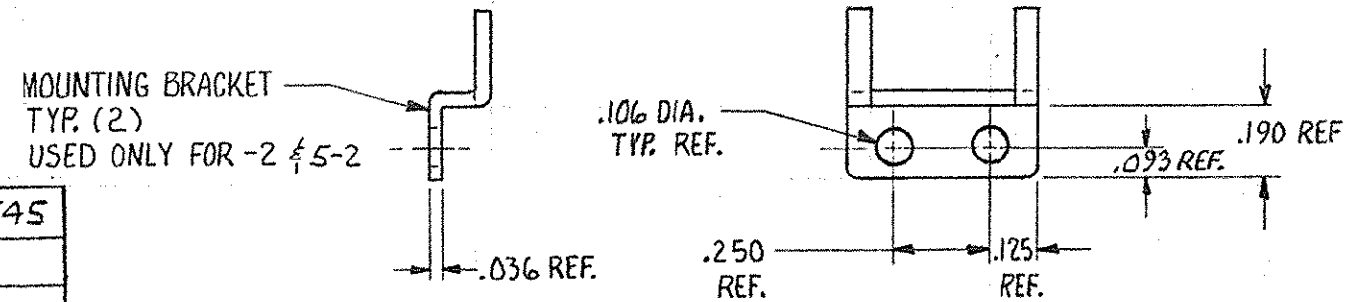
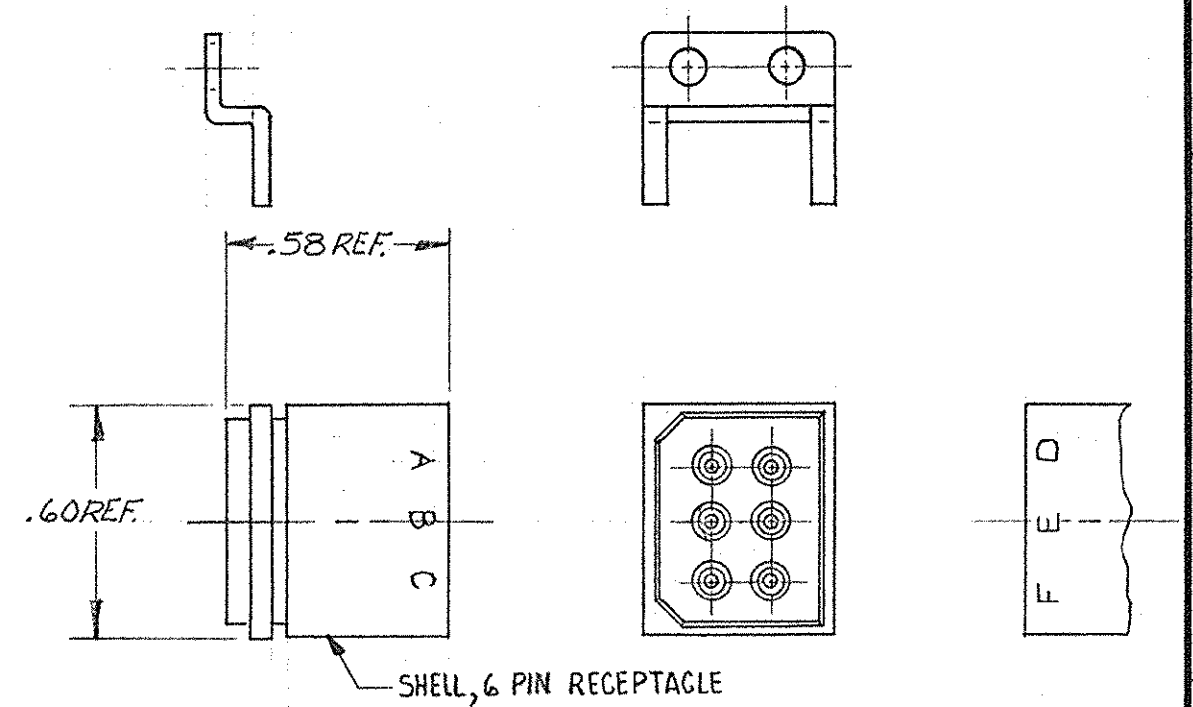
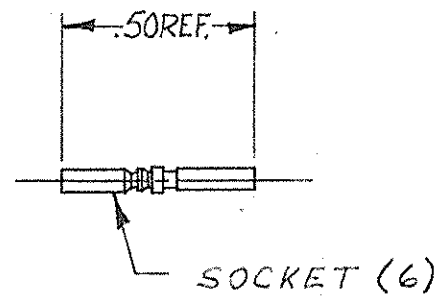
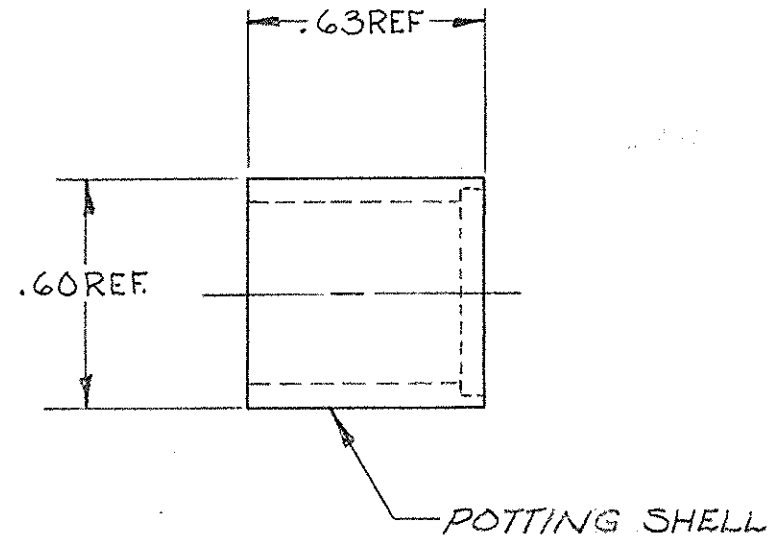


© COPYRIGHT 1974 BY AMP INCORPORATED, HARRISBURG, PA.
 ALL INTERNATIONAL RIGHTS RESERVED. AMP INCORPORATED PRODUCTS
 COVERED BY U.S. AND FOREIGN PATENTS AND/OR PATENTS PENDING.

REVISIONS						
P	F	ZONE	LTR	DESCRIPTION	DATE	APPROVED
			B	REV. & REDRAWN	CK 5-8-74	JPA
	✓		C	ADDED -2	D.S. 2-27-75	JPA
			D	REV PER DH14-0192-05	1-06	PY



5-861393-2	WITH MOUNTING BRACKETS TIN PLATED PER ASTM-B-545
861393-2	WITH MOUNTING BRACKETS 93/7 TIN-LEAD PLATED
861393-1	W/O MOUNTING BRACKETS
PART NO.	DESCRIPTION

1. CAVITY LETTERS MARKED IN WHITE INK.
 2. SEE 862091-1 FOR ASS'Y INSTRUCTIONS.

				UNLESS OTHERWISE SPECIFIED DIMENSIONS ARE IN INCHES. TOLERANCES: .00 ± .000 ± ANGLES ±		CONTRACT NO DR <i>C. KUSTER 5-8-74</i>		AMP INCORPORATED Elizabethtown, Pa.	
				MATERIAL		CHK		NAME <i>RECEPTACLE ASS'Y KIT LGH</i>	
				FINISH		APPD <i>J. Coleman 5-9-74</i>		SIZE B	
NEXT ASSY		FINAL ASSY		NEXT ASSY		USED ON		CODE IDENT NO 00779	
QTY REQD		APPLICATION				DESIGN APPD		NUMBER 861393	
						OTHER APPD		SCALE 2:1	
								WT	
								SHEET 1 OF 1	