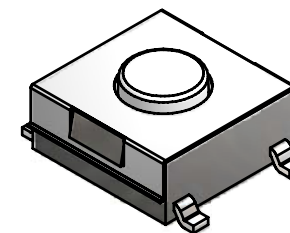
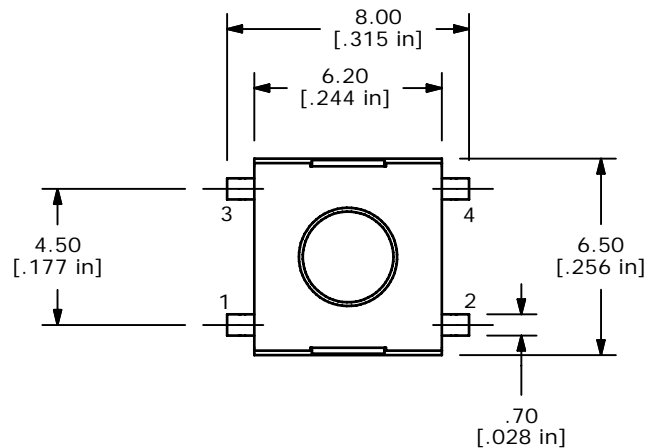


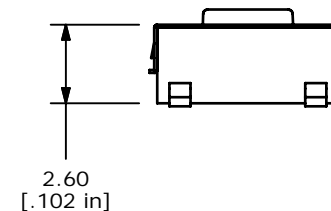
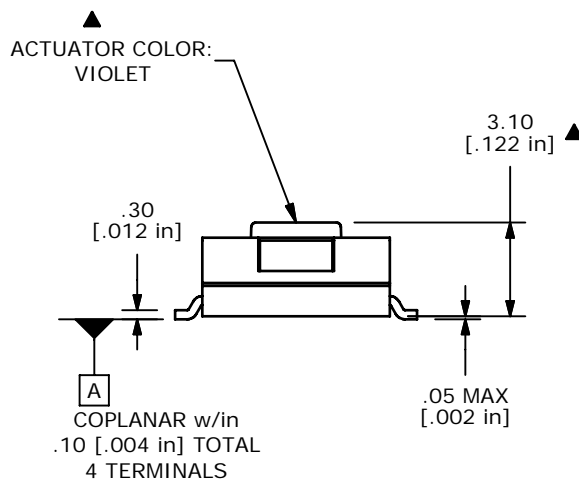
CIRCUIT: SPST

NOTES:

1. ALL DIMENSIONS IN MM [INCH]
2. GENERAL TOLERANCE: X.X±0.4  
X.XX±0.25
3. TERMINAL NUMBERS FOR REF ONLY.
4. RATING: 50mA, @ 12VDC
5. TRAVEL: 0.25 + 0.2mm / - 0.1mm
6. CONTACT RESISTANCE: 100mΩ MAX INITIAL.
7. LIFE EXPECTANCY: 5,000,000 CYCLES
8. INSULATION RESISTANCE: 100MΩ MIN.
9. DIELECTRIC STRENGTH: 250VAC
10. OPERATING TEMP: -20° C TO 70° C
11. CONTACTS: SILVER PLATED
- ▲12. OPERATING FORCE: 65 ± 15 gf
13. ▲ DENOTES CRITICAL PARAMETER.
- ▲14. PACKAGING: TAPE AND REEL, 1500 PIECES PER REEL
15. 2002/95/EC (ROHS) COMPLIANT
- ▲16. CONTACT HEIGHT DIFFERENCE TO BE .05+0.2/-0.0MM'S.



ISOMETRIC



B	20586	Add note 16	5/1/12	rc
A	18367	RELEASE FOR PRODUCTION	12/26/08	BLR
REV	PCR NO	DESCRIPTION	DATE	BY

TITLE LL3303F065QG				
SCALE	DATE	DR	DWG	REV
4:1	12/26/2008	BLR	P090008	B

THE INFORMATION CONTAINED IN THIS DOCUMENT IS PROPRIETARY TO E-SWITCH AND IS NOT TO BE COPIED OR TRANSFERRED