

MATERIAL NUMBER	# OF COLUMNS	# OF DIFF PAIR	DIM "A" MAX	DIM "B"	PTH ϕ
170540-3*08	8	48	22.80	13.30	0.46 ± 0.05
170540-3*10	10	60	26.60	17.10	
170540-3*16	16	96	38.00	28.50	
170540-3*38	8	48	22.80	13.30	0.39 ± 0.05
170540-3*20	10	60	26.60	17.10	
170540-3*26	16	96	38.00	28.50	

170540-3***

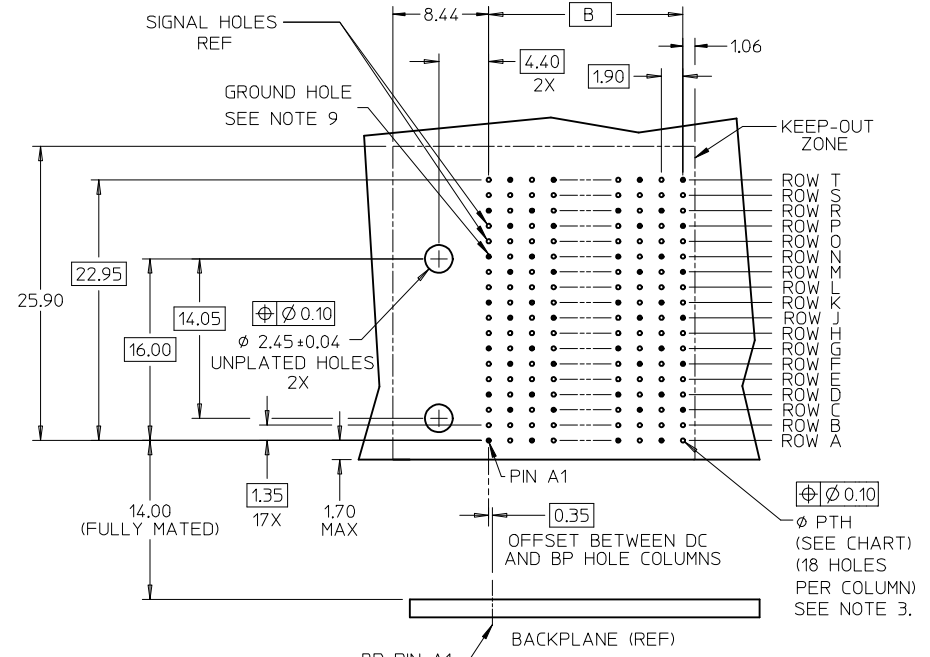
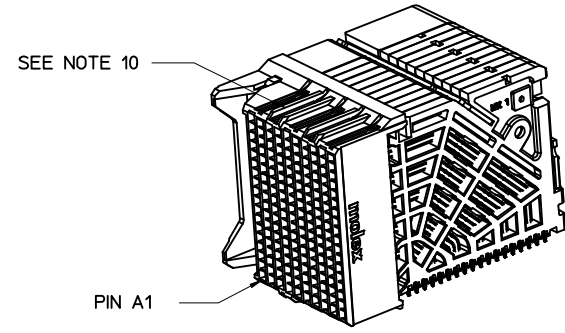
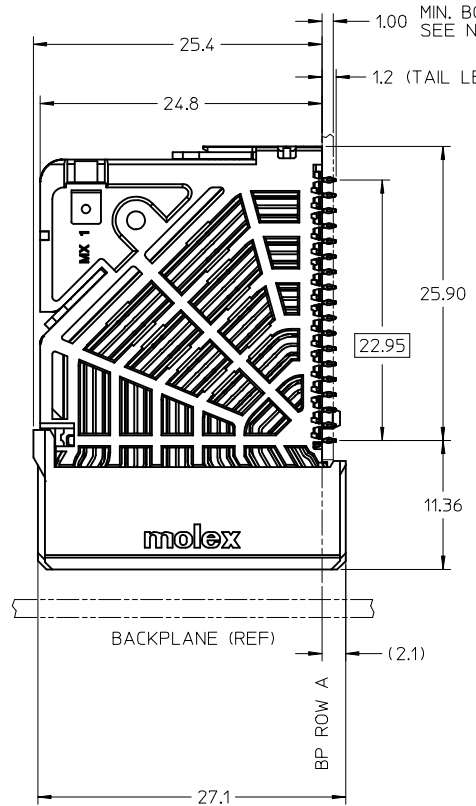
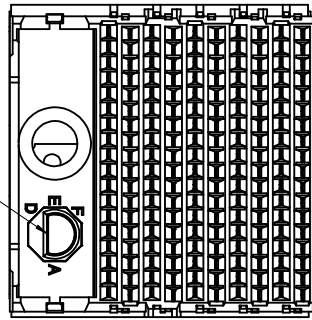
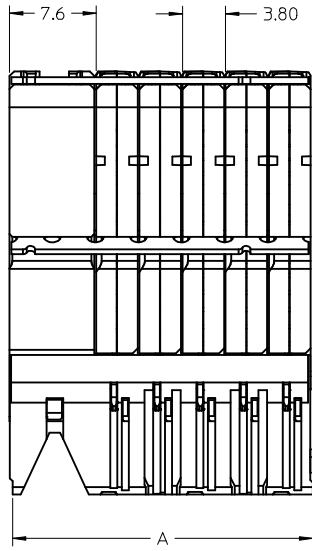
MODULE & TAIL PLATING TYPE
3 = LEFT GUIDED, LEAD-FREE

POLARIZATION KEY ORIENTATION

- 0 = NO KEY
- 1 = A
- 2 = B
- 3 = C
- 4 = D
- 5 = E
- 6 = F
- 7 = G
- 8 = H

- # OF COLUMNS
- 08 = 8 COL 0.46 PTH
 - 10 = 10 COL 0.46 PTH
 - 16 = 16 COL 0.46 PTH
 - 20 = 10 COL 0.39 PTH
 - 26 = 16 COL 0.39 PTH
 - 38 = 08 COL 0.39 PTH

SEE SHEET 1 EC NO: UCP2014-4599 DRWN:PREMO CHKD:TELO APPR:TELO	2014/05/05 2014/05/05 2014/05/14	DESCRIPTION REV	QUALITY SYMBOLS	GENERAL TOLERANCES (UNLESS SPECIFIED)	DIMENSION STYLE	SCALE	DESIGN UNITS	THIRD ANGLE PROJECTION																		
			$\nabla = 0$ $\nabla = 0$ $\nabla = 0$	<table border="1"> <tr> <th></th> <th>mm</th> <th>INCH</th> </tr> <tr> <td>4 PLACES</td> <td>\pm ---</td> <td>\pm ---</td> </tr> <tr> <td>3 PLACES</td> <td>\pm ---</td> <td>\pm ---</td> </tr> <tr> <td>2 PLACES</td> <td>± 0.13</td> <td>\pm ---</td> </tr> <tr> <td>1 PLACE</td> <td>± 0.25</td> <td>\pm ---</td> </tr> <tr> <td>0 PLACE</td> <td>\pm</td> <td>\pm</td> </tr> </table>		mm	INCH	4 PLACES	\pm ---	\pm ---	3 PLACES	\pm ---	\pm ---	2 PLACES	± 0.13	\pm ---	1 PLACE	± 0.25	\pm ---	0 PLACE	\pm	\pm	MM ONLY	3:1	METRIC	
				mm	INCH																					
			4 PLACES	\pm ---	\pm ---																					
3 PLACES	\pm ---	\pm ---																								
2 PLACES	± 0.13	\pm ---																								
1 PLACE	± 0.25	\pm ---																								
0 PLACE	\pm	\pm																								
DRAWN BY: JLAURX CHECKED BY: TELO APPROVED BY: TELO	DATE: 2010/09/29 DATE: 2010/10/01 DATE: 2012/08/23	TITLE: IMPACT 6 PAIR PLUS 850HM DAUGHTERCARD SIGNAL GUIDE LEFT SALES DWG																								
MATERIAL NO. SEE CHART	DOCUMENT NO. SD-170540-0002	SHEET NO. 2 OF 2																								



DAUGHTERCARD HOLE PATTERN (CONNECTOR SIDE)

- NOTES:
1. MATERIALS: HOUSING - LIQUID CRYSTAL POLYMER (LCP), GLASS-FILLED, UL94V-0
TERMINALS - HIGH PERFORMANCE COPPER ALLOY
 2. FINISH: 10µN MIN GOLD IN CONTACT AREA, SELECTIVE TIN
ON PCB TAILS, NICKEL OVERALL.
 3. REFER TO MOLEX PRODUCT SPEC PS-170540-999 FOR PERFORMANCE SPECIFICATIONS
AND ADDITIONAL PCB INFORMATION.
 4. EACH SIGNAL WAFER CONTAINS 2 COLUMNS OF TERMINALS.
 5. PRODUCT IS PACKAGED PER PK-70873-589.
 6. THIS PART CONFORMS TO CLASS B REQUIREMENTS OF COSMETIC SPEC PS-45499-002.
 7. REFER TO MOLEX SALES DRAWING SD-170535-0002 AND RSD-170532-XXXX FOR THE
MATING HEADERS.
 8. REFER TO MOLEX ROUTING GUIDE AS-76060-990 FOR ANTIPAD AND ROUTING
RECOMMENDATIONS.
 9. GROUND PATHS ARE NOT DISCRETE CIRCUITS WITHIN CONNECTOR DUE TO PRESENCE
OF PLUS CLIP.
 10. PART NUMBER 170540-3720 SHOWN ON DRAWING. KEYING FEATURES WILL CHANGE
WITH COLUMN SIZE.
 11. MINIMUM BOARD THICKNESS IS 1.0 mm FOR COMPLIANT PIN FUNCTIONALITY.
 12. WHEN USING MOLEX SUPPLIED #2-32 SCREW 73726-0000 (9.50 NOMINAL
THREADABLE SCREW LENGTH), THE MAXIMUM BOARD THICKNESS IS 4.4 mm.

INITIAL CREATION MAPS PLATING EC NO: UCP2015-3240 DRW:MKRAUSE 2015/02/09 CHKD: TELO APPR:TELO 2015/03/02	QUALITY SYMBOLS	GENERAL TOLERANCES (UNLESS SPECIFIED)	DIMENSION STYLE MM ONLY	SCALE 3:1	DESIGN UNITS METRIC	THIRD ANGLE PROJECTION
	▽=0	mm INCH	DRAWN BY DATE MKRAUSE 2015/02/09	TITLE IMPACT 6 PAIR PLUS 850HM DC SIGNAL MAPS GUIDE LEFT SALES DWG	molex DOCUMENT NO. SD-173120-0002	SHEET NO. 1 OF 2
	▽=0	4 PLACES ± --- ± --- 3 PLACES ± --- ± --- 2 PLACES ± 0.13 ± --- 1 PLACE ± 0.25 ± --- 0 PLACE ± ±	CHECKED BY DATE	APPROVED BY DATE TELO 2015/03/02		
	▽=0	ANGULAR ±1/2°	DRAFT WHERE APPLICABLE MUST REMAIN WITHIN DIMENSIONS	MATERIAL NO. SEE CHART	THIS DRAWING CONTAINS INFORMATION THAT IS PROPRIETARY TO MOLEX INCORPORATED AND SHOULD NOT BE USED WITHOUT WRITTEN PERMISSION	

MATERIAL NUMBER	# OF COLUMNS	# OF DIFF PAIR	DIM "A" MAX	DIM "B"	PTH ϕ
173120-3*08	8	48	22.80	13.30	0.46 ± 0.05
173120-3*10	10	60	26.60	17.10	
173120-3*16	16	96	38.00	28.50	
173120-3*38	8	48	22.80	13.30	0.39 ± 0.05
173120-3*20	10	60	26.60	17.10	
173120-3*26	16	96	38.00	28.50	

173120-3***

MODULE & TAIL PLATING TYPE
3 = LEFT GUIDED, LEAD-FREE

POLARIZATION KEY ORIENTATION

- 0 = NO KEY
- 1 = A
- 2 = B
- 3 = C
- 4 = D
- 5 = E
- 6 = F
- 7 = G
- 8 = H

- # OF COLUMNS
- 08 = 8 COL 0.46 PTH
 - 10 = 10 COL 0.46 PTH
 - 16 = 16 COL 0.46 PTH
 - 20 = 10 COL 0.39 PTH
 - 26 = 16 COL 0.39 PTH
 - 38 = 08 COL 0.39 PTH

SEE SHEET 1 EC NO: UCP2015-3240 DRAWN: MKRAUSE 2015/02/09 CHKD: APPR: TELO 2015/03/02	QUALITY SYMBOLS	GENERAL TOLERANCES (UNLESS SPECIFIED)	DIMENSION STYLE	SCALE	DESIGN UNITS	THIRD ANGLE PROJECTION	
		mm INCH	MM ONLY	3:1	METRIC		
		4 PLACES \pm --- \pm ---	DRAWN BY DATE	TITLE IMPACT 6 PAIR PLUS 850HM DC SIGNAL MAPS GUIDE LEFT SALES DWG			
		3 PLACES \pm --- \pm ---	MKRAUSE 2015/02/09				
	2 PLACES ± 0.13 \pm ---	CHECKED BY DATE	DOCUMENT NO. SD-173120-0002				
	1 PLACE ± 0.25 \pm ---	TELO 2015/03/02					
	0 PLACE \pm \pm ---	APPROVED BY DATE	SHEET NO. 2 OF 2				
	ANGULAR $\pm 1/2^\circ$	TELO 2015/03/02					
	DRAFT WHERE APPLICABLE MUST REMAIN WITHIN DIMENSIONS	MATERIAL NO.	THIS DRAWING CONTAINS INFORMATION THAT IS PROPRIETARY TO MOLEX INCORPORATED AND SHOULD NOT BE USED WITHOUT WRITTEN PERMISSION				
		SEE CHART					