

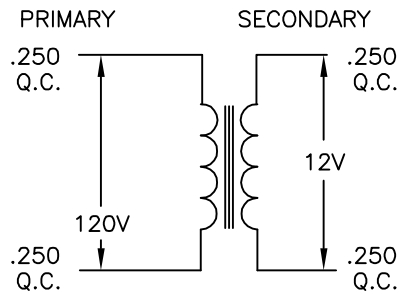
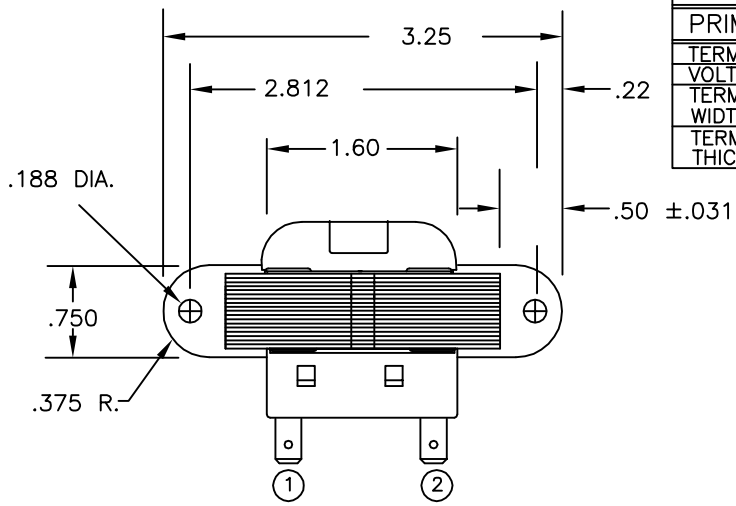
THIS DRAWING IS UNPUBLISHED. RELEASED FOR PUBLICATION  
 © COPYRIGHT - BY TYCO ELECTRONICS CORPORATION. ALL RIGHTS RESERVED.

LOC	DIST	REVISIONS					
GZ	00	P	LTR	DESCRIPTION	DATE	DWN	APVD
		A		NEW FORMAT & EC0720-0114-04	23FEB04	MD	KH

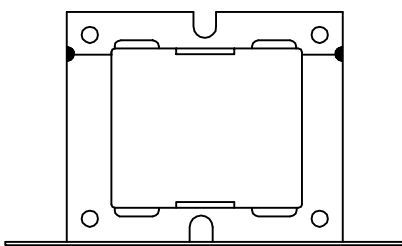
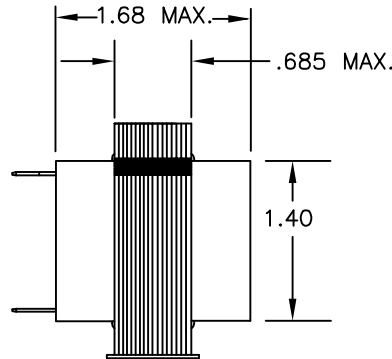
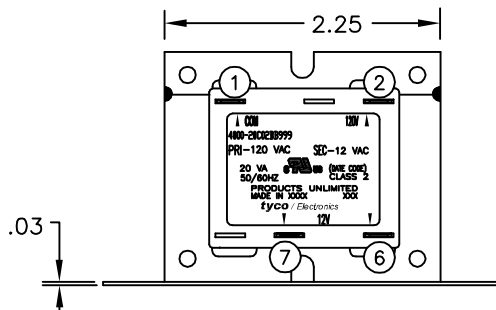
PRIMARY			
TERMINAL NO.	1	2	3
VOLTAGE	COM	120	
TERMINAL WIDTH	.250	.250	
TERMINAL THICKNESS	.032	.032	

- NOTES  
 1. DIMENSIONS FOR REFERENCE ONLY.  
 2. WINDING PROTECTION—INHERENTLY LIMITING

SECONDARY		
TERMINAL NO.	6	7
VOLTAGE	12	VAC
TERMINAL WIDTH	.250	.250
TERMINAL THICKNESS	.032	.032



ALL Q.C. .250 X .032



CUST. NO.	TYCO PART NUMBER
-	7-1611449-1

THIS DRAWING IS A CONTROLLED DOCUMENT.		DWN	M.DAVIS	23FEB04	Products UNLIMITED	Tyco Electronics Corporation	
		CHK	K.HOLSCHUH	23FEB04		Harrisburg, Pa 17105-3608	
		APVD	K.HOLSCHUH	23FEB04	NAME		
		PRODUCT SPEC			TRANSFORMER OUTLINE		
		APPLICATION SPEC			-		
		WEIGHT			-		
		SIZE	A3	CAGE CODE	00779	DRAWING NO	C=4000-20C02BB999
		CUSTOMER DRAWING		SCALE	NTS	SHEET	1 OF 1
				REV	A		

DIMENSIONS:	TOLERANCES UNLESS OTHERWISE SPECIFIED:
INCHES	
0 PLC	± .
1 PLC	± .
2 PLC	± .
3 PLC	± .
4 PLC	± .
ANGLES	± 1°

MATERIAL	FINISH
-	-