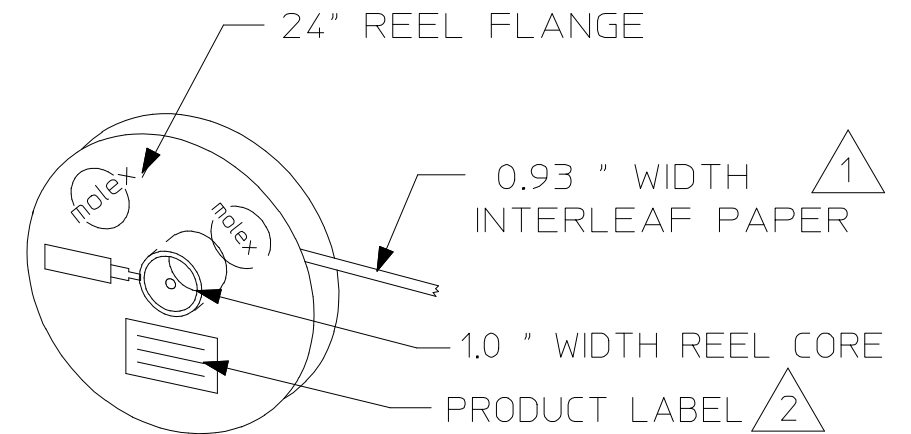
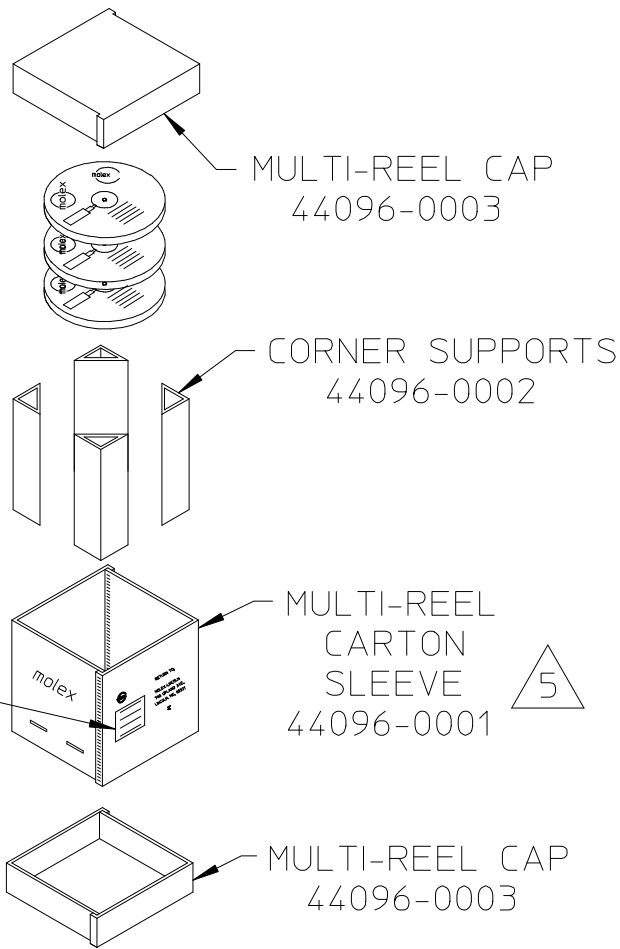
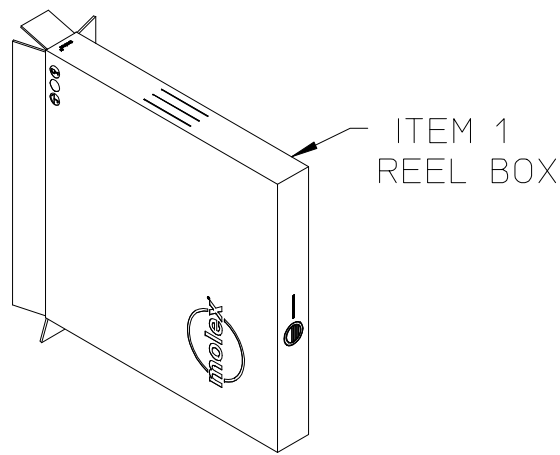
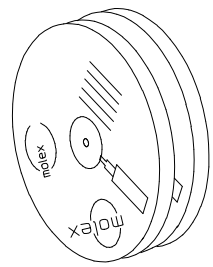


REELS PER CARTON	ITEM NUMBER	ENGINEERING NUMBER	MATERIAL NUMBER
1	1	085-01-0015	85-01-0015
2		085-02-0024	85-02-0024
3		085-02-0003	85-02-0003
4		70180-0463	85-02-0010
6		31301-2320	31301-2320

PACKAGING COMPONENT	ENGINEERING NUMBER	MATERIAL NUMBER	QUANTITY
REEL CORE <sup>3</sup>	30907-6481	30907-6481	1
REEL FLANGE	70180-0676	85-06-5024	2
INTERLEAF PAPER	70180-1823	85-11-0004	SEE NOTE 1



PRODUCT LABEL <sup>2</sup>

NOTES:

- <sup>1</sup>. INTERLEAF PAPER SHOULD BE USED FOR THE ENTIRE REEL. (REF.: ES-40000-7005)
- <sup>2</sup>. PRODUCT LABEL TO BE ATTACHED AT THIS APPROXIMATE LOCATION. (REF ES-40000-7012)
- <sup>3</sup>. REEL CORE IS CUT TO WIDTH AS INDICATED.
4. REELS MAY BE SHIPPED IN SLEEVE ASSEMBLY OR INDIVIDUAL REEL BOXES, DEPENDING ON THE QUANTITY OF THE WORK ORDER.
- <sup>5</sup>. MULTI-REEL CARTON SLEEVE MAY BE CUT TO SIZE TO ACCOMMODATE LESS THAN FULL CARTON QUANTITIES.

WIRE GAUGE	REELS PER 440961000 FULL CYLINDER	FULL CYLINDER QUANTITY
14/16	23	97750
12	23	92000

440961000 CYLINDER SLEEVE ASSEMBLY

MATERIAL NUMBER	WIRE GAUGE	TERMINALS PER REEL	REELS PER 31301-2320 CARTON	FULL CARTON QUANTITY (SPQ)
76823-0321	14/16	4250	6	25500
76823-0322	12	4000	6	24000

MATERIAL NUMBER	WIRE GAUGE	TERMINALS PER REEL	REELS PER 85010015 CARTON	FULL CARTON QUANTITY (SPQ)
172063-*311	14/16	4250	1	4250
172063-*312	12	4000	1	4000

CHANGE TIN SPQ  
 EC NO: UCP2015-0652  
 DRWN: DFOX 2014/08/14  
 CHKD: JBELL 2014/08/14  
 APPR: FSMITH 2014/08/25

QUALITY SYMBOLS  
 $\nabla_A = 0$   
 $\nabla_F = 0$   
 $\nabla_E = 0$

DESCRIPTION  
 A4

	GENERAL TOLERANCES (UNLESS SPECIFIED)	
	mm	INCH
4 PLACES	± ---	± ---
3 PLACES	± ---	± ---
2 PLACES	± 0.13	± ---
1 PLACE	± 0.25	± ---
0 PLACE	± ---	± ---
ANGULAR ±1/2°		
DRAFT WHERE APPLICABLE MUST REMAIN WITHIN DIMENSIONS		

DIMENSION STYLE MM ONLY	
DRAWN BY	DATE
MKARADIMAS	2012/07/11
CHECKED BY	DATE
APPROVED BY	DATE
APATEL	2012/08/17
MATERIAL NO.	
N/A	
SIZE	B

SCALE DESIGN UNITS METRIC

THIRD ANGLE PROJECTION

TITLE  
**PACKAGING SPECIFICATION  
 MEGA-FIT 76823 SERIES**

**molex**

DOCUMENT NO. PK-76823-001 SHEET NO. 1 OF 1

THIS DRAWING CONTAINS INFORMATION THAT IS PROPRIETARY TO MOLEX INCORPORATED AND SHOULD NOT BE USED WITHOUT WRITTEN PERMISSION