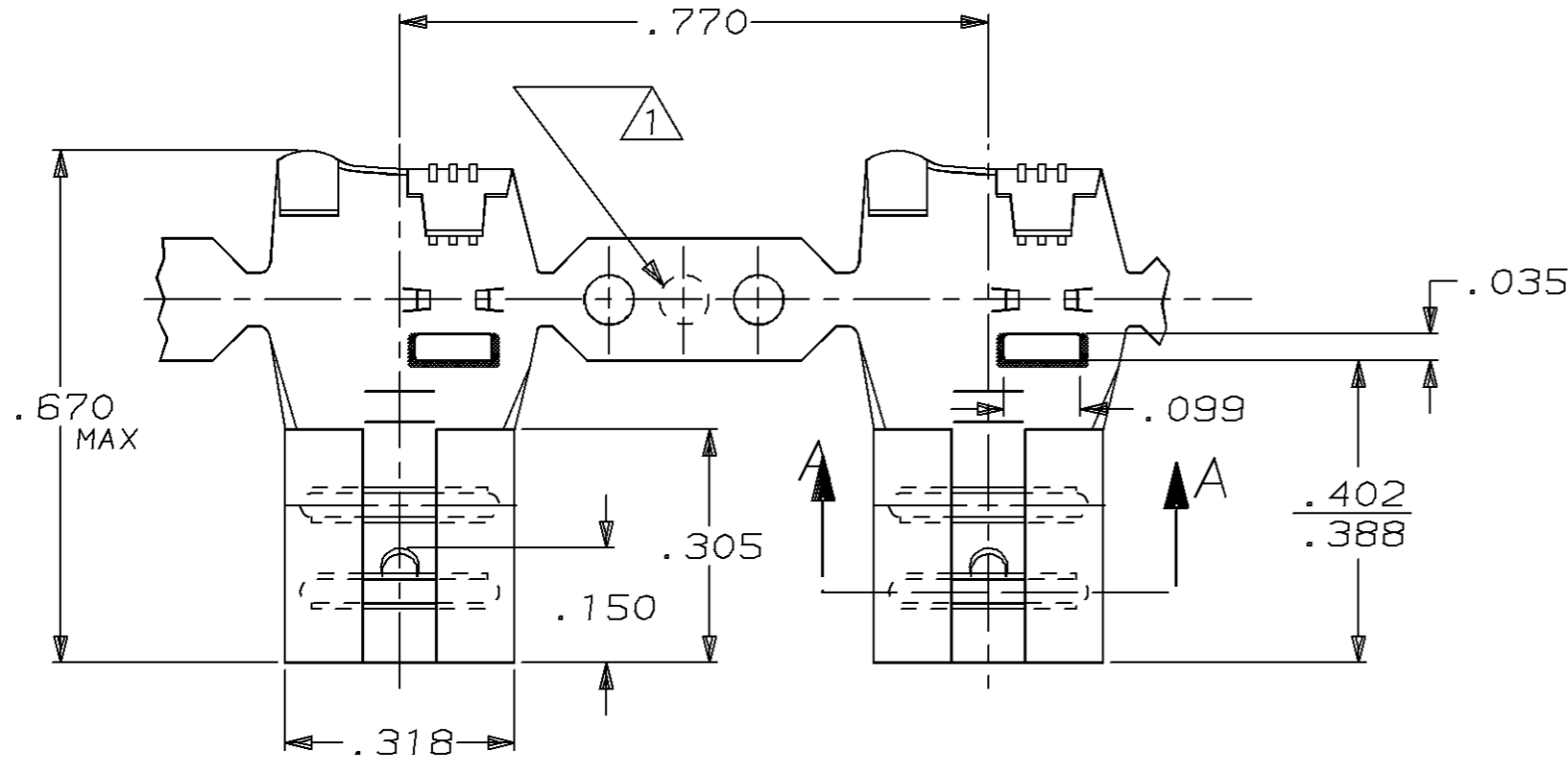
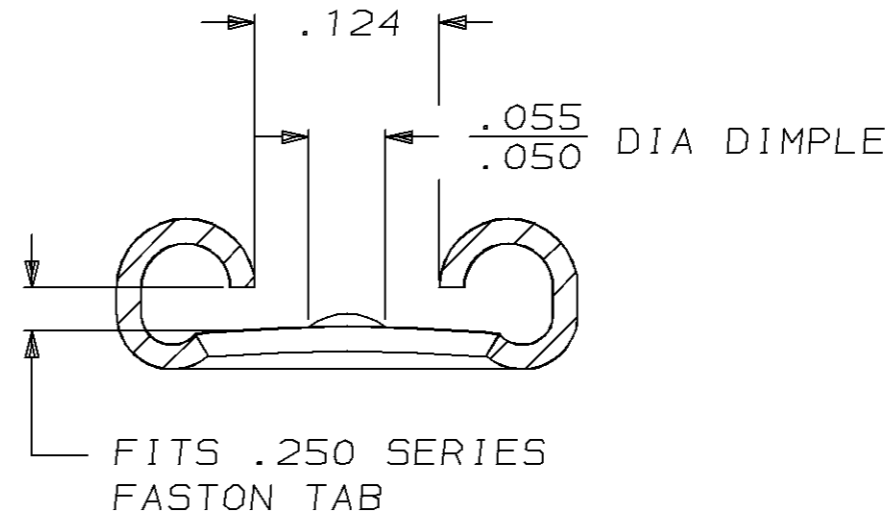


THIS DRAWING IS UNPUBLISHED. RELEASED FOR PUBLICATION, 19  
 © COPYRIGHT 19 BY AMP INCORPORATED. ALL INTERNATIONAL RIGHTS RESERVED.

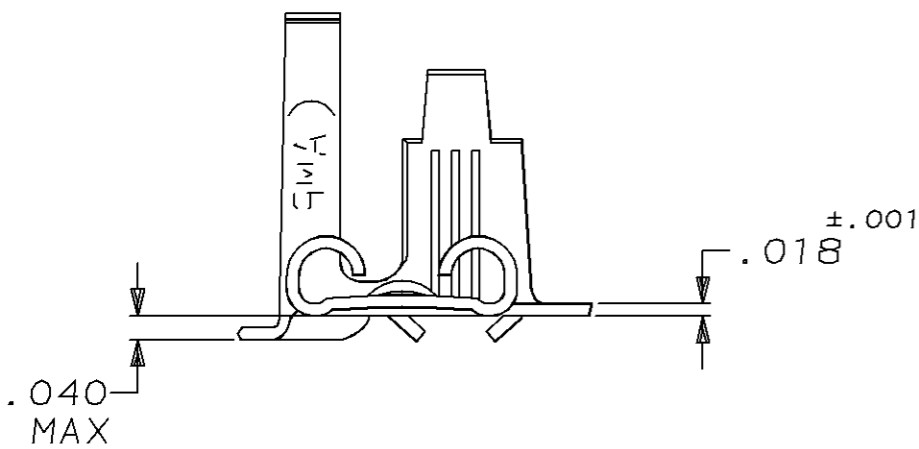
LOC	DIST	P	F	ZONE	LTR	REVISIONS	DATE	APPD
AF	50				U	NO CHANGE PER 0710-0498-95	11/14/95	JR/PD



- 1 SINGLE OR DOUBLE PILOT HOLE OPTIONAL
- 2 MAX FIRST INSERTION FORCE, 20 LBS. USING GAGE 100505.



SECTION A-A  
SCALE 8:1



.110-.210	18-12	.032	41800
INSULATION RANGE	WIRE SIZE	MATING TAB THK ±.001	PART NO
DO NOT SCALE PRINT. UNLESS SPECIFIED DIMENSIONS IN INCHES TOLERANCES ON: 2 PLC DEC ± - 3 PLC DEC ± .015 ANGLES ± -	DR 7/12/89 JR RUTH CHK 7/12/89 MS FEHER APPD 7/12/89 C MEYERS APPD 7/12/89 R KUZO PRODUCT SPEC -	<b>AMP</b> AMP INCORPORATED Harrisburg, Pa. 17105 NAME RECEPTACLE, FASTON, FLAG, .250 SERIES	
MATERIAL #3H PHOS BRZ	APPLICATION SPEC - WEIGHT -		
FINISH TIN	SCALE 4:1	CAGE CODE 00779	DRAWING NO 41800
		SHEET 1 OF 1	