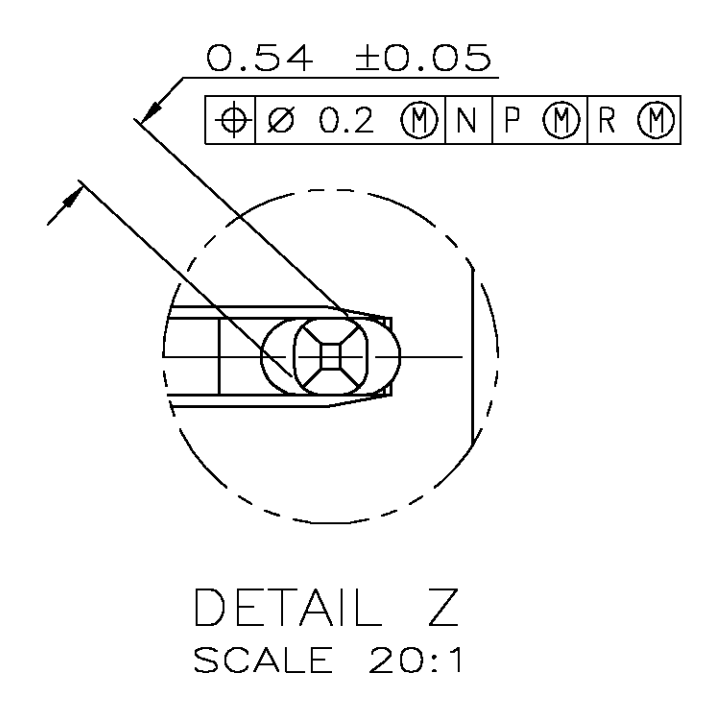


RECOMMENDED CIRCUIT PATTERN  
 PER IPC-D300 TYPE II, CLASS C  
 (COMPONENT SIDE)

- 1 HOUSING MATERIAL: LIQUID CRYSTAL POLYMER PER ASTM D5138 LCP000 G30A 32250, COLOR: NATURAL.
- 2 CONTACT MATERIAL: PHOSPHOR BRONZE PER UNS ALLOY NO. C51100, TEMPER: H04.
- 3 CONTACT FINISH:(D)  
 UNDERPLATE (ENTIRE CONTACT):  
 0.00127 MIN NICKEL PER SAE-AMS-QQ-N-290  
 ON MATING SURFACES:  
 FLASH GOLD PER ASTM B 488, OVER  
 0.00076 MIN PALLADIUM-NICKEL OVER UNDERPLATE, OR  
 0.00076 MIN GOLD PER ASTM B 488 OVER UNDERPLATE.  
 ON LEADS:  
 0.00127 MIN MATTE TIN PER ASTM B 545 OVER UNDERPLATE.  
 LUBRICATION (MIN MATING SURFACES):  
 SURFACE CONDITIONER AFTER PLATING.
- 4 PART MARKING LOCATED APPROXIMATELY AS SHOWN.

ROW	D	AA	AA
C		AB	AB
B		AC	AC
A		AC	AC
1 2 3 4 5 6			
POWER			
POSITION			

CODE LETTER	MATING POST LENGTH ±0.1	LEAD LENGTH (REF)
AC	8	4.25
AB	7.25	4.25
AA	6.5	4.25



6	1	10	5	11.88	3	8	5536622-1
E	D	C	B	A	FINISH	NO OF POWER POSN	PART NUMBER

THIS DRAWING IS A CONTROLLED DOCUMENT.

DIMENSIONS:	TOLERANCES UNLESS OTHERWISE SPECIFIED:	DMN	01/JUN/95
mm	0 PLC ± -	R	BUCHHEISTER
	1 PLC ± -	CHK	D.R. BAECHTLE
	2 PLC ± ± 0.13[.005]	APVD	D.R. BAECHTLE
	3 PLC ± -	NAME	
	4 PLC ± -	PRODUCT SPEC	
	ANGLES ± -	APPLICATION SPEC	
MATERIAL	FINISH	SIZE	CAGE CODE DRAWING NO
1	2	A1	00779 C=5536622
3		WEIGHT	RESTRICTED TO
		CUSTOMER DRAWING	SCALE 4:1 SHEET 1 OF 1 REV 0

Tyco Electronics Corporation  
 Harrisburg, Pa 17105-3608  
 ASSEMBLY, PIN, POWER, VERTICAL,  
 Z-PACK 2mm FB, 4 ROW,  
 PRESS FIT LEADS, SEQUENCED BY ROW