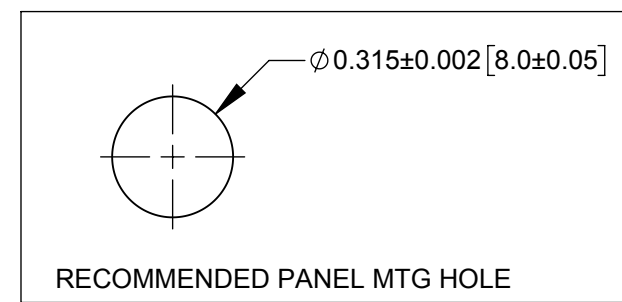
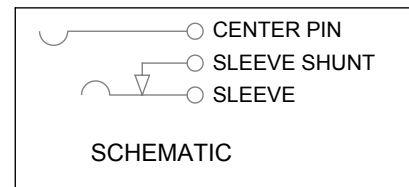
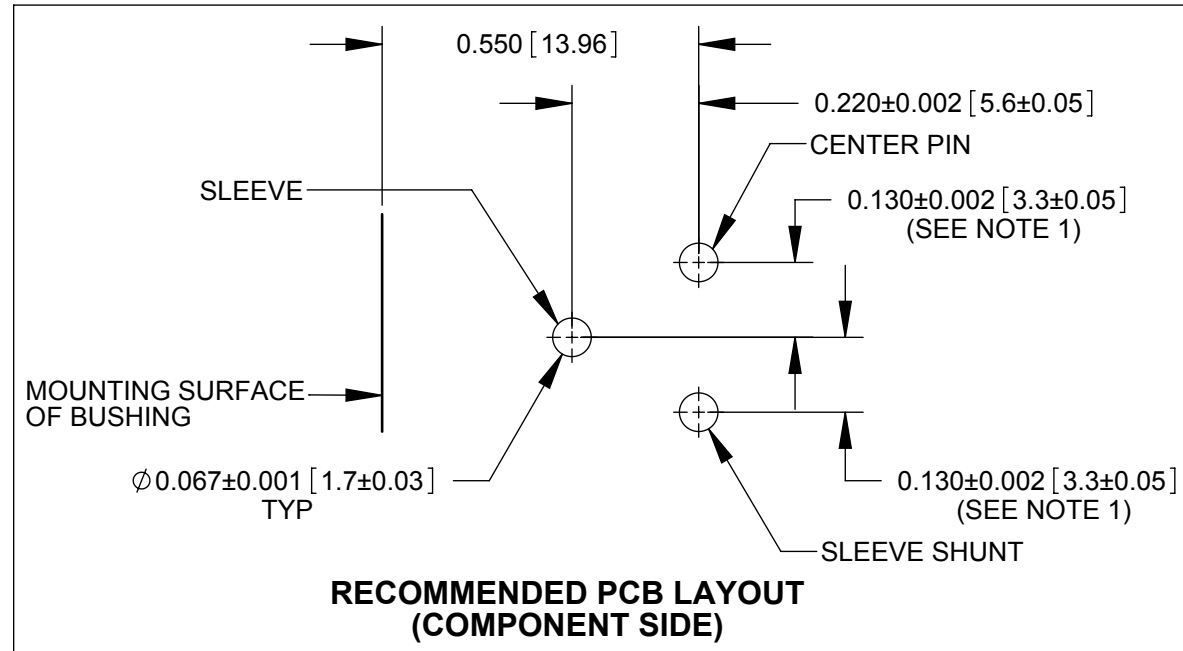
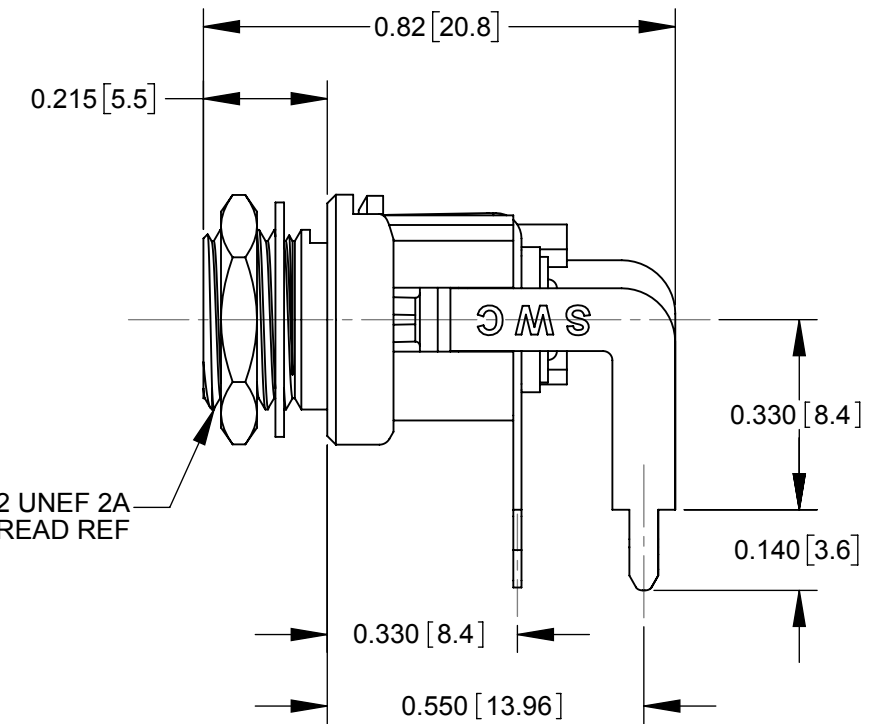
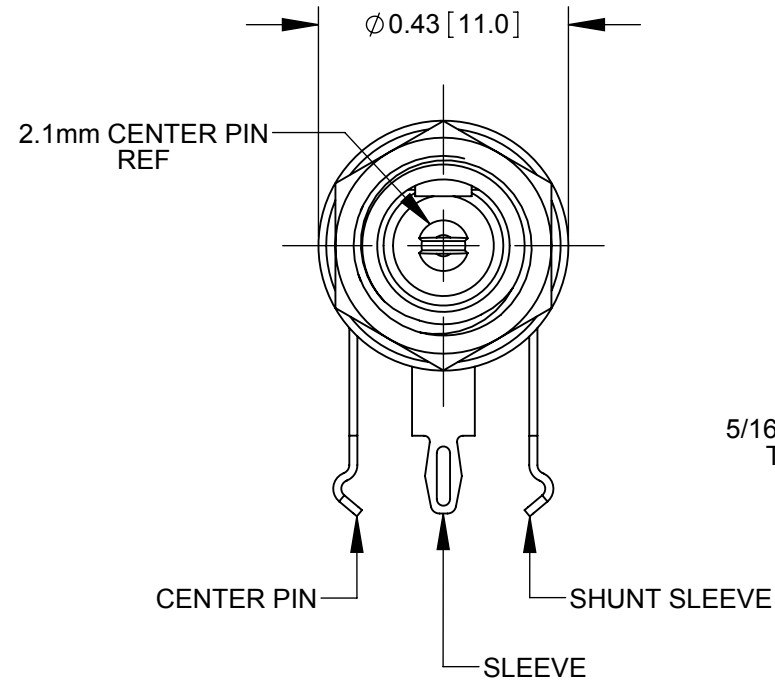


PART NUMBER	DESCRIPTION	SWITCHCRAFT MATING 2.1mm POWER PLUGS
721RA	2.1mm POWER JACK, RIGHT-ANGLE PC	762, 763, 762K, 763K



- NOTES:
- FOR HAND INSERTION USE SPACING 0.130 [3.30]
FOR AUTOMATED INSERTION USE SPACING 0.135 [3.43]
 - DIMENSIONS SHOWN FOR REFERENCE ONLY.
 - HEX NUT AND FLAT WASHER SUPPLIED UNASSEMBLED.
 - MATERIAL:
HOUSING, HEX NUT - COPPER ALLOY, NICKEL PLATED
INSULATOR HOUSING - THERMOPLASTIC
TERMINAL INSULATORS - PHENOLIC
FLAT WASHER - STEEL, NICKEL PLATED
PIN, SPRING, TERMINALS - COPPER ALLOY, SILVER PLATED
 - THESE PRODUCTS ARE RoHS COMPLIANT

CUSTOMER DRAWING

UNLESS OTHERWISE SPECIFIED					THIS DRAWING DESCRIBES A DESIGN CONSIDERED PROPRIETARY IN NATURE, DEVELOPED AND MANUFACTURED BY SWITCHCRAFT INC. AND IS RELEASED ON A CONFIDENTIAL BASIS FOR IDENTIFICATION PURPOSES ONLY.				
					SIZE	WIDTH	MULT	LBS/M	TEMPER
1. ALL DIMENSIONS IN INCHES - TWO PLACE DECIMALS ±0.02 - THREE PLACE DECIMALS ±0.005					FINISH		MATERIAL		
					SPEC No.		SPEC No.		
REVISIONS					FIRST USED ON		SCALE		
					DATE DRAWN		BY		CHKD
0A	PRELIMINARY	02/07/17	PNK	SRC	02/08/17	PNK	02/08/17	02/08/17	
REV	ECO NUMBER	DATE	BY	APVD	NAME		PART No.		
DO NOT SCALE DRAWING					2.1mm POWER JACK RIGHT-ANGLE PC, RoHS				
							SHEET 1 OF 1		REV 0A
							721RA		