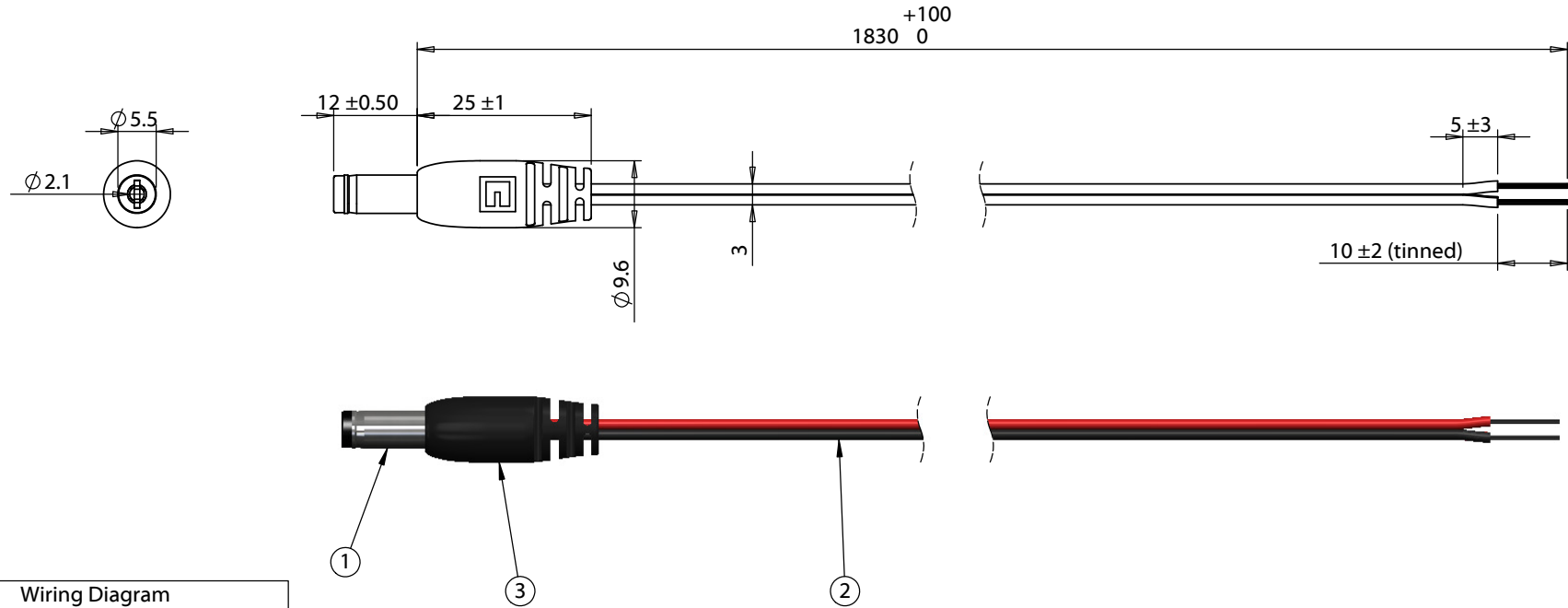


ITEM NO.	PART NUMBER	DESCRIPTION	QTY.	NOTES
1	50-00024	Connector, dc plug, 5.5x2.1xL23 mm, molding style, spring contacts	1	
2	30-00418	Wire, 2C TS, 24 AWG, UL2468, 300V, 80°C, 3.0 mm, VW-1, PVC, 87A, red and black	1	
3	24-00003	Overmold, PVC, black	1	



Wiring Diagram	
50-00026	Wire
Sleeve	Black
Center	Red

REVISION	DATE	DESCRIPTION	PREPARED:	NOTES	<h1>TENSILITY</h1> <p>20802 Sockeye Place #130 Bend, OR 97701 USA tel 541.323.3228 fax 541.323.4202 800 877.670.7118 www.tensility.com</p>				
A	4/10/2015	Initial release		Rated for 4 A, 12 Vdc					
A1	4/30/2015	Updated notes section	VERIFIED:	RoHS and REACH compliant					
			DIMENSIONS ARE IN MILLIMETERS	Function test: no open, no reversed polarity, no short circuit, no INT					
			TOLERANCES: X: ± 0.5 mm X.X: ± 0.3 mm X.XX: ± 0.05 mm	Functionally equivalent components may be used	<table border="1"> <tr> <td>SIZE</td> <td>PART NUMBER</td> </tr> <tr> <td>A</td> <td>10-01936</td> </tr> </table>	SIZE	PART NUMBER	A	10-01936
SIZE	PART NUMBER								
A	10-01936								
				DESCRIPTION: Cable, 1830 mm, 5.5x2.1x12 mm 50-00024 dc plug to stripped tinned, 24 AWG, 30-00418 R-B wire	SCALE: 1:1				
					SHEET 1 OF 1				