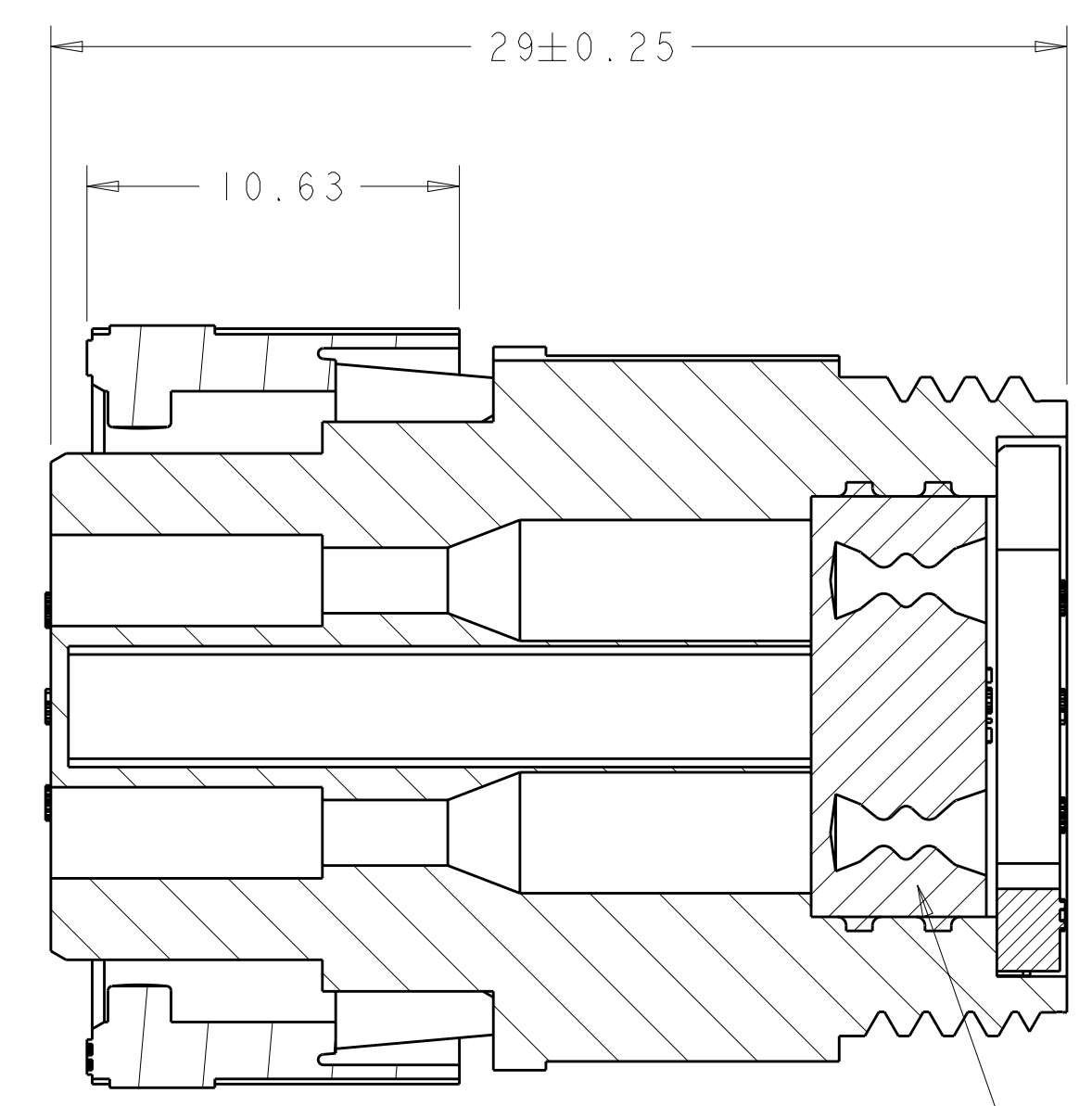
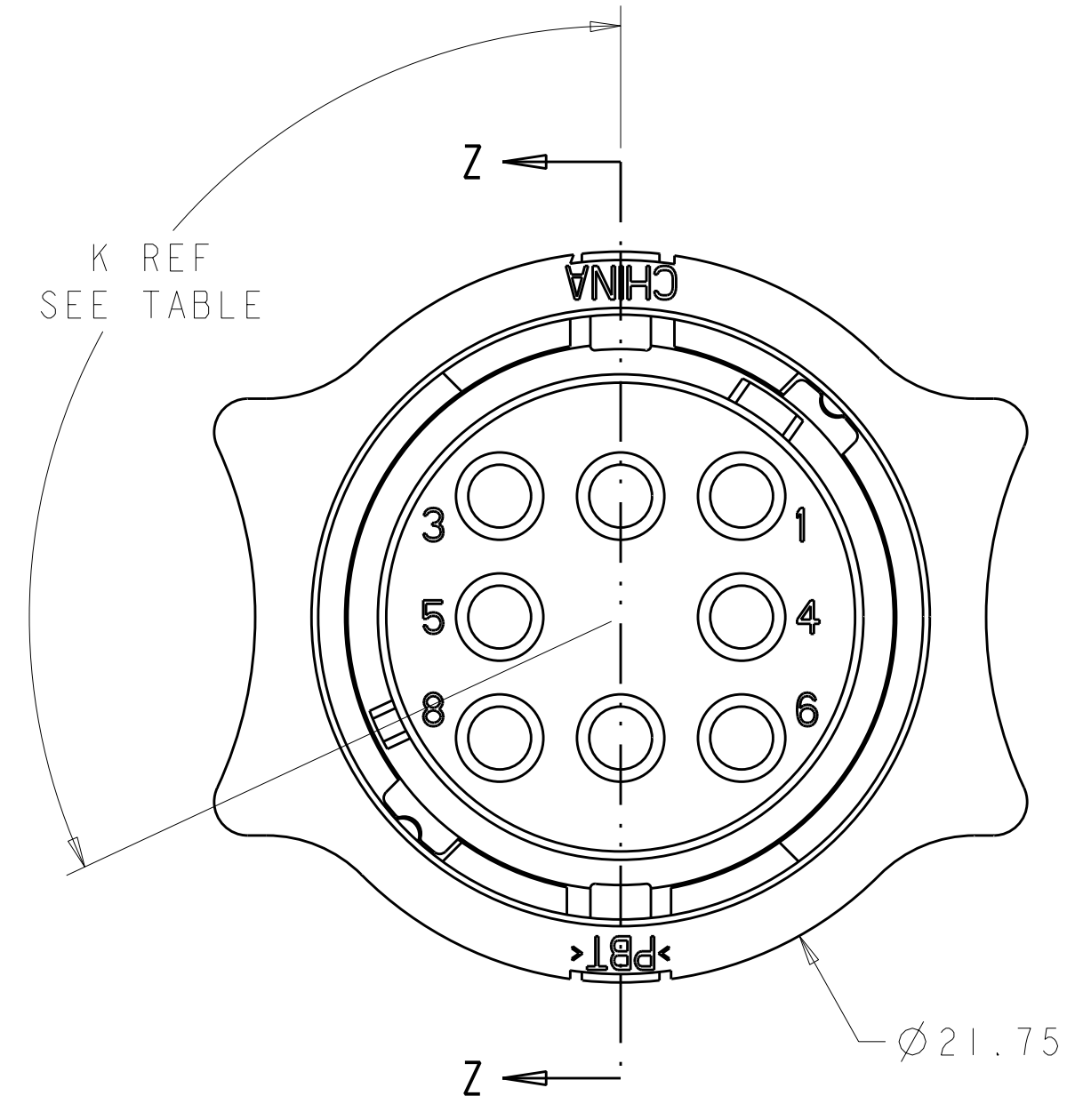
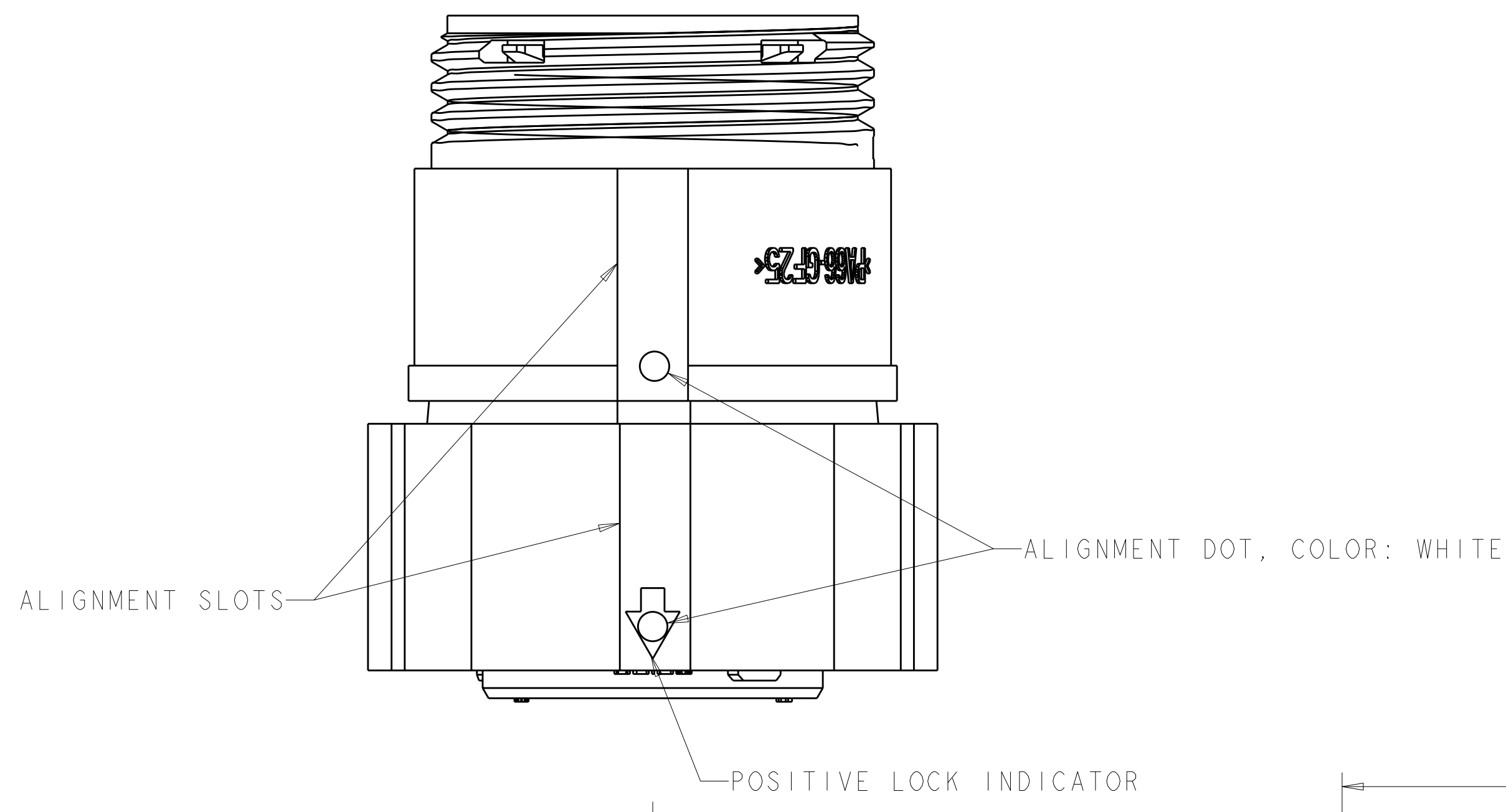
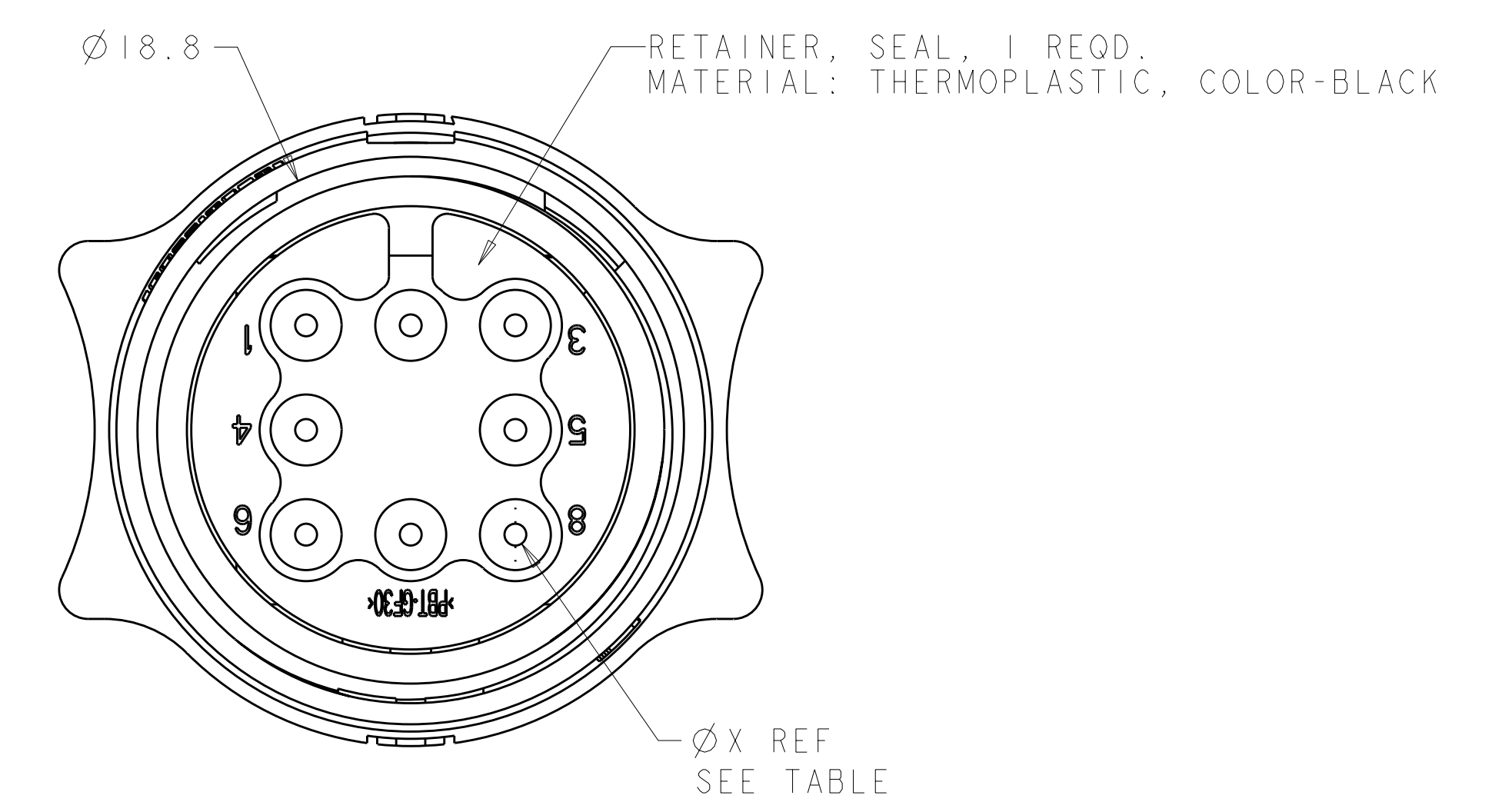


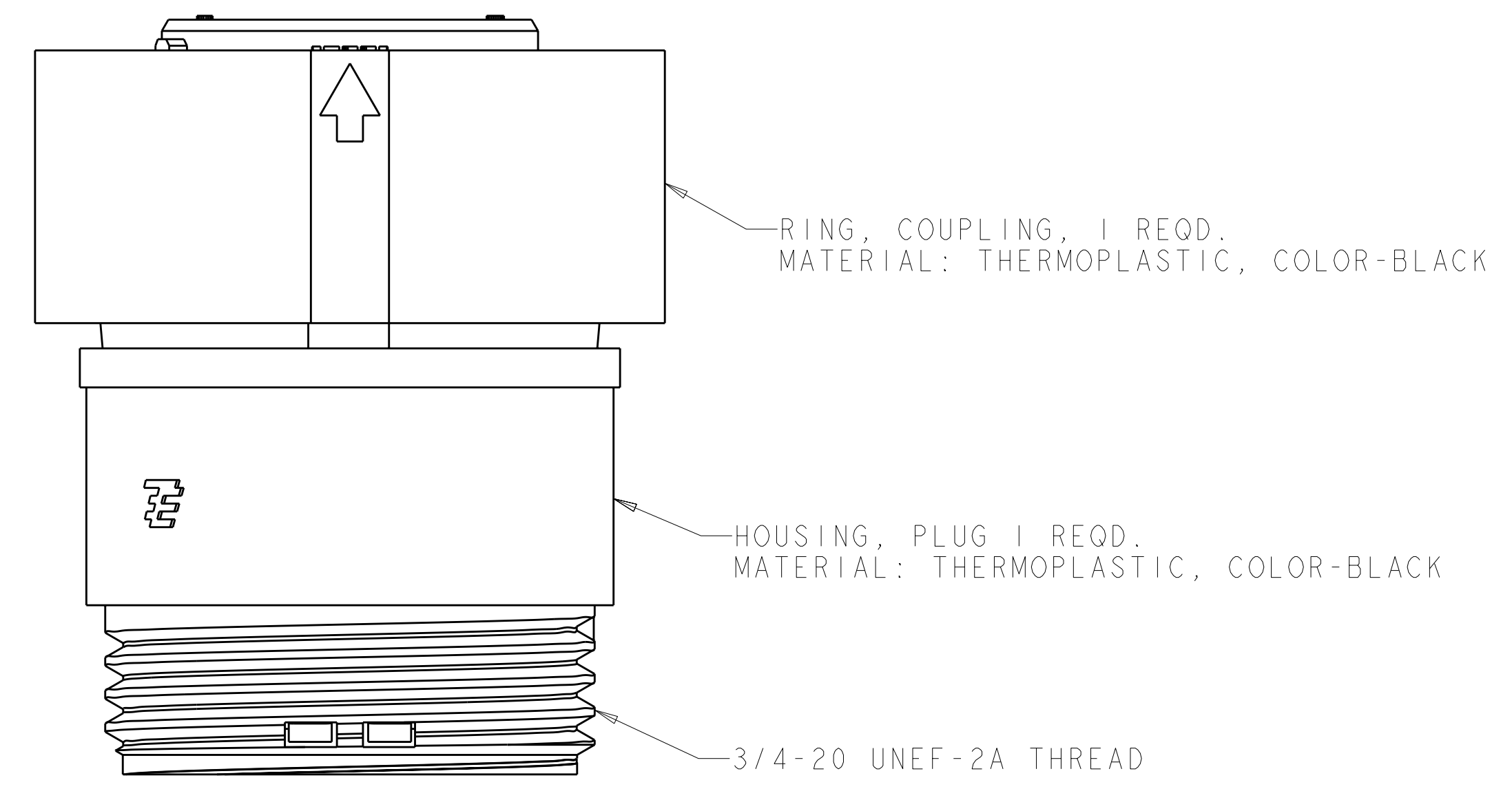
LOC	DIST	REVISIONS			
REV	DATE	DESCRIPTION	DATE	DWN	APVD
0		REVISED ECO-10-014504	22OCT2010	HMR	MG



SECTION Z-Z



SEAL, WIRE ENTRY, 1 REQD.
MATERIAL: ELASTOMER, COLOR-SEE TABLE



QUALIFICATION TEST PENDING

SEAL, WIRE ENTRY COLOR	Ø X REF	K REF	PART NUMBER
YELLOW	Ø 0.75	135°	1445817-4
NATURAL	Ø 1.5	115°	1445817-3
NATURAL	Ø 1.5	135°	1445817-2
YELLOW	Ø 0.75	115°	1445817-1

DIMENSIONS: mm TOLERANCES UNLESS OTHERWISE SPECIFIED: 9 PLC ± 1 PLC ± 2 PLC ±0.13 3 PLC ± 4 PLC ± ANGLES ± FINISH -		DWN SHANE WUEST 16OCT2001 CHK G DOUTY 16OCT2001 APVD H WAKEEM 13JUN2003 PRODUCT SPEC - APPLICATION SPEC - WEIGHT - CUSTOMER DRAWING	Tyco Electronics Harrisburg, PA 17105-3608 NAME ASSEMBLY, PLUG, SIZE 11, 8 POSITION, SEALED, MINI CPC SIZE CAGE CODE DRAWING NO RESTRICTED TO A11 00779 C=1445817 SCALE 5:1 SHEET 1 OF 1 REV C1
---	--	---	---