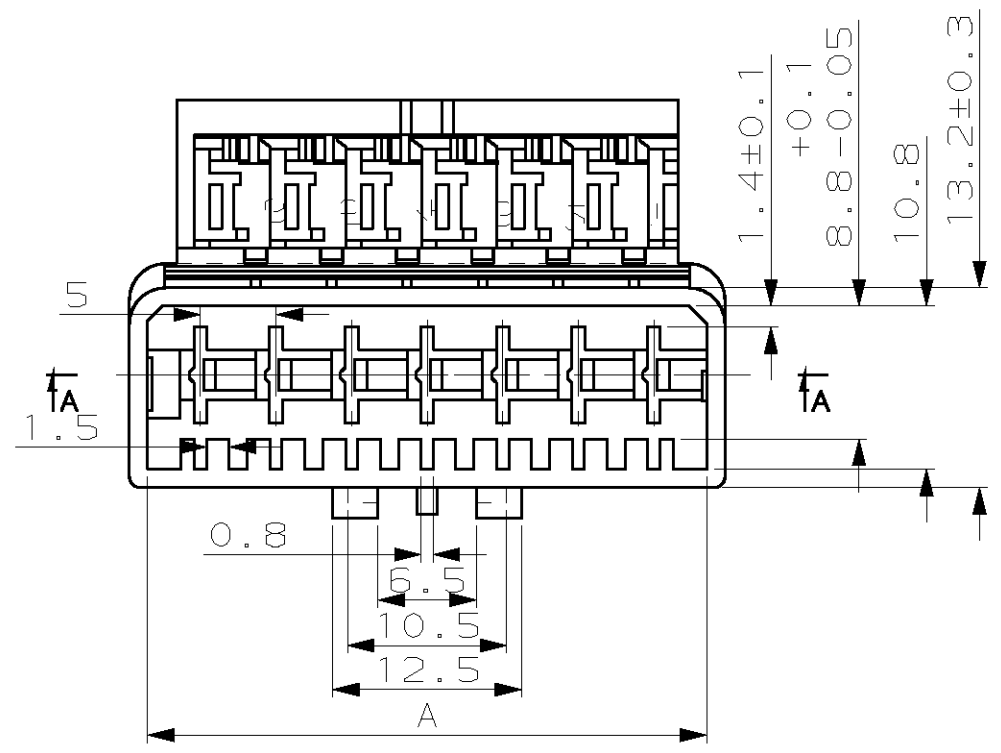
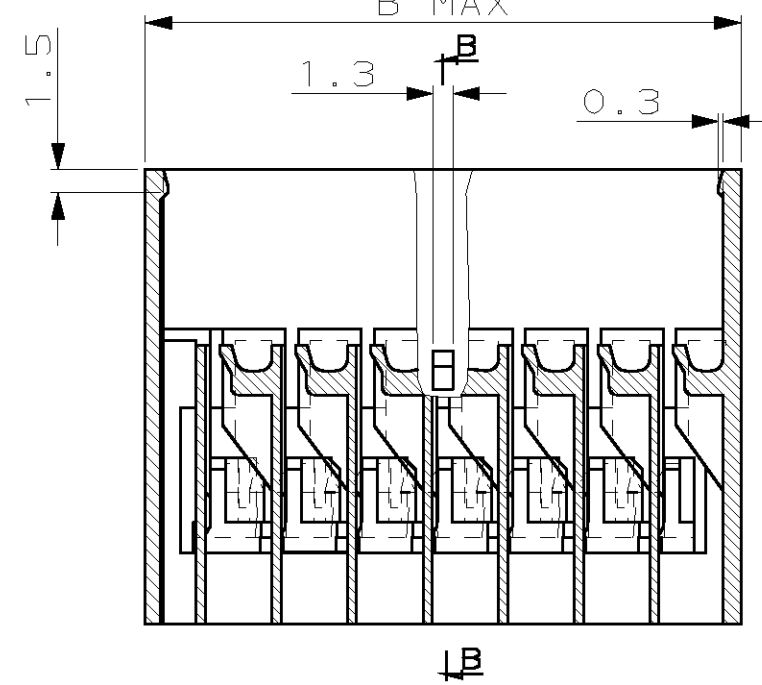
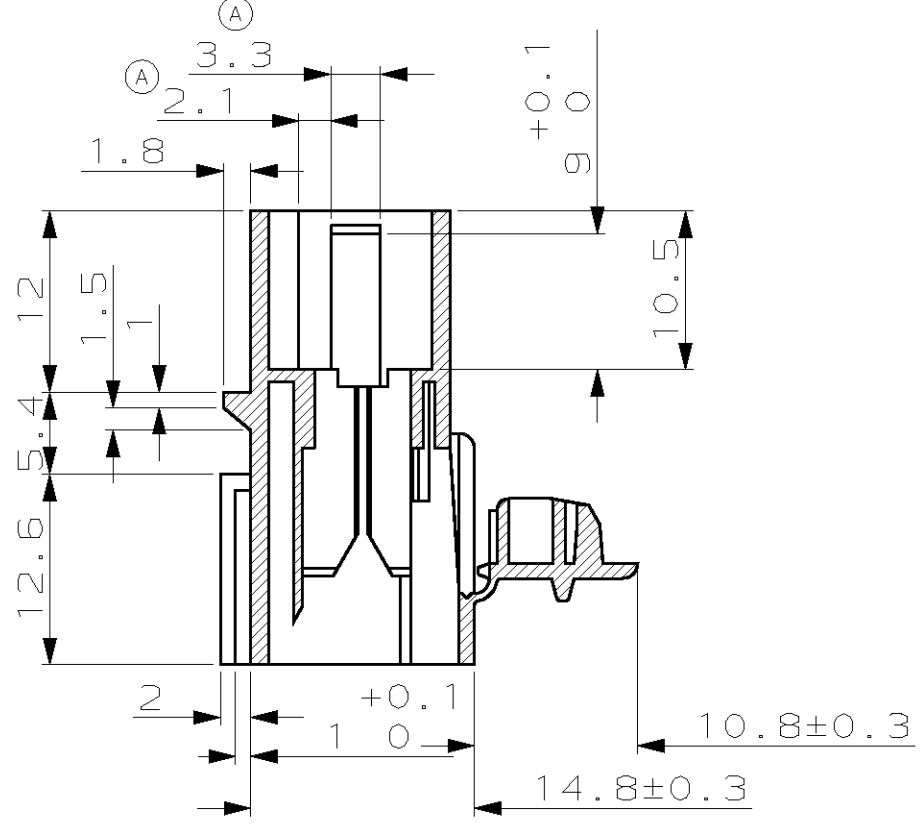


THIS DRAWING IS UNPUBLISHED. RELEASED FOR PUBLICATION ,19 .  
 © COPYRIGHT BY TYCO ELECTRONICS CORP. ALL RIGHTS RESERVED.

LOC		DIST		REVISIONS					
F		7		P	LTR	DESCRIPTION	DATE	DWN	APVD
				B		TABLE REFERENCES	12-JUN-02	RP	-

**COUPE B-B**

**COUPE A-A**



64.7	62	12	144837-2
59.7	57	11	144837-1
54.7	52	10	144836-0
49.7	47	9	144836-9
44.7	42	8	144836-8
39.7	37	7	144836-7
34.7	32	6	144836-6
29.7	27	5	144836-5
24.7	22	4	144836-4
B	A	Nb de VOIES (Nb of WAYS)	REFERENCES

THIS DRAWING IS A CONTROLLED DOCUMENT.		DWN	12-JUN-02	TYCO ELECTRONICS FRANCE SAS BP 39, 95301 CERGY-PONTOISE CEDEX
		CHK	12-JUN-02	
		APVD	12-JUN-02	
		NAME	Jean Jacques REVIL	
DIMENSIONS: mm		TOLERANCES UNLESS OTHERWISE SPECIFIED:		PRODUCT SPEC
		0-PLC ±		PL 5MM DOUBLE VERROUILLAGE (CAP HSG 5MM DOUBLE LOCKING)
		1-PLC ±0.3		
		2-PLC ±		
		3-PLC ±		
4-PLC ±		ANGLES ±5°		APPLICATION SPEC
MATERIAL PA 6.6		FINISH -		SIZE
				CAGE CODE
				DRAWING NO
				RESTRICTED TO
				WEIGHT -
				A3 00779 C- 144836
				CUSTOMER DRAWING
				SCALE 2:1
				SHEET 1 OF 2
				REV B

C

B

A

	5-144836-4	BLUE (BLEU) 6-144836-4		5-144836-5	BLUE (BLEU) 6-144836-5
	7-144836-4	VIOLET		7-144836-5	VIOLET
	8-144836-4	GRAY (GRIS)		8-144836-5	GRAY (GRIS)
	9-144836-4	WHITE (BLANC)		9-144836-5	WHITE (BLANC)

7 POSITIONS		8 POSITIONS		9 POSITIONS		10 POSITIONS	
	BLACK (NOIR) 0-144836-7		BLACK (NOIR) 0-144836-8		BLACK (NOIR) 0-144836-9		BLACK (NOIR) 0-144836-0
	BROWN (MARRON) 1-144836-7		BROWN (MARRON) 1-144836-8		BROWN (MARRON) 1-144836-9		BROWN (MARRON) 1-144836-0
	RED (ROUGE) 2-144836-7		RED (ROUGE) 2-144836-8		RED (ROUGE) 2-144836-9		RED (ROUGE) 2-144836-0
	ORANGE 3-144836-7		ORANGE 3-144836-8		ORANGE 3-144836-9		ORANGE 3-144836-0
	YELLOW (JAUNE) 4-144836-7		YELLOW (JAUNE) 4-144836-8		YELLOW (JAUNE) 4-144836-9		YELLOW (JAUNE) 4-144836-0
	GREEN (VERT) 5-144836-7		GREEN (VERT) 5-144836-8		GREEN (VERT) 5-144836-9		GREEN (VERT) 5-144836-0
	BLUE (BLEU) 6-144836-7		BLUE (BLEU) 6-144836-8		BLUE (BLEU) 6-144836-9		BLUE (BLEU) 6-144836-0
	VIOLET 7-144836-7		VIOLET 7-144836-8		VIOLET 7-144836-9		VIOLET 7-144836-0
	GRAY (GRIS) 8-144836-7		GRAY (GRIS) 8-144836-8		GRAY (GRIS) 8-144836-9		GRAY (GRIS) 8-144836-0
	WHITE (BLANC) 9-144836-7		WHITE (BLANC) 9-144836-8		WHITE (BLANC) 9-144836-9		WHITE (BLANC) 9-144836-0

12 POSITIONS	
	BLACK (NOIR) 0-144837-2
	BROWN (MARRON) 1-144837-2
	RED (ROUGE) 2-144837-2
	ORANGE 3-144837-2
	YELLOW (JAUNE) 4-144837-2
	GREEN (VERT) 5-144837-2
	BLUE (BLEU) 6-144837-2
	VIOLET 7-144837-2
	GRAY (GRIS) 8-144837-2
	WHITE (BLANC) 9-144837-2

THIS DRAWING IS A CONTROLLED DOCUMENT	
DIMENSIONS: mm	TOLERANCES UNLESS OTHERWISE SPECIFIED
	0-PLC ± 1-PLC ±0.3 2-PLC ± 3-PLC ± 4-PLC ±
MATERIAL VOIR FEUILLE 1	ANGLES ±5 FINISH -