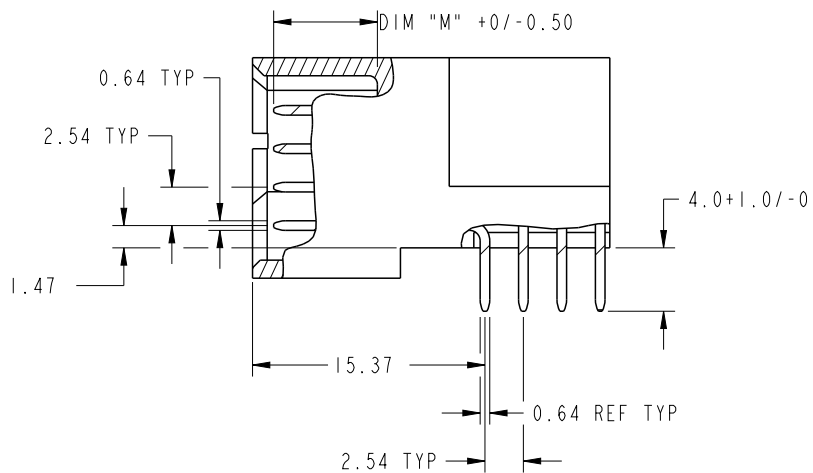


| CODE | DIM "M" MATING LENGTH | CONTACT TYPE |
|------|-----------------------|--------------|
| D | [6.86] | SIGNAL |
| C | [6.86] | SIGNAL |
| A | [6.86] | SIGNAL |
| F | [5.59] | SIGNAL |
| B | [6.86] | SIGNAL |
| G | [5.59] | SIGNAL |
| PF | [N/A] | POWER |

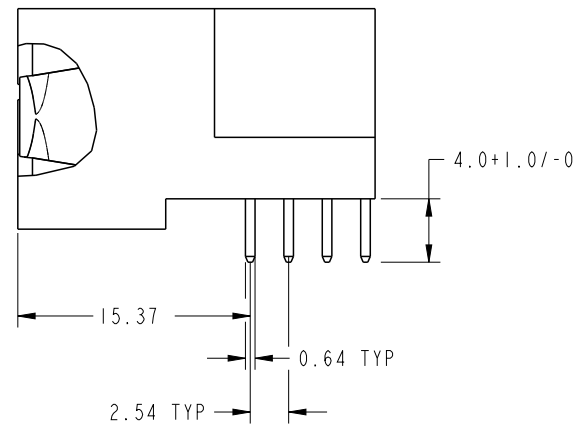
| | | | | | | | | | | | | |
|---------------------------------------|------------|---------|----------------|------------|------------|---------------------------|-----------|------------------------|----------|--------------|----------|---|
| spec ref | * | dr | Luo Weller | 2014/11/06 | projection | MM | size | A4 | scale | 1:1 | | |
| tolerance std | ASME Y14.5 | eng | Luo Weller | 2014/11/10 | | | ecn no | - | | | | |
| TOLERANCES UNLESS OTHERWISE SPECIFIED | | chr | - | - | | | | product family | PwrBlade | rel level | Released | |
| surface | ✓ | appr | Pei-Ming Zheng | 2014/11/10 | title | | 3P+16S+3P | | dwg no | 51939-930 | rev | A |
| ASME Y14.5 | | linear | 0.X | ±0.5 | | RIGHT ANGLE SOLDER HEADER | | Product - Customer Drw | | sheet 1 of 4 | | |
| | | angular | 0° | ±2° | | cat. no. | - | | | | | |

PRODUCT NUMBER

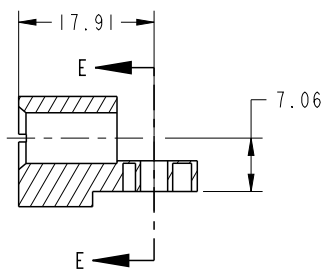
51939-930--
NOTE: 3



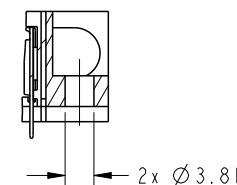
BROKEN-OUT SECTION A-A
SCALE 2:1



BROKEN-OUT SECTION B-B
SCALE 2:1



SECTION C-C

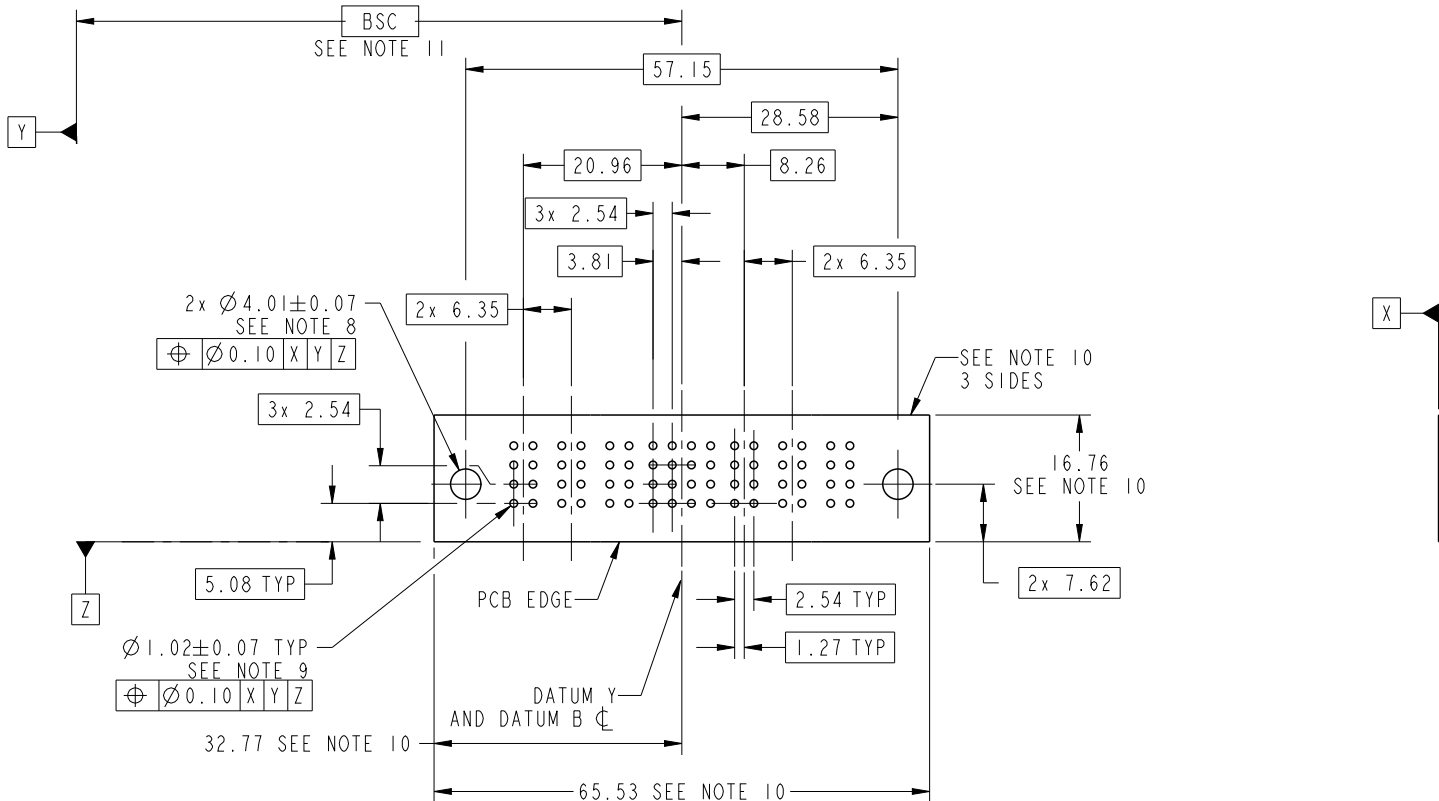


PARTIAL SECTION E-E

| | | | | | | | | |
|-------------|----------------|--|------------------------|--------------|-----------|----------|-------|-----|
| dr | Luo Weller | 2014/11/06 | projection | MM | size | A4 | scale | 1:1 |
| eng | Luo Weller | 2014/11/10 | | | ecn no | - | | |
| chr | - | - | | | rel level | Released | | |
| appr | Pei-Ming Zheng | 2014/11/10 | product family | PwrBlade | rev | A | | |
| | title | 3P+16S+3P RIGHT ANGLE SOLDER HEADER | | dwg no | 51939-930 | | | |
| www.fci.com | cat. no. | - | Product - Customer Drw | sheet 2 of 4 | | | | |

PRODUCT NUMBER

51939-930__
NOTE: 3



RECOMMENDED PCB LAYOUT

| | | | | | | | | |
|-------------|----------------|--|------------------------|----------|--------------|----------|-------|-----|
| dr | Luo Weller | 2014/11/06 | projection | MM | size | A4 | scale | 1:1 |
| eng | Luo Weller | 2014/11/10 | | | ecn no | - | | |
| chr | - | - | | | rel level | Released | | |
| appr | Pei-Ming Zheng | 2014/11/10 | product family | PwrBlade | rev | A | | |
| | title | 3P+16S+3P RIGHT ANGLE SOLDER HEADER | | dwg no | 51939-930 | | | |
| www.fci.com | cat. no. | - | Product - Customer Drw | | sheet 3 of 4 | | | |

PRODUCT NUMBER

51939-930__
NOTE: 3

NOTES:

1. DIMENSIONS AND TOLERANCES ARE IN ACCORDANCE WITH
ASME Y14.5M, 1994 UNLESS OTHERWISE SPECIFIED.

CONNECTOR NOTES:

- 2. HOUSING MATERIAL: UL 94 V-0 GLASS FILLED HIGH-TEMP THERMOPLASTIC, NON HALOGEN FREE
HOUSING COLOR: BLACK
POWER CONTACT MATERIAL: COPPER ALLOY
SIGNAL PIN MATERIAL: COPPER ALLOY
- 3. SEE ITEM 1 & 2 IN PRINT 10064183 FOR PLATING SPEC OF 51939-930 AND 51939-930LF RESPECTIVELY.
- 4. MANUFACTURER'S NAME, DATE CODE AND OPTIONAL P/N TO APPEAR ON
THIS SURFACE. THE MARK CAN BE OMITTED IF THERE IS NOT ENOUGH
SPACE ON THIS SURFACE.
- 5. PRODUCT SPECIFICATION GS-12-149.
APPLICATION SPECIFICATION BUS-20-067.
- 6. PACKAGED IN TRAYS.

PCB NOTES:

- 7. ALL HOLE DIAMETERS ARE FINISHED HOLE SIZE.
- 8. MOUNTING HOLES, WHERE APPLICABLE, ARE UNPLATED.
- 9. $\varnothing 1.151 \pm 0.025$ DRILLED HOLES PLATED WITH
0.008 MIN SnPb OR Sn OVER 0.03
TO 0.08 Cu PLATING TO ACHIEVE
 $\varnothing 1.02 \pm 0.07$ HOLE.
- 10. CONNECTOR KEEP-OUT ZONE.
- 11. DATUM AND BASIC DIMENSIONS ARE ESTABLISHED BY CUSTOMER.

| | | | | | | | | | | | |
|-------------|----------------|------------|----------------|------------------------|----------------|-----------|--------------|----------|-----------|-----|---|
| dr | Luo Weller | 2014/11/06 | projection | MM | size | A4 | scale | 1:1 | | | |
| eng | Luo Weller | 2014/11/10 | | | ecn no | - | | | | | |
| chr | - | - | | | product family | PwrBlade | rel level | Released | | | |
| appr | Pei-Ming Zheng | 2014/11/10 | | | title | 3P+16S+3P | | dwg no | 51939-930 | rev | A |
| www.fci.com | | cat. no. | - | Product - Customer Drw | | | sheet 4 of 4 | | | | |



Copyright FCI.