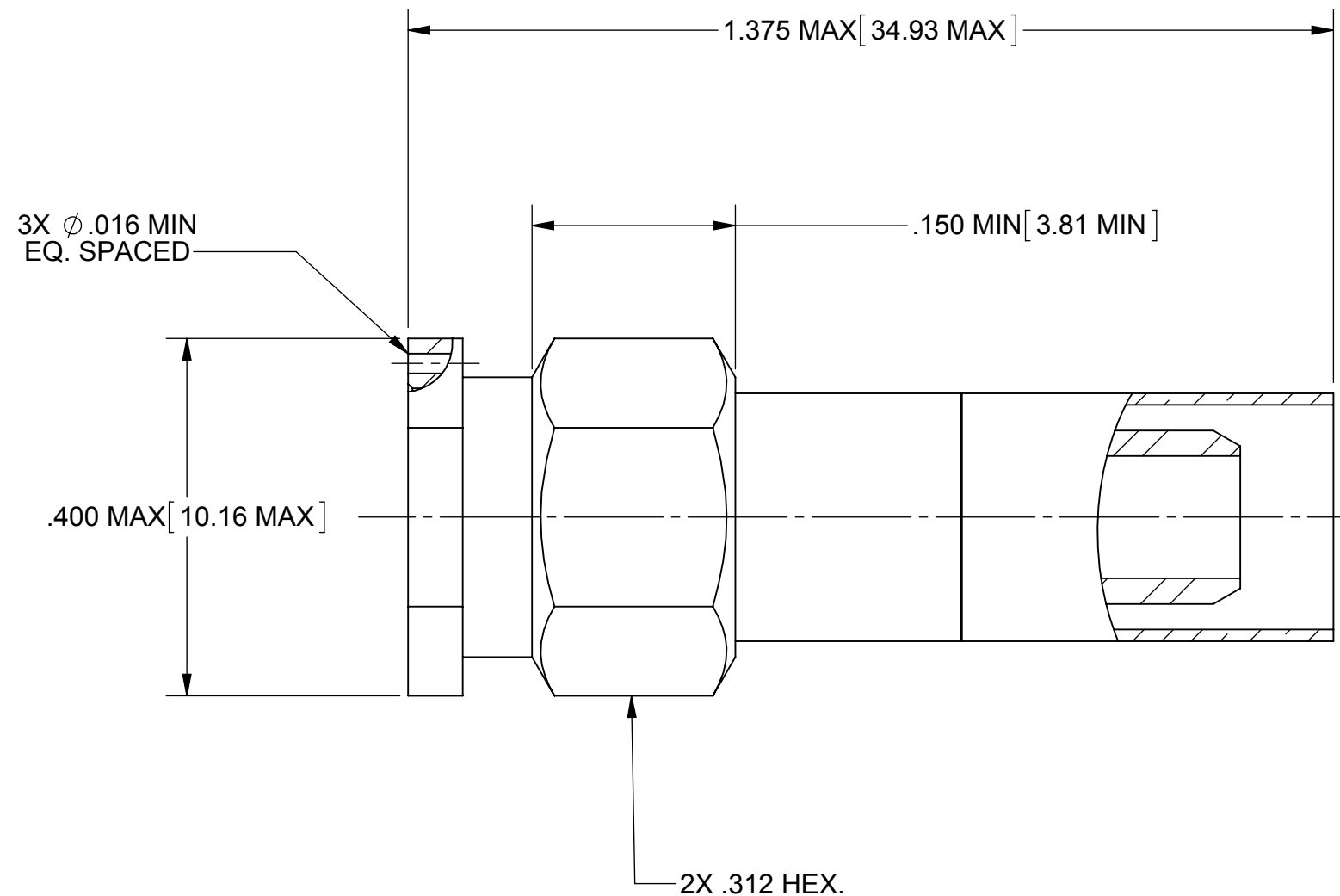


PRODUCT DATA DRAWING

REVISION HISTORY			
REV	DESCRIPTION	DATE	APPROVED
-	DCN 38095	03/11	FED

MATERIAL:

- BODY & COUPLING NUT: STAINLESS STEEL PER AMS-5640, ALLOY UNS S30300, TYPE 1
- CRIMP RING: COPPER PER ASTM B 301 ALLOY UNS C18700, H04
- CONTACT & LOCK RING: BERYLLIUM COPPER PER ASTM-B196, ALLOY No. UNS C17300, TD04
- INSULATOR: PTFE PER ASTM D1710, TYPE I, GRADE 1, CLASS B
- GASKET: SILICONE RUBBER PER A-A-59588, CLASS 2B
- FINISH:**
- CONTACT: GOLD PER ASTM B488, TYPE II, CODE C, CLASS 1.27 MIN; OVER NICKEL PER AMS-QQ-N-290, CLASS 1, .00005" MIN
- BODY & COUPLING NUT: PASSIVATED PER AMS 2700
- CRIMP RING: NICKEL PER AMS QQ-N-290, CLASS 2 .00005" MIN
- PERFORMANCE:**
- IMPEDANCE: 50 OHMS



MATERIAL: SEE NOTES	DIMENSIONS ARE IN INCHES TOLERANCES: FRACTIONAL: ±1/64 ANGULAR: X° ±1'0" X'X' ±15'	UNLESS OTHERWISE SPECIFIED 1) ALL DIMENSIONS ARE IN INCHES (MILLIMETERS) 2) ALL DIMENSIONS ARE AFTER PLATING. 3) BREAK CORNERS & EDGES .005 R. MAX. 4) CHAM. 1ST & LAST THREADS. 5) SURFACE ROUGHNESS 63-MIL-STD-10. 6) DIA: 'S ON COMMON CENTERS TO BE CONCENTRIC WITHIN .005 T.I.R. 7) REMOVE ALL BURRS	SV Microwave, Inc. 2400 Centrepark West Drive, Suite 100 West Palm Beach, FL 33409
FINISH: SEE NOTES	DECIMAL: X ±.030 .XX ±.010 .XXX ±.005	INTERPRET DIMENSIONS AND TOLERANCES PER ASME Y14.5M - 1994	TITLE: SMA PLUG CRIMP FOR RG-142
SURFACE AREA: N/A	THIRD ANGLE PROJECTION	DRAWN: EFT 03/28/11 CHECKED: FED 03/28/11 APPROVED: FED 03/28/11	SIZE: B CAGE CODE: 95077 DWG. NO. M39012/55B3022
PROPRIETARY THE INFORMATION CONTAINED IN THIS DRAWING IS THE SOLE PROPERTY OF SV MICROWAVE, INC. ANY REPRODUCTION IN PART OR AS A WHOLE WITHOUT THE WRITTEN PERMISSION OF SV MICROWAVE, INC IS PROHIBITED.		SCALE: 6:1	SHEET 1 OF 1