

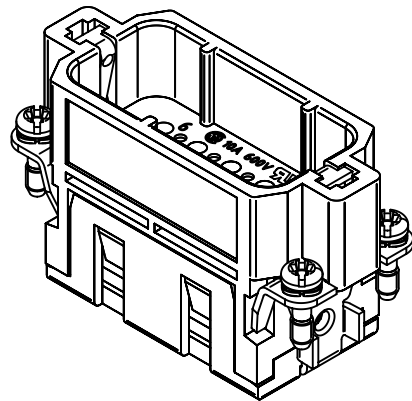
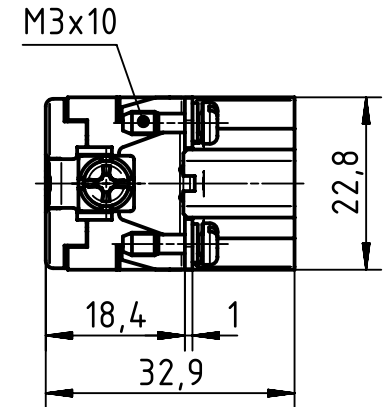
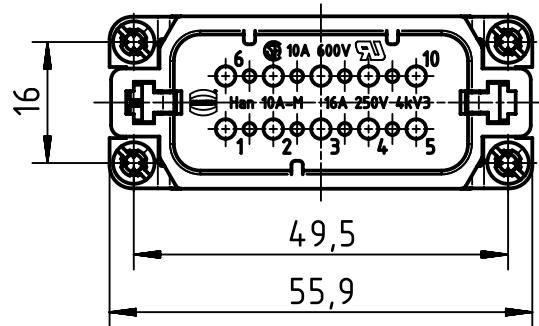
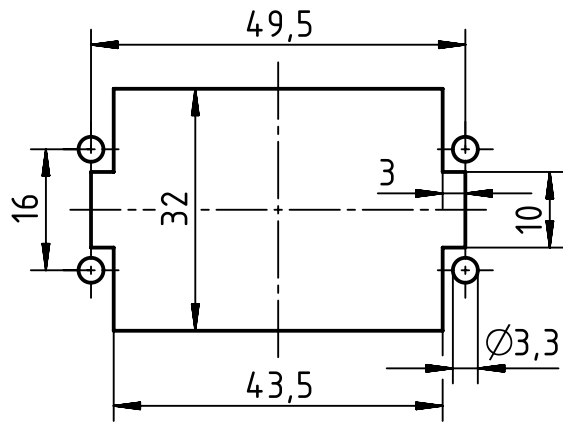
A


B

C

D

panel cut out



	All Dimensions in mm Original Size DIN A4		Scale 1:1	Free size tol.		Ref.		
	All rights reserved Department EL PD - DE		Created by SPRENB	Inspected by BERGHORN	Standardisation TIEMANNA	Date 2015-09-18	State Final Release	
HARTING Electric GmbH & Co. KG D-32339 Espelkamp			Title Han A 10 Pos. M Insert Crimp				Doc-Key / ECM-Nr. 100087375/UGD/007/B 500000091602	
			Type TB	Number 09 20 010 3001			Rev. B	Page 1/1