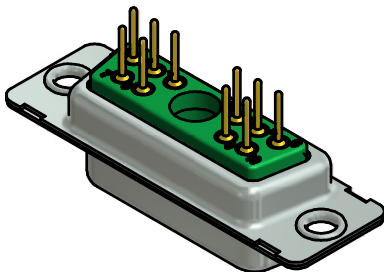
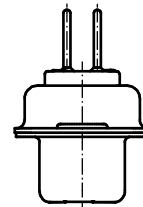
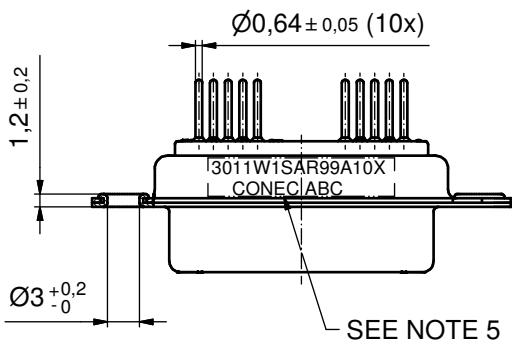
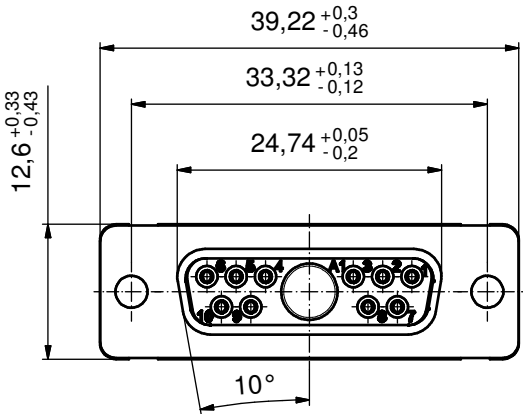
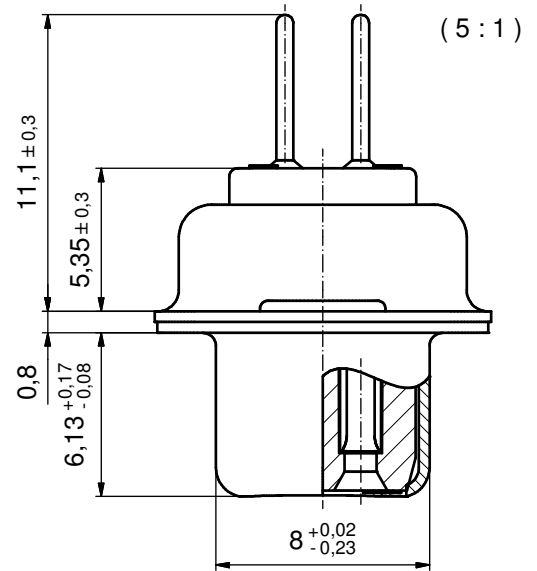


P.C.B. HOLE DRILLINGS
(P.C.B. TOP SIDE)



NOTES:

- METALSHELLS: STEEL; min. 315µin TIN over 40-80µin NICKEL
- INSULATOR: PBT GF UL 94 V-0, GREEN
- SIGNAL CONTACTS: COPPER ALLOY
PLATING: GOLD FLASH over NICKEL
- NO CONTACTS ON POS. A1
- CONNECTOR IS PART MARKED: 3011W1SAR99A10X CONEC ABC

Directive 2002/95/EC RoHS compliant

THIS DRAWING MAY NOT BE COPIED OR REPRODUCED IN ANY WAY, AND MAY NOT BE PASSED ON TO A THIRD PARTY WITHOUT WRITTEN PERMISSION. OWNERSHIP AND COPYRIGHT OF CONEC GmbH DO NOT ALTER CAD DRAWING BY HAND				tolerance		scale: 2:1 (5:1)
				date	name	material: SEE NOTES
				drawn	27.02.12	Henneboel
				appd.	27.02.12	Koch
				norm		
				d-old		
			title: D-SUB COMBINATION FEMALE 11W1S			DIN-A3
			dwg no: 13K1A3911			sh: 1
			part no: 3011W1SAR99A10X			
rev.	description	date	name			
a	Original					