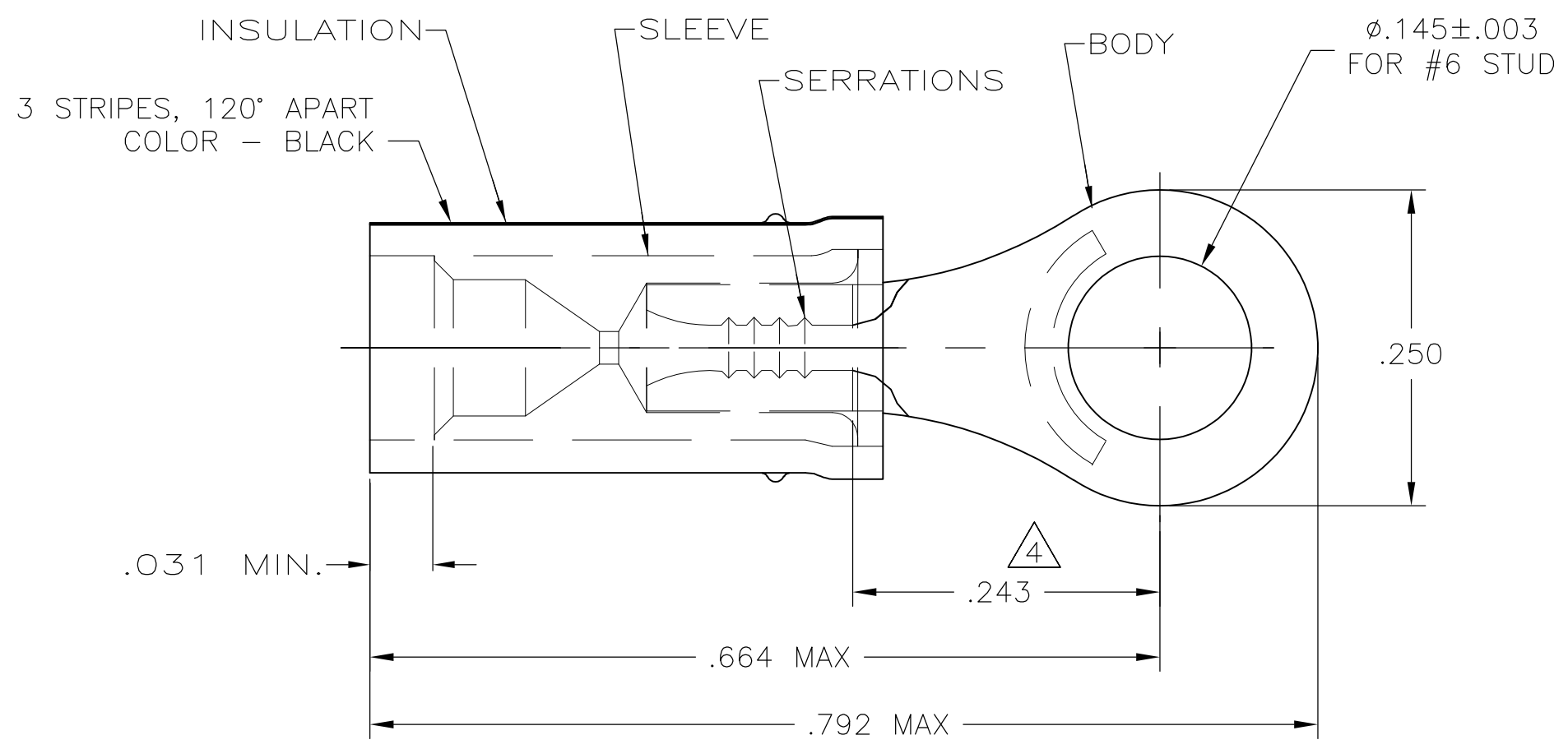


THIS DRAWING IS UNPUBLISHED. RELEASED FOR PUBLICATION
 © COPYRIGHT - By - ALL RIGHTS RESERVED.

LOC	DIST	REVISIONS					
G	14	P	LTR	DESCRIPTION	DATE	DWN	APVD
		F1		REVISED PER ECO-12-006581	06APR12	KH	DR

AMP
WIRE RANGE

26 AWG
STRANDED



- 1 TONGUE MATERIAL THK: .027±.001
- 2 FOR .026 TO .055 WIRE INS. OD.
- 3 MUST BE CRIMPED WITH 22-18 OR 22-16 PIDG (RED)TOOL.
- △4 APPLIED FROM EDGE OF METAL WIRE BARREL TO CENTER OF STUD HOLE.
- △5 BODY & SLEEVE: CU PER ASTM B152 INSULATION: NYLON, COLOR - YELLOW
- △6 BODY: TIN PLATE PER ASTM B545 SLEEVE: NI PLATE PER QQ-N-290

M7928/1-3 CLASS 1 & 2	1	WIRE TERMINAL	53050
MILITARY P/N AND CLASS	QTY	PACKAGE TYPE	PART NO

AMP INCORPORATED CUSTOMER SERVICE SYSTEMS		MAX RECOMMENDED OPERATING TEMPERATURE: 105°C [221°F]
FOR ADDITIONAL PRODUCT INFORMATION OR COPIES OF DRAWINGS AND TECHNICAL DOCUMENTS	PRODUCT INFORMATION CENTER 1-800-522-6752	VOLTAGE RATING: 300V MAX
FOR APPLICATION TOOLING INFORMATION	TOOLING ASSISTANCE CENTER 1-800-722-1111	CIRCULAR MIL AREA: 0.12-0.15mm² [238-304] STRANDED
FOR ORDER ENTRY	1-800-526-5142	THIS DRAWING IS A CONTROLLED DOCUMENT FOR AMP INCORPORATED. IT IS SUBJECT TO CHANGE AND THE CONTROLLING ENGINEERING ORGANIZATION SHOULD BE CONTACTED FOR THE LATEST REVISION.

THIS DRAWING IS A CONTROLLED DOCUMENT.	
DIMENSIONS: INCHES	TOLERANCES UNLESS OTHERWISE SPECIFIED:
	0 PLC ± -
	1 PLC ± -
	2 PLC ± .008
	3 PLC ± -
	4 PLC ± -
	ANGLES ± -
MATERIAL	FINISH
△5	△6

DWN JR RUTH 28OCT08	STE TE Connectivity	NAME		
CHK TOM MICHIELUTTI 28OCT08		TERMINAL, PIDG, RING TONGUE, INSULATION RESTRICTING WIRE SIZE: 26		
APVD TOM MICHIELUTTI 28OCT08		SIZE	CAGE CODE	DRAWING NO
PRODUCT SPEC		A3	00779	C-53050
APPLICATION SPEC	RESTRICTED TO	SCALE	SHEET	
WEIGHT	-	8:1	1 OF 1	
CUSTOMER DRAWING		REV	F1	