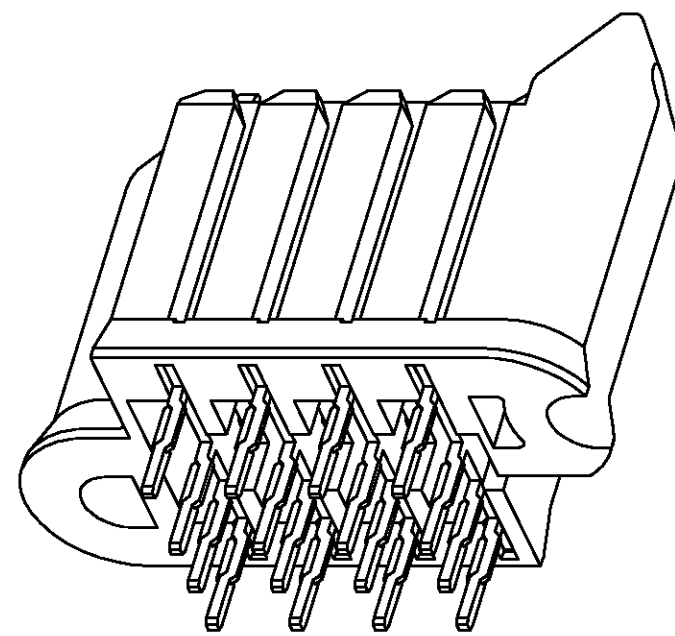
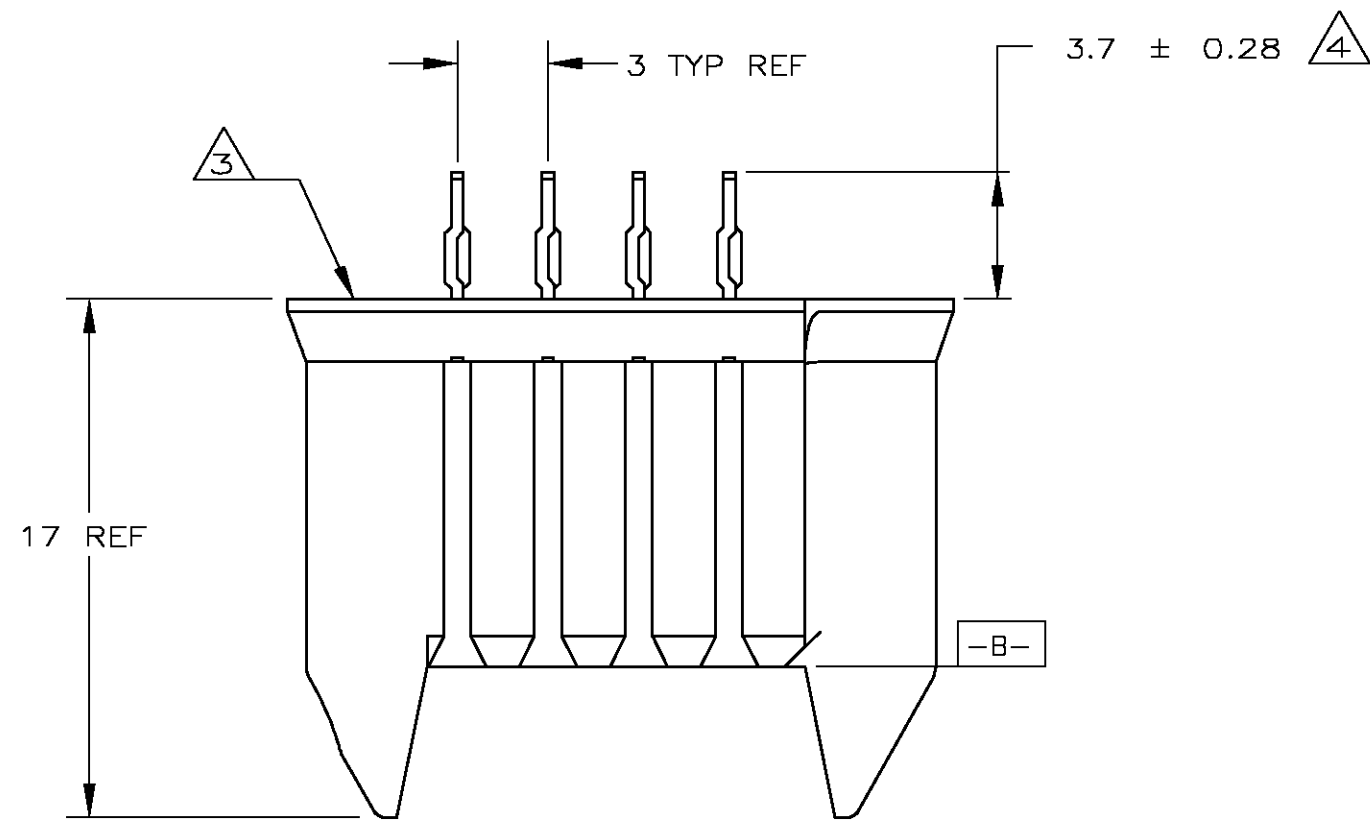
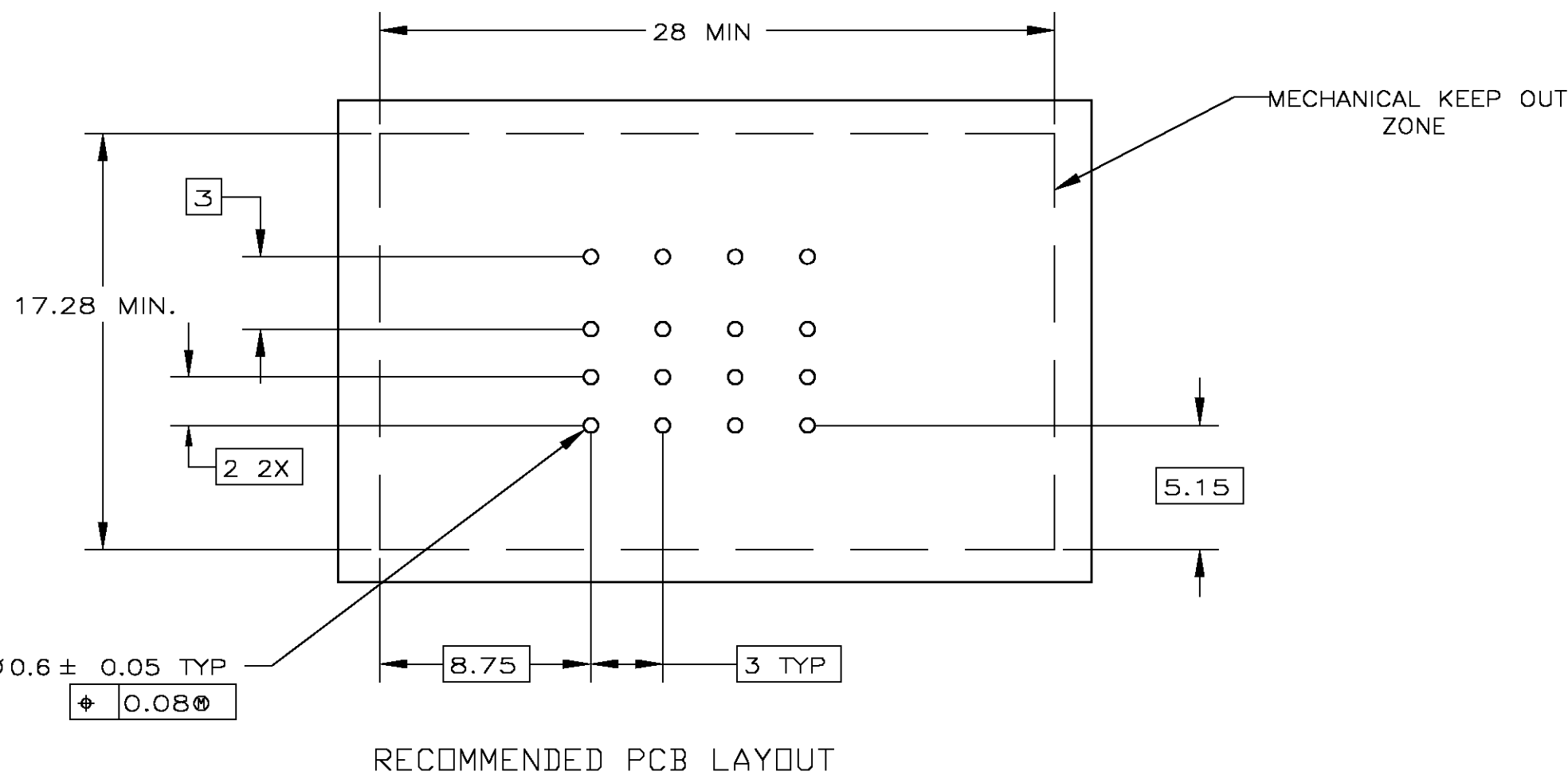
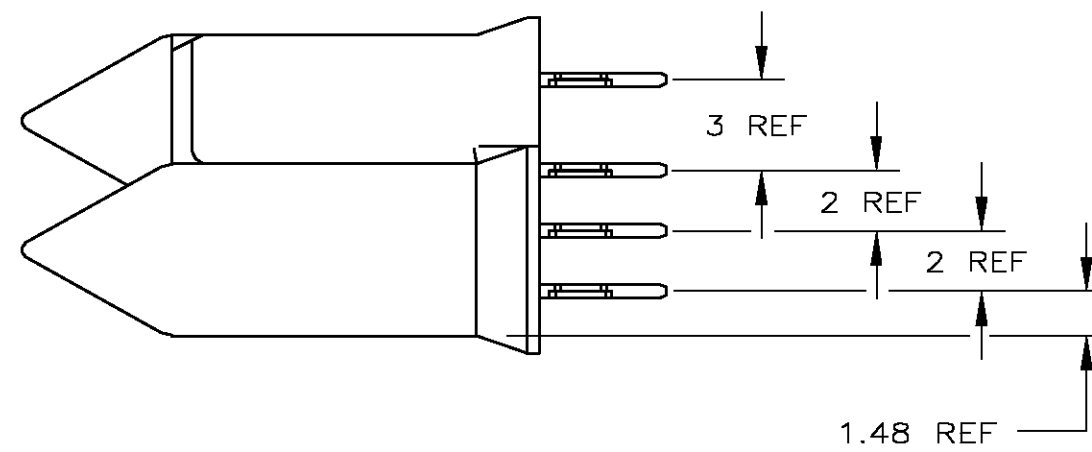
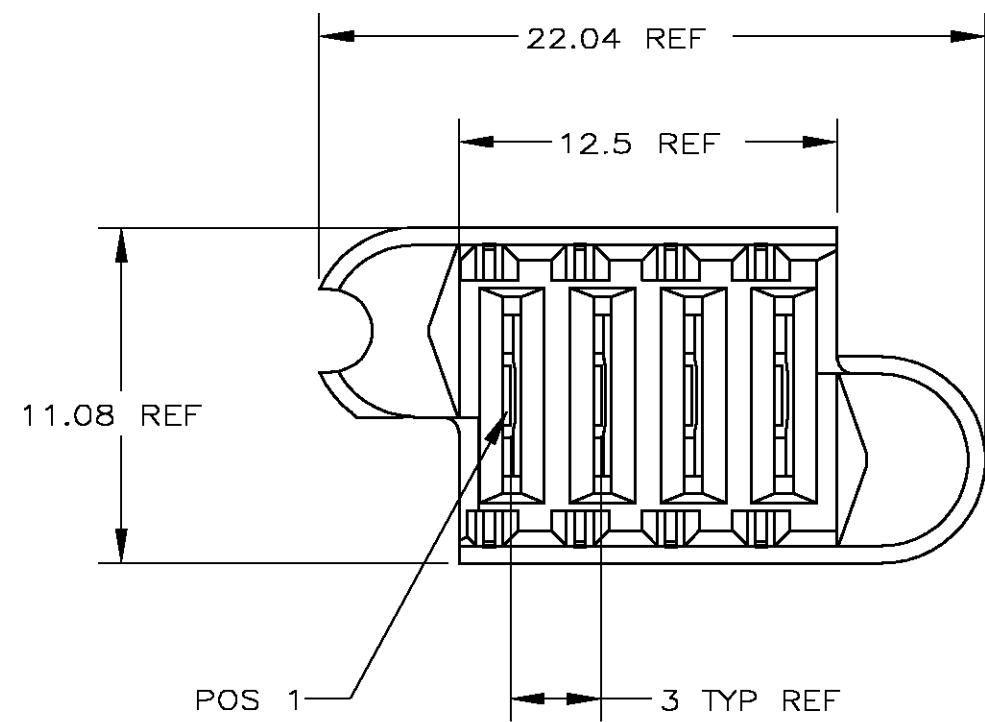


THIS DRAWING IS UNPUBLISHED. RELEASED FOR PUBLICATION
 © COPYRIGHT BY TYCO ELECTRONICS CORPORATION. ALL RIGHTS RESERVED.

| LOC | DIST | REVISIONS | | | | | |
|-----|------|-----------|-----|-------------------------|---------|-----|------|
| GP | 00 | P | LTR | DESCRIPTION | DATE | DWN | APVD |
| | | A | | REV PER EC 0S12-0192-04 | 02AUG04 | AF | SWB |



- 1 MATERIAL: HOUSING - HIGH TEMP THERMO PLASTIC (UL 94 V-0), BLACK
CONTACT - COPPER ALLOY
- 2 CONTACT PLATING: 1.27 μm MIN Au OVER 1.27 μm Ni ON CONTACT AREA.
Sn OVER Ni ON TAILS
- 3 "AMP" TRADEMARK TO APPEAR ON THIS SURFACE.
- 4 DIMENSION APPLIES AFTER CONNECTOR IS APPLIED TO PCB.
- 5 THIS PRODUCT HAS NOT COMPLETED VALIDATION TESTING.



1489130

1489130-2
 PART NUMBER

| | | | | | | | |
|--|--|------------------|------------|-----------|-----------|------------------------------|------------|
| THIS DRAWING IS A CONTROLLED DOCUMENT. | | DWN | 18MAY2002 | | | Tyco Electronics Corporation | |
| | | CHK | AL FRANTUM | | | MIDDLETOWN, PA 17057 | |
| DIMENSIONS: MM | | APVD | - | | NAME | | |
| TOLERANCES UNLESS OTHERWISE SPECIFIED: | | PRODUCT SPEC | | 108-1998 | | | |
| 0 PLC ± - | | APPLICATION SPEC | | 114-13067 | | | |
| 1 PLC ± .25 | | SIZE | | A2 | CAGE CODE | 00779 | DRAWING NO |
| 2 PLC ± .13 | | WEIGHT | | - | | C=1489130 | |
| 3 PLC ± .05 | | CUSTOMER DRAWING | | SCALE | | 1:1 | SHEET |
| 4 PLC ± .025 | | | | | | 1 | OF |
| ANGLES ± 2 | | | | | | 1 | REV |
| FINISH | | | | | | | A |