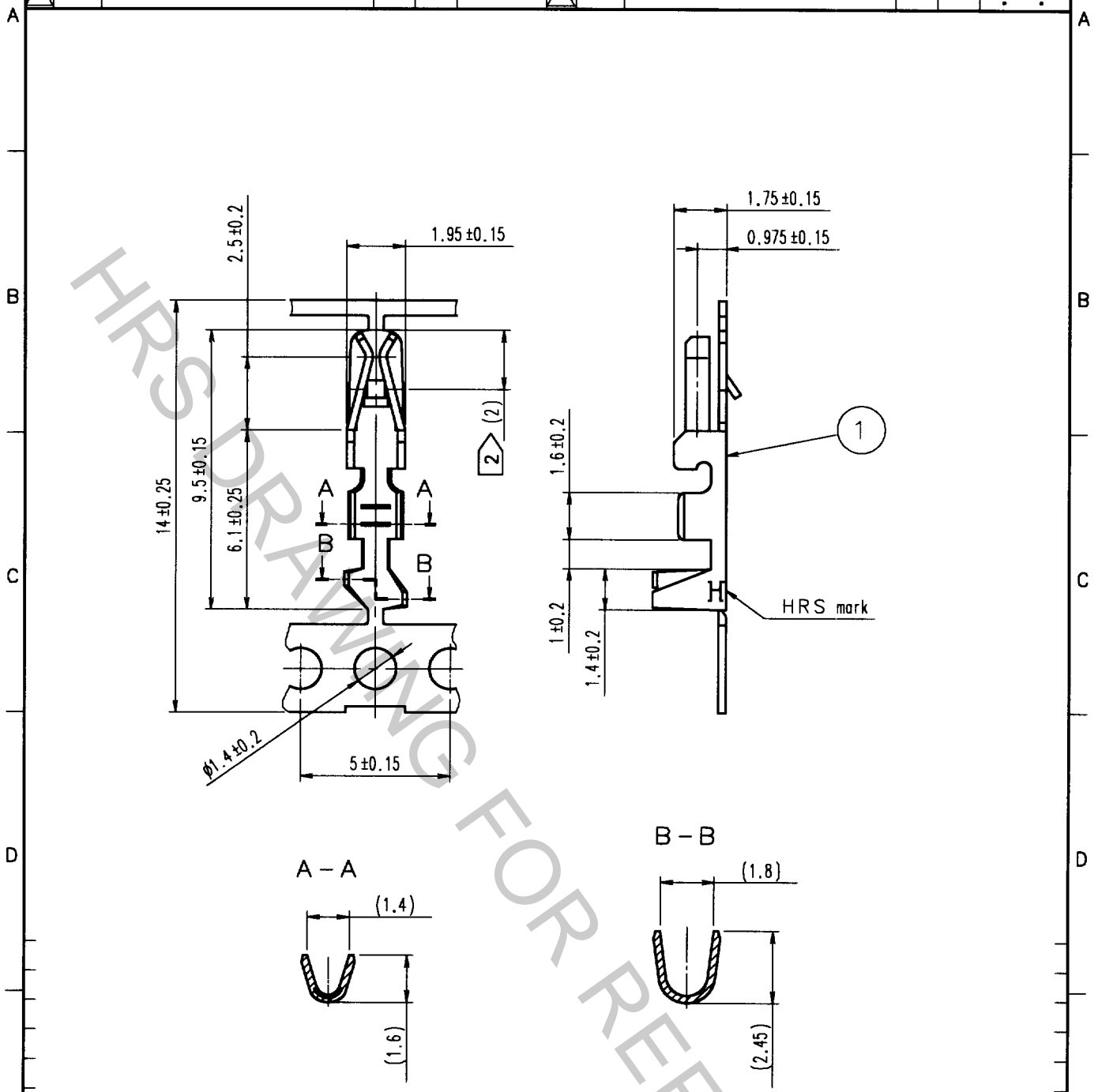


1		2			3			4		
COUNT	DESCRIPTION OF REVISIONS	BY	CHKD	DATE	COUNT	DESCRIPTION OF REVISIONS	BY	CHKD	DATE	
△					△					
△					△					
△					△					



NOTES 1. APPLICABLE CABLE : AWG24 TO 28
 2. GOLD PLATE AREA

NO.	MATERIAL	FINISH, REMARKS
1	PHOSPHOR BRONZE	CONTACT: GOLD PLATING 0.2 μm OTHER: NICKEL PLATING 1μm

CODE NO. (OLD)	DRAWN	DESIGNED	CHECKED	APPROVED	RELEASED
	Y. INOUE	Y. Inoue	T. Miyazaki	K. Katayama	
	00.09.18	'00. 9.18	'00. 9.18	'00. 9.18	

	DRAWING NO.	PART NO.
	EDC4-080532	DF1B-2428SCFA
SCALE 5 : 1 UNITS mm	HIROSE ELECTRIC CO., LTD.	CODE NO. CL541-0680-3

TO