

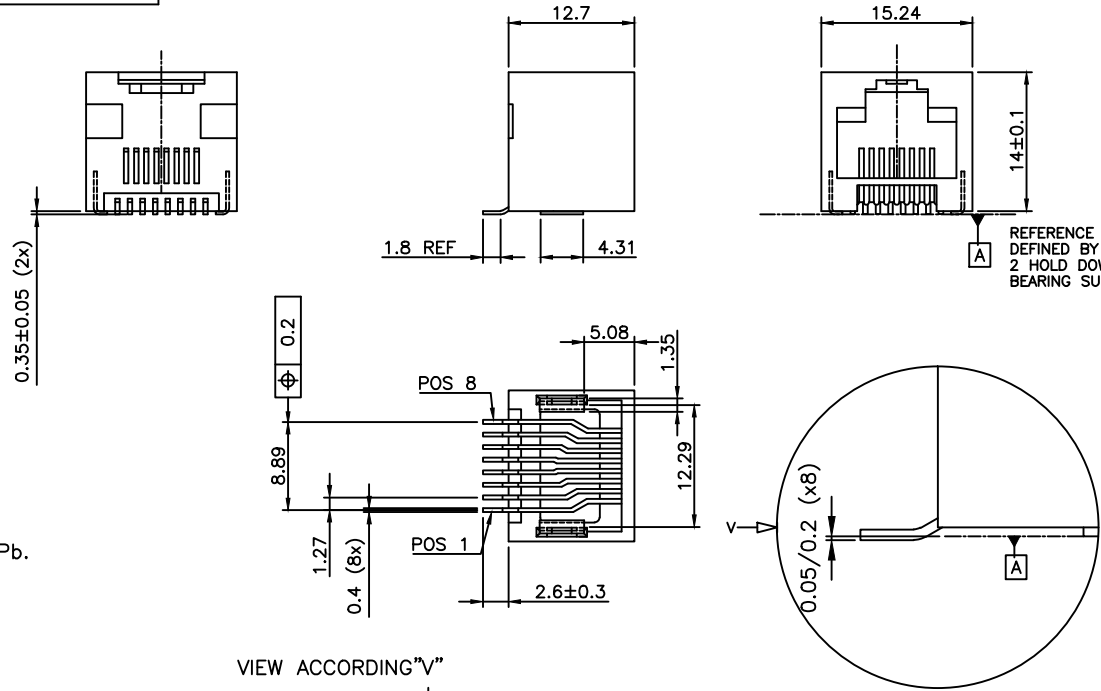
PRODUCT NUMBER
73333-XXXLF

PLATING OPTION
1= GXT 0.76 μ m
3= GOLD 0.76 μ m
5= GOLD 1.27 μ m

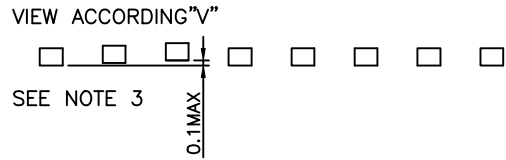
PACKAGE OPTION
1= TAPE ON REEL
2= TUBE
3= TAPE ON REEL IN PLASTIC BAG

TERMINAL LOADING
1= FULLY LOADED
2= POS 1,2,7,8
3= POS 3,4,5,6

WHEN NEEDED, SUFFIX LETTER "LF" INDICATES THE PRODUCT IS RoHS COMPATIBLE, SEE NOTE 4.



- NOTES:
- MATERIAL: HOUSING: HIGH TEMP. PCT, COLOUR BLACK.
TERMINAL: PHOSPHOR BRONZE.
 - PLATING: CONTACT AREA: SEE TABLE.
SOLDER TAIL : 90/10 SnPb 2 μ m MIN.
WHEN SUFFIX "LF" IS REQUIRED 2 μ m MIN MATTE TIN OVER 1.27 MIN Ni IS SUPPLIED INSTEAD OF SnPb.
NO RAW EDGES EXCEPT SOLDER TAIL TIPS
 - SOLDER TAILS COPLANARITY : 0.1 mm
 - RoHS COMPATIBLE PRODUCT SPECIFICATIONS
 - PLATING:
 - "LF" MEANS THE PRODUCT IS LEAD-FREE, 2 μ m MINIMUM MATTE TIN OVER 1.27 μ m MINIMUM NICKEL UNDERPLATE.
 - MANUFACTURING PROCESS COMPATIBILITY
 - THE HOUSING WILL WITHSTAND EXPOSURE TO 245°C PEAK TEMPERATURE FOR 30 SECONDS MAX IN A CONVECTION, INFRA-RED OR VAPOR PHASE OR REFLOW OVEN.
 - LABELING:
 - MEETS PACKAGING SPECS AS PER GS-14-920
 - LEGAL STATEMENT: SEE GS-47-0004
 - PACKAGING FOR OPTION 3 : EACH REEL IS WRAPPED INTO A PLASTIC BAG TO PROTECT FROM MOISTURE DURING STACKING TIME.

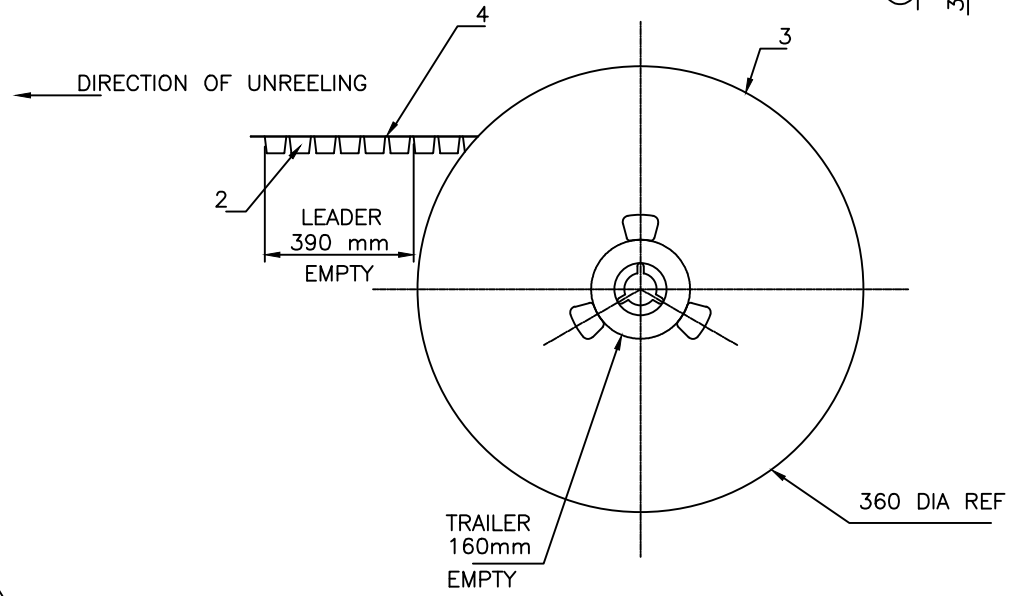
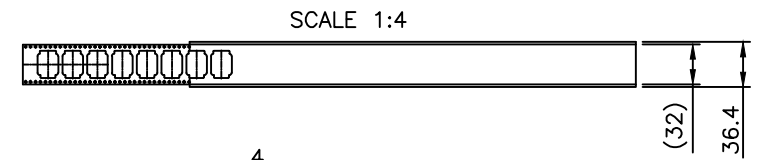
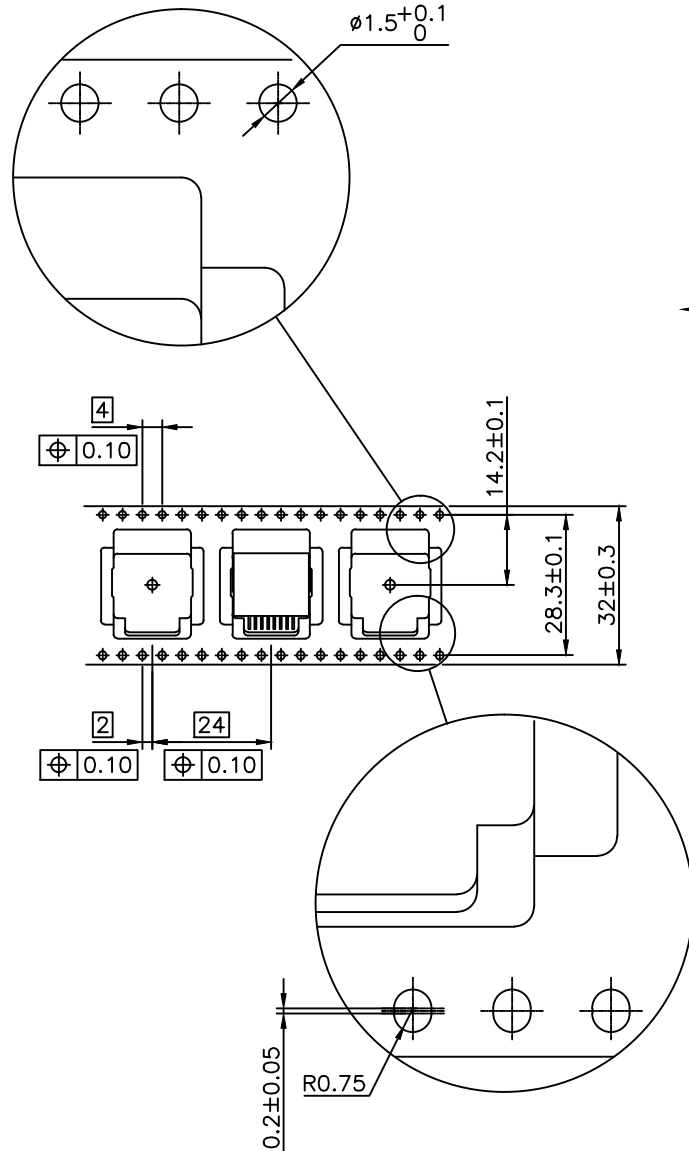


CUSTOMER COPY FOR REFERENCE ONLY										
mat'l. code				surface		tolerance		projection	product family	
				ISO 1302 ✓		ISO 406 ISO 1101			MODULAR JACK	
ltr ecn no dr date				tolerances unless otherwise specified					title	
H F06-0240 DLE 06.07.18				angles		±0.13		mm	SMT RA JACK	
J F10-0238 APA 10.10.25				linear					8 POS INSIDE	
K B-15798 JFA 13.09.09				±2'				scale 2:1	dwg no	
L F-21888 AMA 15.09.09				dr		D LEGRAND 04.10.19			sheet 1 of 3 size	
F F04-0363 DLE 04.10.19				enrg		P NIZZI 04.10.19			73333 A3	
G F05-0247 DLE 05.09.12				appd		D LEGRAND 04.10.19			type	
				chr		P NZ 04.10.19			CUSTOMER Drawing	
sheet		revision		L		D		B		
index		sheet		1		2		3		

FCI
FCIconnect.com
Copyright FCI

PRODUCT NUMBER
SEE SHEET 1

LTR	PART NAME	QTY
1	PRODUCT	230
2	TAPE	1
3	REEL	1
4	COVER TAPE	1



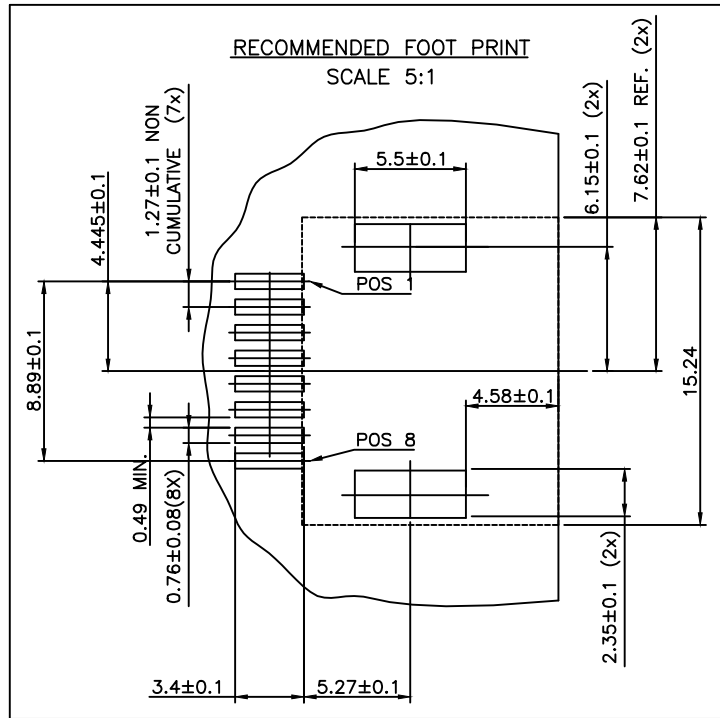
1- IN ACCORDANCE WITH EIA-481 AND IEC 296-3

CUSTOMER COPY FOR REFERENCE ONLY

mat'l. code		surface		tolerance		projection		product family	
		ISO 1302		ISO 406 ISO 1101				MOD-JACK	
ltr		ecn no		dr		date		title	
C		F80620		DLE		98.11.26		SMT RA JACK	
D		F06-0240		DLE		06.07.18		8 POS. INSIDE	
				angles		linear		scale 1:1	
				dr		D LEGRAND		06.07.18	
				engr		P NIZZI		06.07.18	
				chr		D LE		06.07.18	
				appd		P NZ		06.07.18	
sheet index		revision sheet						dwg no	
								73333	
								sheet 2 of 3	
								size	
								A3	
								type	
								CUSTOMER Drawing	



Copyright FCJ



FCIconnect.com

Copyright FCI

CUSTOMER COPY FOR REFERENCE ONLY

mat'l. code		surface		tolerance		projection		product family	
		ISO 1302 ✓		ISO 406 ISO 1101				MODULAR JACK	
ltr		ecn no		dr		date		title	
A		F04-0363		DLE		04.10.19		SMT RA JACK	
B		F06-0240		DLE		06.07.18		8 POS INSIDE	
		angles		linear				scale 2:1	
		±2'							
		dr		D LEGRAND		04.10.19		dwg no	
		engr		P NIZZI		04.10.19		sheet 3 of - size	
		chr		D LEGRAND		04.10.19		73333 A4	
		appd		P NZ		04.10.19		type	
								CUSTOMER Drawing	
sheet index		revision sheet							



form: A4