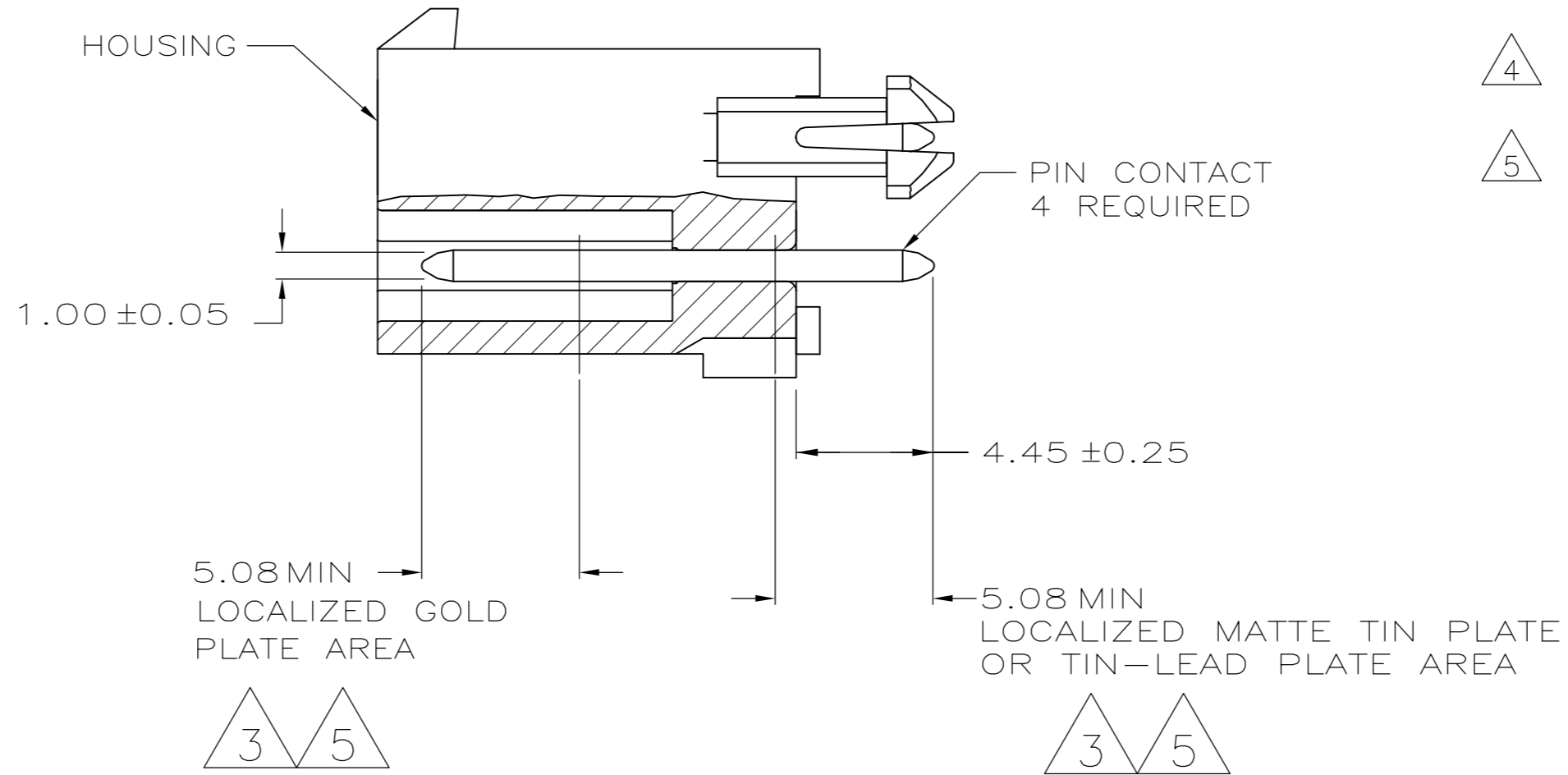
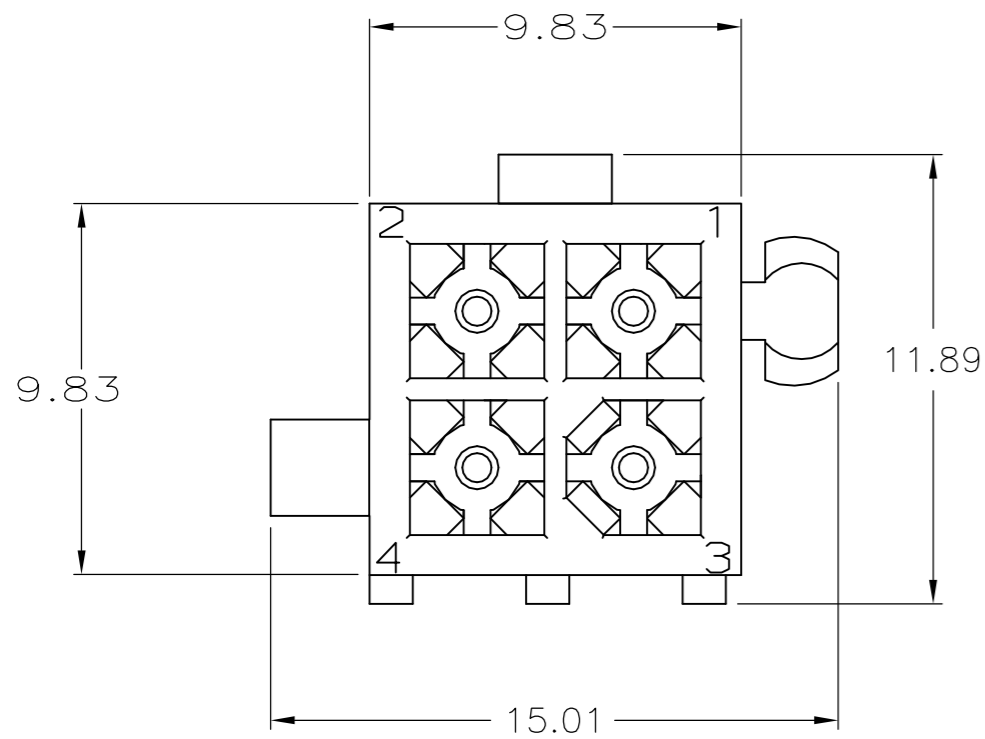
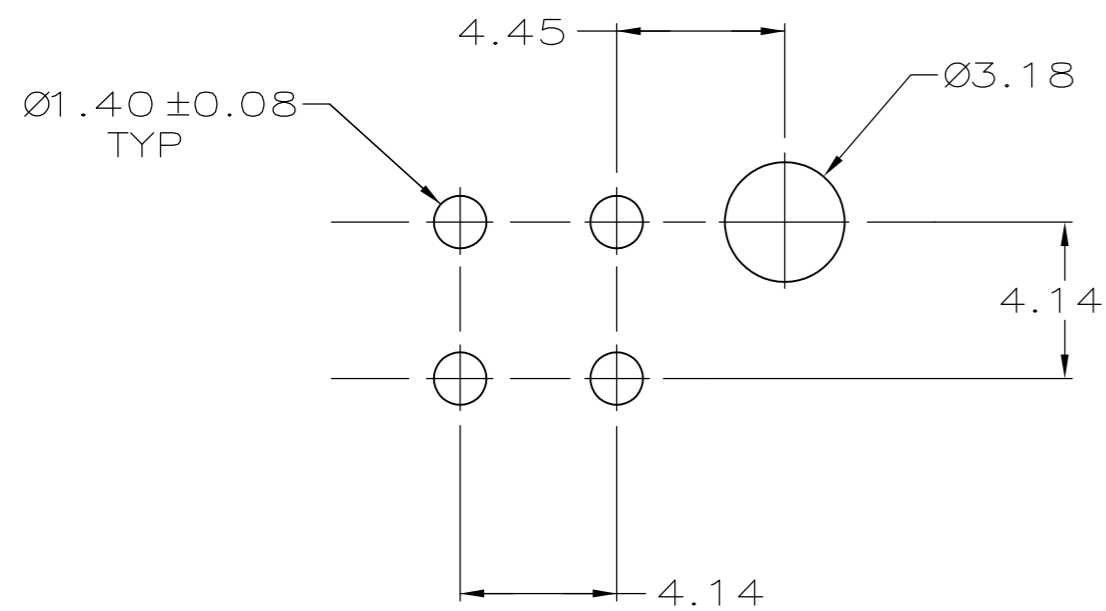


THIS DRAWING IS UNPUBLISHED. RELEASED FOR PUBLICATION
 © COPYRIGHT - By - ALL RIGHTS RESERVED.

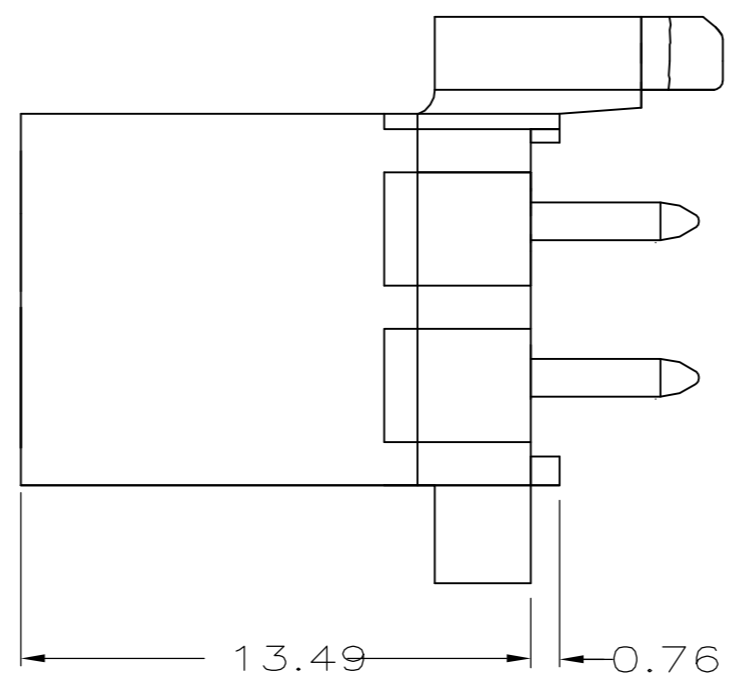
LOC	DIST	REVISIONS					
		P	LTR	DESCRIPTION	DATE	DWN	APVD
CM	0	L2		REVISED PER ECO-11-004587	11MAR11	RK	HMR



- 1 PINS TO COMPLY WITH AMP SOLDERABILITY SPEC. 109-11-3.
- △2 0.00381 MIN MATTE TIN LEAD PLATE OVER 0.00127 MIN NICKEL.
- △3 0.00076 MIN GOLD PLATE IN THE LOCALIZED PLATE AREA, 0.00381 MATTE TIN LEAD IN THE LOCALIZED PLATE AREA, BOTH OVER 0.00127 MIN NICKEL.
- △4 0.00381 MIN MATTE TIN PLATE OVER 0.00127 MIN NICKEL.
- △5 0.00076 MIN GOLD PLATE IN THE LOCALIZED PLATE AREA, 0.00381 MATTE TIN IN THE LOCALIZED PLATE AREA, BOTH OVER 0.00127 MIN NICKEL.



RECOMMENDED LAYOUT FOR 1.57 THICK BOARD
 TOLERANCES NON-ACCUMULATIVE



BRASS, TIN	△4	NYLON, UL94V-0	BLACK	5-770174-0
BRASS, GOLD	△5	NYLON, UL94V-0	WHITE	1-770174-1
BRASS, TIN	△4	NYLON, UL94V-0	WHITE	1-770174-0
BRASS, GOLD	△3	NYLON, UL94V-0	WHITE	770174-2
BRASS, TIN-LEAD	△2	NYLON, UL94V-0	WHITE	770174-1
MATERIAL	FINISH	MATERIAL	COLOR	PART NO.
PIN		HOUSING		

THIS DRAWING IS A CONTROLLED DOCUMENT.

DWN	S CARPENTER	08JUN05		TE Connectivity
CHK	R JONES	28/JUL2003		
APVD	R JONES	28JUL2003		
PRODUCT SPEC				
DIMENSIONS: mm			NAME	
TOLERANCES UNLESS OTHERWISE SPECIFIED:			HEADER ASSEMBLY, 4 CKT, MINI UNIVERSAL MATE-N-LOK	
0 PLC	± -		SIZE	CAGE CODE
1 PLC	± -		A2	00779
2 PLC	± 0.13		DRAWING NO	C=770174
3 PLC	± -		RESTRICTED TO	
4 PLC	± -			
ANGLES	± -		SCALE	5:1
MATERIAL	FINISH	WEIGHT	SHEET	1 of 1
			REV	L2
CUSTOMER DRAWING				