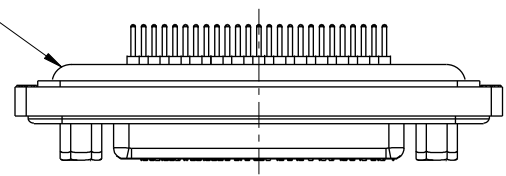
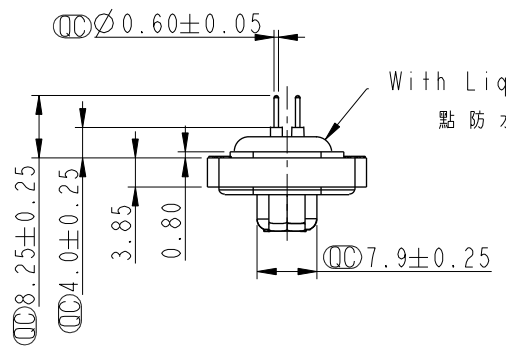
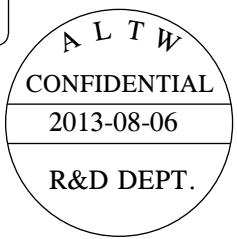
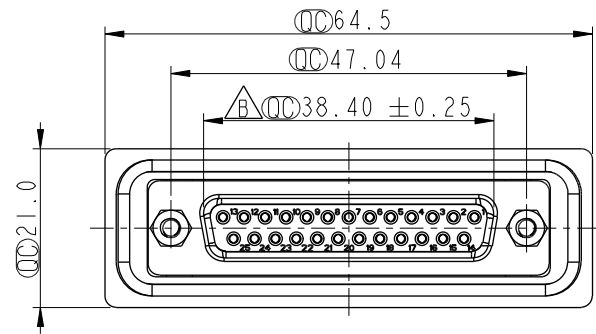
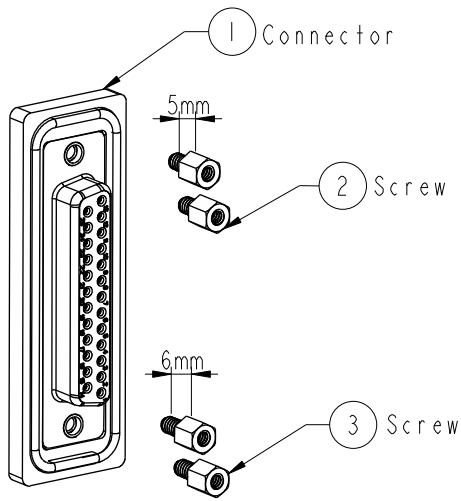


REV.	ECN NO.	DATE	SIGN	DESCRIPTION
B	LEN1380066	2013/08/06	SAM	Change 38.38 to 38.40

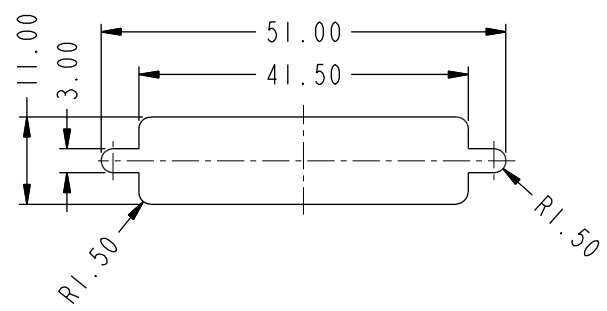


Screw L=5.0 For Panel Thickness Under 1.2mm
適用板厚為1.2mm 以下

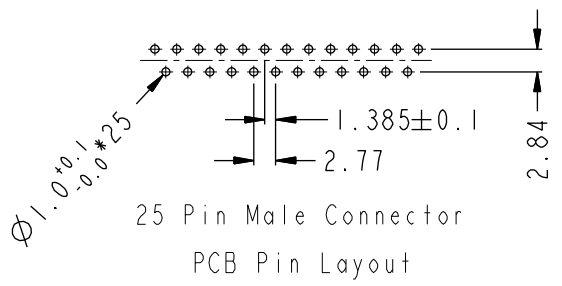
Screw L=6.0 For Panel Thickness Between 1.2~2.0mm
適用板厚為1.2~2.0mm



- Note:
- * \varnothing Important Dimension.
 - * Waterproof Rate : IP68
IP68: 1M of depth of water 24 hours
(防水等級: IP68)
(IP68: 1米水深24小時)
 - * Do Mating Test After Glued
點膠後, 須作對插測試
 - * D-SUB Conn. : Black Core , PBT
 - * Plastic Jacket : Black , Nylon+GF
 - * Pin : Copper Alloy , Gold Plated
 - * Ring : Light Blue, Silicone
 - * Screw : Copper Alloy, Nickel Plated, #4-40 UNC



Recommended Panel Cut-Out
建議挖孔尺寸



UNIT: mm		
TOLERANCE	.X ±0.25	
	.XX ±0.1	
	.XXX ±0.05	
ANGLES	±1°	

TITLE D-SUB Conn. Panel Screw DB25P F Conn F Pin			
SCALE 1:1	SIZE A4	SHEET 1 OF 1	
REV. B	WC-REV. A.3	\varnothing : Inspection item	

Amphenol LTW
安費諾亮泰企業股份有限公司

ITEM NO SDB-25PFFP-SL8001	DRAWN BY SamChang	DATE 2013-08-06
DWG NO SDB-25PFFP-SL8001	CHECKED BY Rita	DATE 2013-08-06
CUSTOMER ALTW	APPROVED BY Maslow	DATE 2013-08-06

THIS DOCUMENT IS SUBJECT TO CHANGE WITHOUT NOTICE. IT IS CONFIDENTIAL AND A PROPERTY OF Amphenol LTW. DISCLOSURE TO THIRD PARTY HAS TO BE AUTHORIZED BY Amphenol LTW.