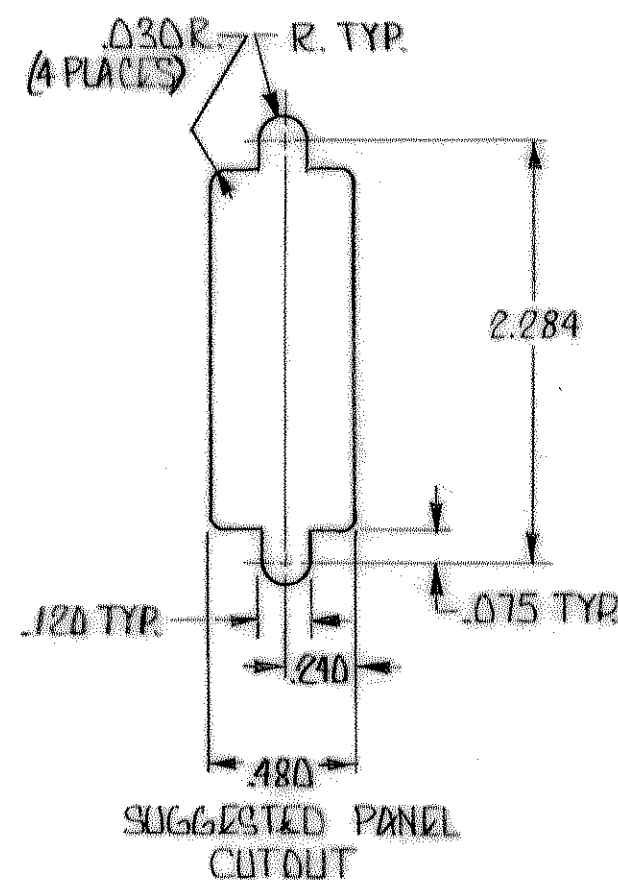
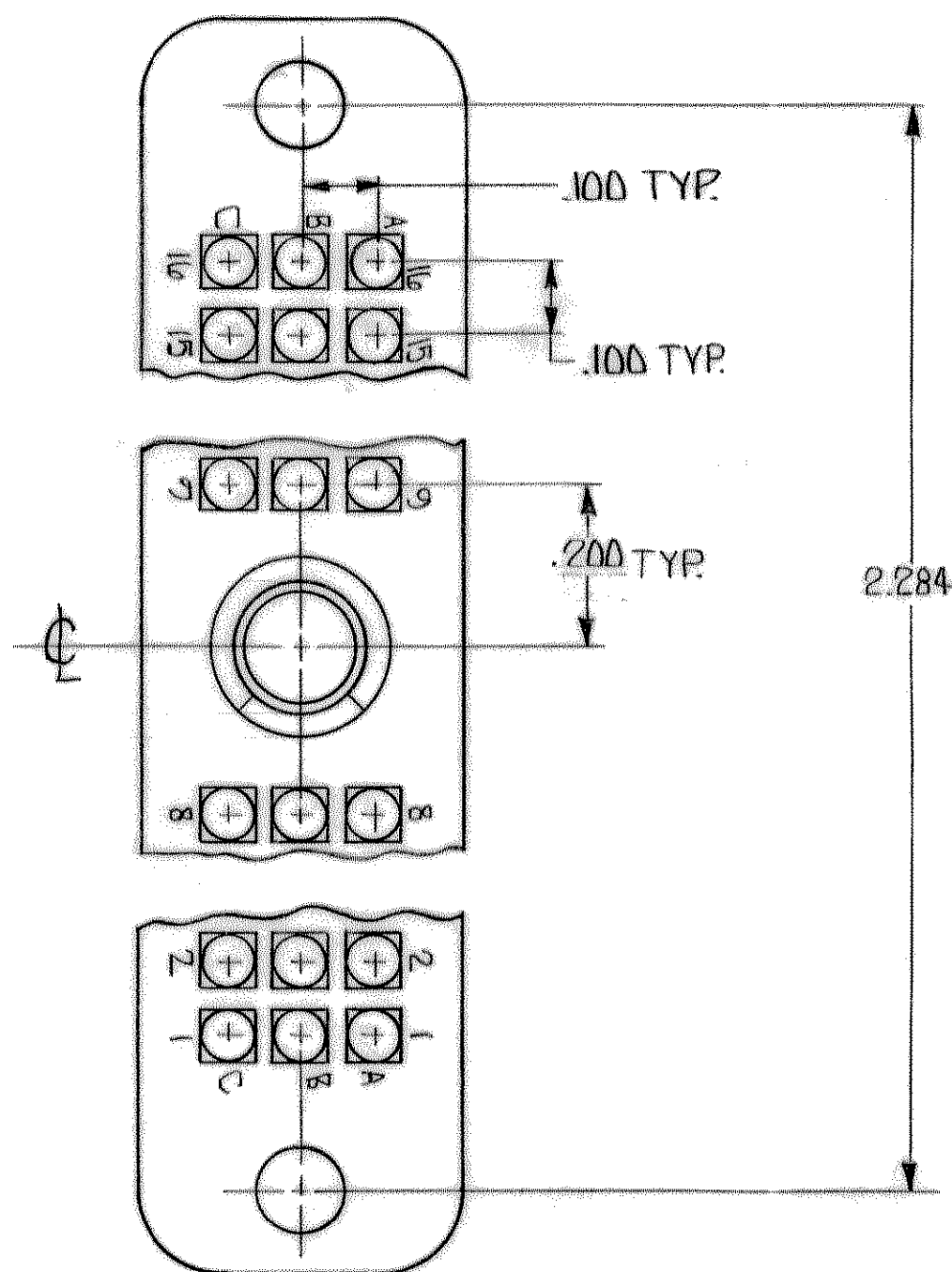
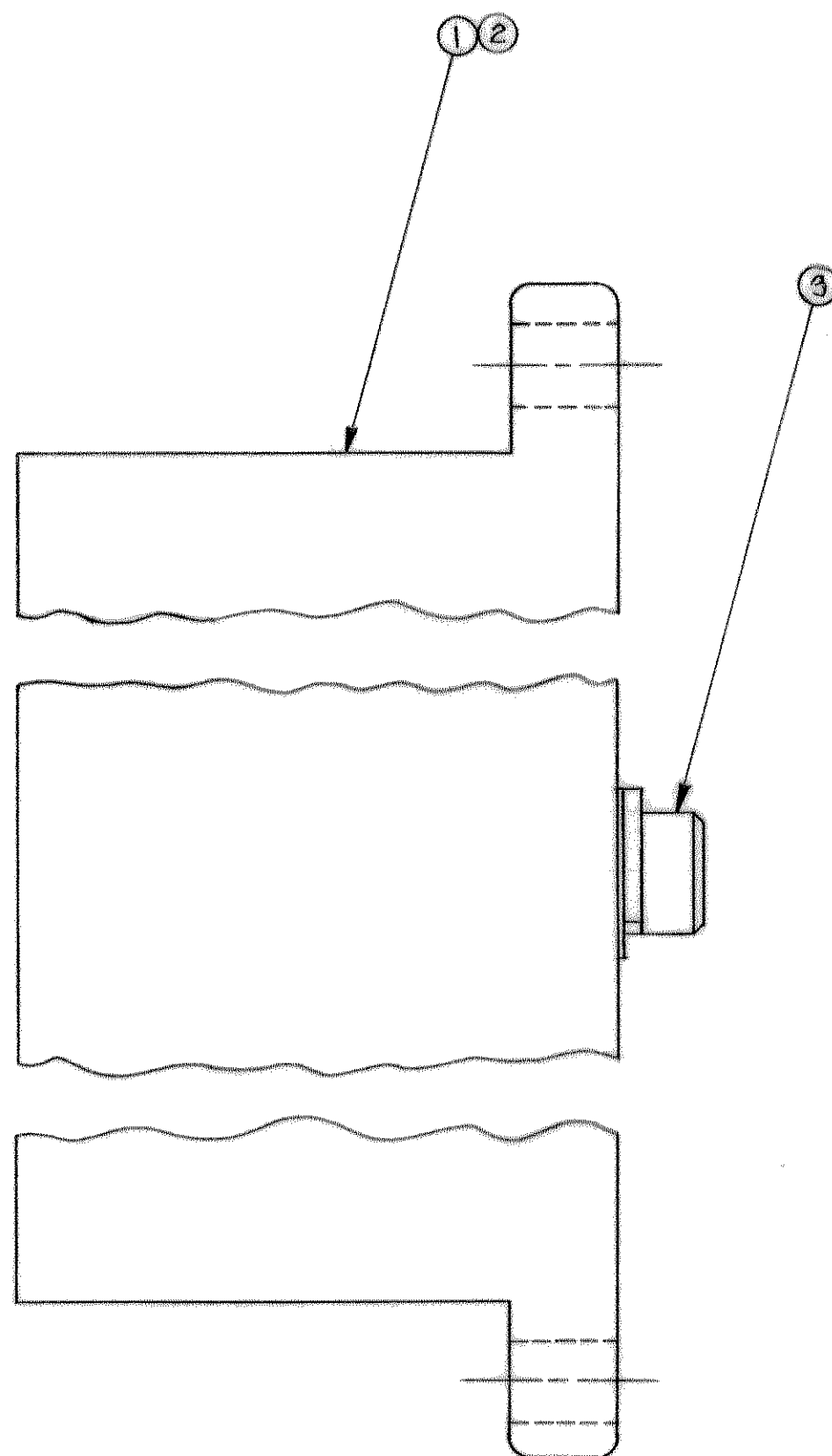


© 1968 BY AMP INCORPORATED. ALL RIGHTS RESERVED. AMP PRODUCTS COVERED BY PATENTS AND/OR PATENTS PENDING.

REVISIONS				
ZONE	LTR	DESCRIPTION	DATE	APPROVED
A	REV PER	0630-276-01	CT	8-02 CT

Unpublished copy not to be reproduced without written permission of AMP



QTY	UNIT	SIZE	NUMBER	NAME	REMARKS	ITEM NO.
1	A	204279-1	JACKSCREW ASSY	FIXED FEMALE		3
1	C	204282-8	BLOCK	DIALYL PHTHALATE, BLUE		2
1	C	204282-8	BLOCK	PHENOLIC, BLACK		1
-2	I	DWG	SIZE			

REQUIRED PER ASSY.

UNLESS OTHERWISE SPECIFIED DIMENSIONS ARE IN INCHES TOLERANCES ON : DECIMALS ± .005 ANGLES ± #	CONTRACT NO.		AMP AMP INCORPORATED HARRISBURG, PENNSYLVANIA	
	DR <i>J. Sayler</i> 10-20-69			
	MATERIAL		NAME 48 POSITION "HDR" RECEPTACLE ASSEMBLY WITH FIXED FEMALE JACKSCREW	
	#		SIZE	CODE IDENT NO.
		C	00779	204734
		SCALE		SHEET 1 OF 1

LOC DE
PRINT DIST 000

NUMBER 204734