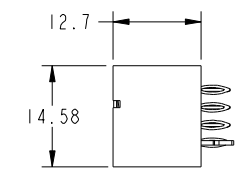
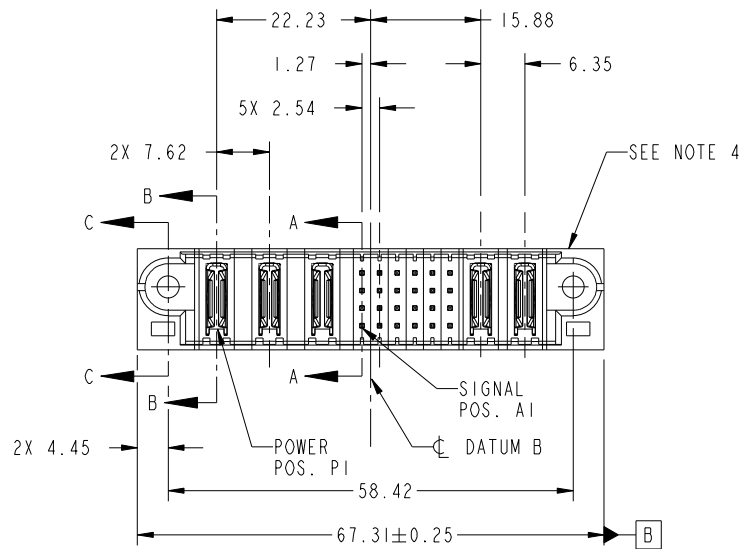


Tous droits strictement réservés. Reproduction ou communication a des tiers interdite sous quelque forme que ce soit sans autorisation écrite du propriétaire. Propriete de c FCI. Droits de reproduction FCI.



All rights strictly reserved. Reproduction or issue to third parties in any form whatever is not permitted without written authority from the proprietor. Property of FCI. Copyright FCI.

PRODUCT NO.	ROWS	POWER			SIGNAL				POWER		E2			
		E1	P1	P2	P3	1	2	3	4	5		6	P4	P5
51952-179-- NOTE ③	D C B A													



CODE	DIM "M" MATING LENGTH	CONTACT TYPE
PC	[N/A]	POWER
G	[6.86]	SIGNAL
HA	[N/A]	HOLD-DOWN
K	[5.59]	SIGNAL

mat'l code				tolerances unless otherwise specified				CUSTOMER		FCI	
ltr	ecn no.	dr	date	linear	0.X ±0.5		COPY		www.fciconnect.com		
A	DG10-0448	AL	12/11/10	angles	0.XX ±0.25		projection		title		
					0.XXX ±0.1				3ACP + 24S + 2P		
				dr	0° ±2°				VERTICAL PRESS-FIT HEADER		
				enr	Anson Liu	12/11/10	scale		product family		code
				chr	Anson Liu	12/11/10	1:1		PwrBlade		213
				appd	Jerome Chen	12/11/10			size		sheet
sheet index		revision sheet		A A A A				A		1 of 4	
1		2		3		4					

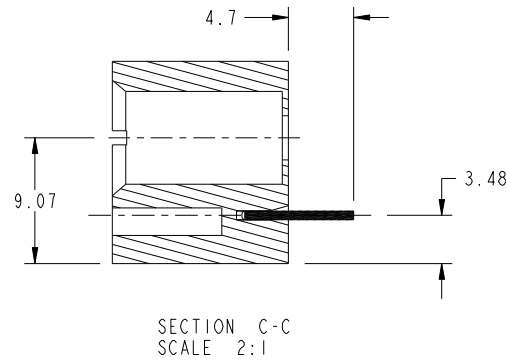
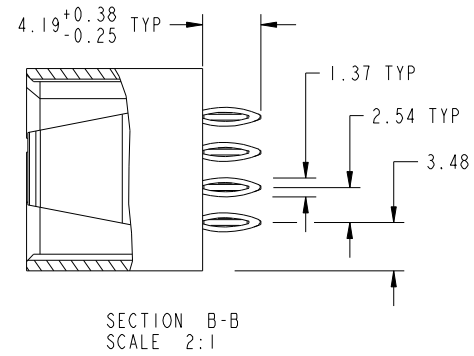
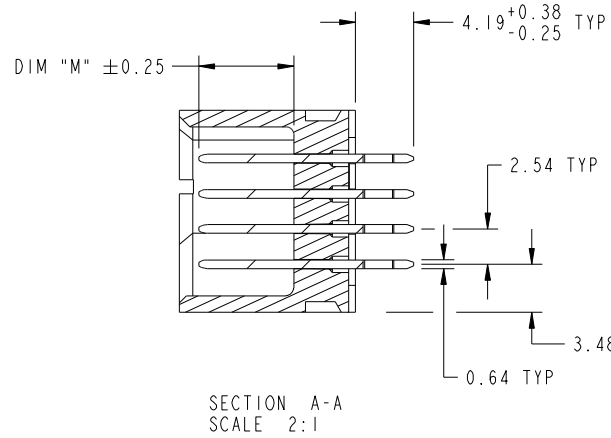
cage code				22526			
-----------	--	--	--	-------	--	--	--

Tous droits strictement reserves. Reproduction ou communication a des tiers interdite sous quelque forme que ce soit sans autorisation écrite du propriétaire. Propriete de c FCI. Droits de reproduction FCI.

All rights strictly reserved. Reproduction or issue to third parties in any form whatever is not permitted without written authority from the proprietor. Property of FCI. Copyright FCI.



PRODUCT NUMBER  
51952-179\_\_  
NOTE 3



mat'l code				tolerances unless otherwise specified		CUSTOMER		FCI	
ltr	ecr no.	dr	date	linear	0.X ±0.5	COPY		www.fciconnect.com	
A					0.XX ±0.25	projection		title	
					0.XXX ±0.1			3ACP + 24S + 2P VERTICAL PRESS-FIT HEADER	
				angles	0° ±2°			product family PwrBlade code	
				dr	Anson Liu 12/11/10	scale		size	
				enr	Anson Liu 12/11/10	1:1		dwg no	
				chr	Anson Liu 12/11/10	A		51952-179	
				appd	Jerome Chen 12/11/10			sheet	
sheet index		revision sheet						2 of 4	

cage code 22526

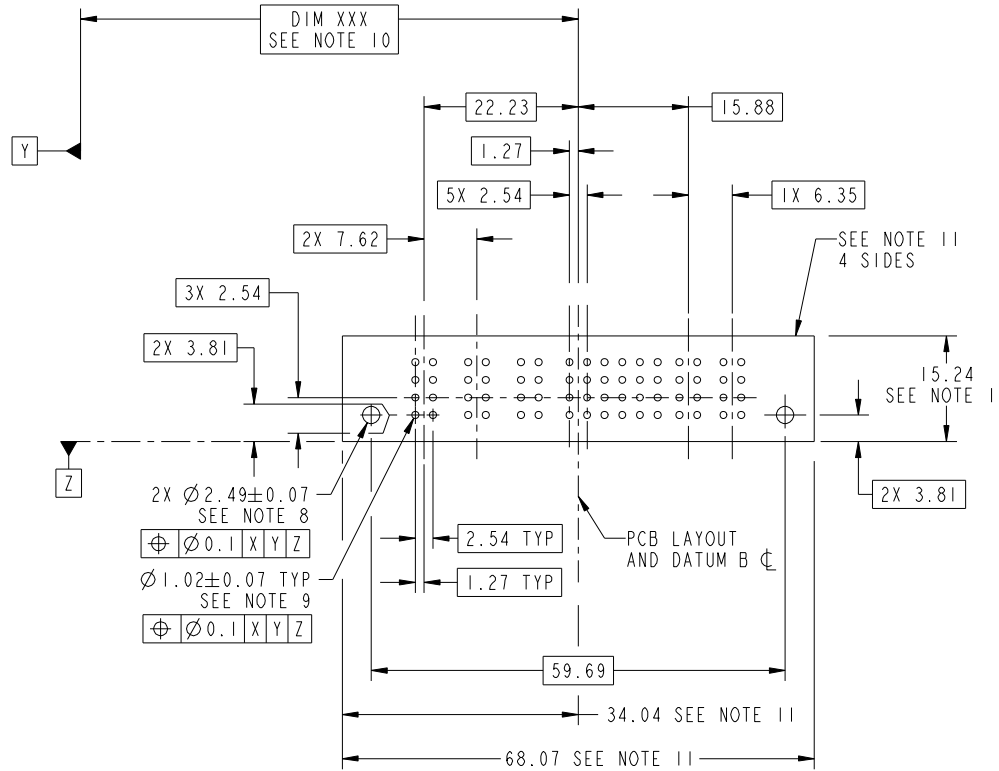
Pro/E

Tous droits strictement reserves. Reproduction ou communication a des tiers interdite sous quelque forme que ce soit sans autorisation écrite du propriétaire. Propriete de c FCI. Droits de reproduction FCI.



All rights strictly reserved. Reproduction or issue to third parties in any form whatever is not permitted without written authority from the proprietor. Property of FCI. Copyright FCI.

PRODUCT NUMBER  
51952-179\_\_  
NOTE 3



mat'l code				tolerances unless otherwise specified		CUSTOMER		www.fciconnect.com	
ltr	ecn no.	dr	date	linear	0.X ± 0.5	COPY		title	
A					0.XX ± 0.25	projection		3ACP + 24S + 2P	
				angles	0.XXX ± 0.1			VERTICAL PRESS-FIT HEADER	
				dr	0° ± 2°	MIM		product family PwrBlade code	
				enr	Anson Liu 12/11/10	scale		size	
				chr	Anson Liu 12/11/10	1:1		dwg no 213	
				appd	Jerome Chen 12/11/10	A		sheet 3 of 4	
sheet index		revision sheet							

cage code 22526

Pro/E

Tous droits strictement reserves. Reproduction ou communication a des tiers interdite sous quelque forme que ce soit sans autorisation écrite du propriétaire. Propriete de c FCI. Droits de reproduction FCI.



All rights strictly reserved. Reproduction or issue to third parties in any form whatever is not permitted without written authority from the proprietor. Property of FCI. Copyright FCI.

PRODUCT NUMBER  
51952-179--  
NOTE 3

NOTES:

1. DIMENSIONS AND TOLERANCES ARE IN ACCORDANCE WITH ASME Y14.5M, 1994 UNLESS OTHERWISE SPECIFIED.

CONNECTOR NOTES:

- 2 HOUSING MATERIAL: UL 94 V-0 GLASS FILLED HIGH-TEMP THERMOPLASTIC  
POWER CONTACT MATERIAL: COPPER ALLOY  
SIGNAL PIN MATERIAL: COPPER ALLOY
- 3. PLATING:  
SEE ITEM 3 & 4 IN PRINT 10064183 FOR PLATING SPEC OF 51952-179; 51952-179LF PRESPECTIVELY
- 4 MANUFACTURER'S NAME, DATE CODE AND OPTIONAL P/N TO APPEAR ON THIS SURFACE. THE P/N CAN BE OMITTED IF THERE IS NOT ENOUGH SPACE ON THIS SURFACE.
- 5. PRODUCT SPECIFICATION GS-12-149.  
APPLICATION SPECIFICATION BUS-20-067.

6. PACKAGED IN TRAYS.

PCB NOTES:

- 7. ALL HOLE DIAMETERS ARE FINISHED HOLE SIZE.
- 8. MOUNTING HOLES, WHERE APPLICABLE, ARE UNPLATED.

9  $\varnothing 1.151 \pm 0.025$  DRILLED HOLES PLATED WITH  
0.008 MIN SnPb OR Sn OVER .001 [0.03]  
TO 0.08 Cu PLATING TO ACHIEVE  
 $\varnothing 1.02 \pm 0.07$  HOLE.

10 "DIM XXX" TO BE DETERMINED BY THE CUSTOMER.

11 CONNECTOR KEEP-OUT ZONE.

12. FOR PRESS FIT APPLICATION USE FCI CAM TOOL 430169-XXX.

mat'l code				tolerances unless otherwise specified		CUSTOMER		FCI	
ltr	ecr no.	dr	date	linear	0.X ± 0.5	COPY		www.fciconnect.com	
A				linear	0.XX ± 0.25	projection		title	
				angles	0.XXX ± 0.1			3ACP + 24S + 2P VERTICAL PRESS-FIT HEADER	
				dr	0° ± 2°	MIM		product family PwrBlade code	
				enr	Anson Liu 12/11/10			size 213	
				chr	Anson Liu 12/11/10	scale		dwg no 51952-179 sheet	
				appd	Jerome Chen 12/11/10	1:1		4 of 4	
sheet index		revision sheet							

cage code 22526

Pro/E