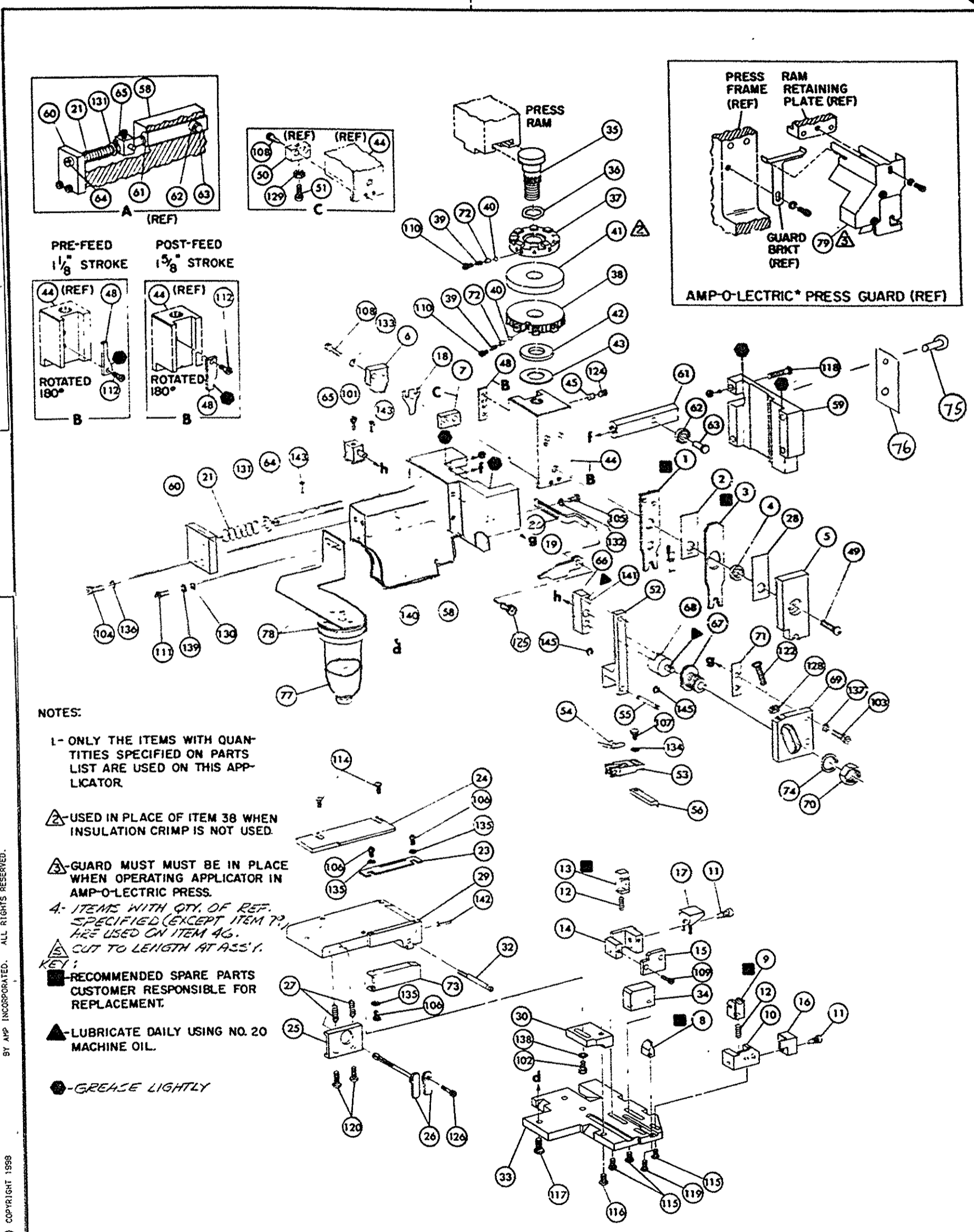


THIS DRAWING IS A CONTROLLED DOCUMENT.



- NOTES:
- 1- ONLY THE ITEMS WITH QUANTITIES SPECIFIED ON PARTS LIST ARE USED ON THIS APPLICATOR.
  - ▲ USED IN PLACE OF ITEM 38 WHEN INSULATION CRIMP IS NOT USED.
  - ▲ GUARD MUST BE IN PLACE WHEN OPERATING APPLICATOR IN AMP-O-LECTRIC PRESS.
  - ▲ ITEMS WITH QTY. OF REF. SPECIFIED (EXCEPT ITEM 79) ARE USED ON ITEM 46. CUT TO LENGTH AT ASS'Y.
  - KEY:
    - RECOMMENDED SPARE PARTS CUSTOMER RESPONSIBLE FOR REPLACEMENT.
    - ▲ LUBRICATE DAILY USING NO. 20 MACHINE OIL.
    - GREASE LIGHTLY

REF.	21045-3	RING, RETAINING 'C' (.187 DIA) FEED FINGER PIN	145	REF.	454220-1	CAP, HOUSING	39
					454485-1	HOUSING	58
REF.	5-21028-1	PIN, SLOT SPR (.125 DIA X .50) ADJ ROD	143				57
1	4-21028-0	PIN, SLOT SPR (.093 DIA X .75) STR G PLATE	142	1	690542-2	PAWL, FEED	56
REF.	1-21030-1	PIN, DOWEL (.187 DIA X .50) LEVER	141	REF.	240624-1	PIN, FEED FINGER	55
REF.	1-21030-6	PIN, DOWEL (.187 DIA X 1.25) HOUSING	140	REF.	691499-1	SPRING, FEED FINGER	54
	21024-5	WASHER, LOCK (NO 10) LUB ASSY	139	REF.	690541-1	FINGER, FEED	53
1	21024-5	WASHER, LOCK (NO 10) STRIP GUIDE ADJ BLOCK	138	REF.	455679-1	LEVER, TERMINAL FEED ARM	52
REF.	21024-5	WASHER, LOCK (NO 4) FRONT STRIP GUIDE	137	1	811212-2	BUMPER, HOLDDOWN	51
REF.	21024-5	WASHER, LOCK (NO 10) FEED GUIDE ROD	136	1	690753-1	SPACER, TONKER	50
3	21057-2	WASHER, LOCK (NO 4) FRONT STRIP GUIDE	135	1	7-21002-9	BOLT, CRIMPER	49
1	21024-4	WASHER, LOCK (NO 8) FEED FINGER	134	1	690602-5	CAM PRE-FEED 1/8 STROKE	48
2	21024-4	WASHER, LOCK (NO 8) DEPRESSOR	133				47
1	21024-4	WASHER, LOCK (NO 8) STRIPPER	132	1	459456-1	APPLICATOR, BASIC (SUB ASSY)	46
REF.	21899-4	WASHER, FLAT (5/16 DIA) SCREW ADJ	131	1	690191-1	PLUG, NYLON	45
	21899-2	WASHER, FLAT (NO 10) LUB ASSY	130	1	455673-1	RAM	44
1	21068-5	NUT, HEX MACH (6-32) HOLDDOWN	129	1	690125-1	WASHER, LAMINATED	43
REF.	21068-5	NUT, HEX MACH (6-32) FEED ADJ	128	1	690124-1	WASHER, RAM	42
			127				41
	27353-8	SCR, SHLD. (.187 DIA X .250 LG) DRAG LEVER	126	2	23241-6	BALL, STEEL	40
1	456567-1	SCR, SHLD. (.188 DIA X .125 LG) STRIPPER	125	2	690170-1	SPRING, COMPRESSION	39
1	21009-2	SCR, SKT SET (1/4-20 X .25) (LOC-WEL) RAM	124	1	690142-1	DISC, INSULATION	38
			123	1	4-690141-9	DISC, WIRE	37
REF.	3-21064-2	SCR, RD HD MACH (6-32 X 1.50) FEED ADJ	122	1	22480-5	WASHER, SPRING	36
2	2-21002-9	SCR, BUT HD SKT CAP (10-32 X .75) DRAG	120	1	690212-1	POST, RAM	35
1	2-21002-9	SCR, BUT HD SKT CAP (8-32 X .38) (LOC-WEL) ANVIL	119	REF.	455675-1	SUPPORT, TERMINAL	34
REF.	2-21002-9	SCR, BUT HD SKT CAP (10-32 X .75) CAP	118	1	690432-3	PLATE, BASE	33
REF.	1-24073-9	SCR, BUT HD SKT CAP (1/4-20 X .75) HOUSING	117				32
REF.	2-21002-7	SCR, BUT HD SKT CAP (10-32 X .50) SG ADJ BLOCK	116	REF.	455689-1	BLOCK, STRIP GUIDE ADJ	31
2	2-21002-2	SCR, BUT HD SKT CAP (8-32 X .50) SHEAR	115	1	456271-1	PLATE, STRIP GUIDE	30
2	2-21002-2	SCR, BUT HD SKT CAP (8-32 X .50) R STRIP GUIDE	114	1	1-455888-0	SPACER, FRONT SHEAR DEPRESSOR	29
1	2-21003-0	SCR, FLAT HD SKT CAP (6-32 X .50) CAM	112	1	1-22284-0	SPRING, DRAG	27
	3-21000-4	SCR, SKT HD CAP (10-32 X .38) LUBRICATOR ASSY	111	1	690546-1	LEVER, DRAG RELEASE	26
2	23030-1	SCR, SKT HD CAP (6-32 X .25) (LOC-WEL) CP DISC	110	1	240792-1	DRAG, STROKE	25
			109	1	690504-2	GUIDE STRIP (REAR)	24
2	2-21000-7	SCR, SKT HD CAP (8-32 X .48) DEPRESSOR	108	1	690438-1	GUIDE, STRIP (FRONT)	23
1	2-22603-0	SCR, HEX HD MACH (8-32 X .31) FEED FINGER	107	REF.	4-22284-9	SPRING, FEED RETURN	22
3	1-21000-3	SCR, SKT HD CAP (4-40 X .25) F STRIP GUIDE	106	1	458950-1	ARM, STRIPPER	21
1	2-21000-7	SCR, SKT HD CAP (8-32 X .50) STRIPPER	105	1	458949-1	STRIPPER	20
REF.	3-21000-7	SCR, SKT HD CAP (10-32 X .75) FEED ROD GUIDE	104				19
REF.	3-21000-6	SCR, SKT HD CAP (10-32 X .62) FEED ADJ BLOCK	103				18
1	3-21000-4	SCR, SKT HD CAP (10-32 X .38) SG ADJ BLOCK	102	1	691667-1	HOLDER, TERMINAL	17
REF.	3-21000-4	SCR, SKT HD CAP (10-32 X .38) PIVOT BLOCK	101				16
REF.	455749-1	GUARD, WINDOW	79				15
	1-465184-0	LUBRICATOR ASSY	78				14
		OIL, LUBRICATING	77	1	5-22280-0	SHEAR, FLOAT (REAR)	13
1	461264-1	PLATE, ID	76	1	690461-1	SPRING, SHEAR	12
2	21017-2	SCREW, DRIVE	75	1	690459-1	STOP, SHEAR	11
REF.	458109-1	WASHER, SPECIAL	74	1	690457-1	HOLDER, SHEAR (FRONT)	10
1	454977-3	PLATE, STRIP GUIDE COVER	73	1	454276-1	SHEAR, FLOAT (FRONT)	9
2	690603-1	SPRING, ASSIST	72		690515-1	ANVIL	8
REF.	690517-1	SPACER	71				7
	22594-8	NUT, HEX	70	1	455237-7	SPACER, DEPRESSOR (REAR)	6
	240628-1	PLATE, ADJUSTMENT	69	1	2-238011-5	DEPRESSOR, SHEAR (FRONT)	5
	240626-1	SHAFT, PIVOT	68	1	6-456135-3	SPACER, TUBULAR, INS CRIMPER	4
	240633-1	BUSHING	67	1	456282-5	CRIMPER, INSULATION	3
	455680-1	LEVER, INTERMEDIATE	66	1	3-456408-1	SPACER, CRIMPER	2
	240629-1	BLOCK, PIVOT	65				1
	240632-2	SCREW, ADJUSTMENT FEED ROD	64				
	240629-3	PIN, CAM ROLLER	63				
	240658-1	ROLLER, CAM	62				
	454396-2	ROD, FEED	61				
REF.	454178-1	GUIDE, FEED ROD	60				

QTY	PART NO	DESCRIPTION	ITEM NO	CRIMPING DATA	APPLICATOR WILL APPLY			
				PAD LTR	CRIMP HEIGHT	WIRE SIZE	STRIP LENGTH	
				A	.043	22 or 24	.111-.140	66186
				B	NOT USED			66235
				C	NOT USED			
				D	NOT USED			
				CRIMP SIZE	TYPE	FEED	APPL INST	
				WIRE	170	F	A1 8040	
				INSUL	080	O	.350	
				WIRE RANGE	24-32	INSULATION RANGE	040-.050	PRESS NO
								565435-5
				REMARKS	PRE-FEED AMP-O-LECTRIC			

REMARKS	NO	REV
APPL USED ON MACHINE PART NO	MACH SERIAL NO	DISTRIBUTION
CUSTOMER NAME	APPL SERIAL NO	ORIGINAL
ADDRESS	PURCHASE ORDER	CUSTOMER COPY
CITY	ENG APP	FIELD ENG COPY

DIST 66

\* Trademark of AMP Incorporated

AMP 2983-3 (8-73)

CAGE CODE 00779 CUSTOMER AND ASSEMBLY DRAWING

RESTRICTED TO