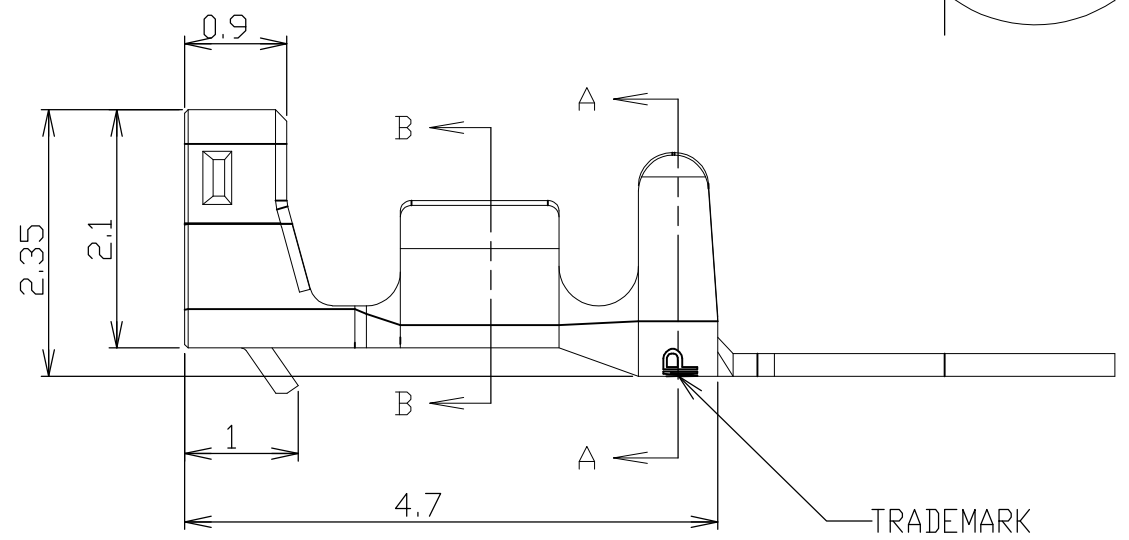
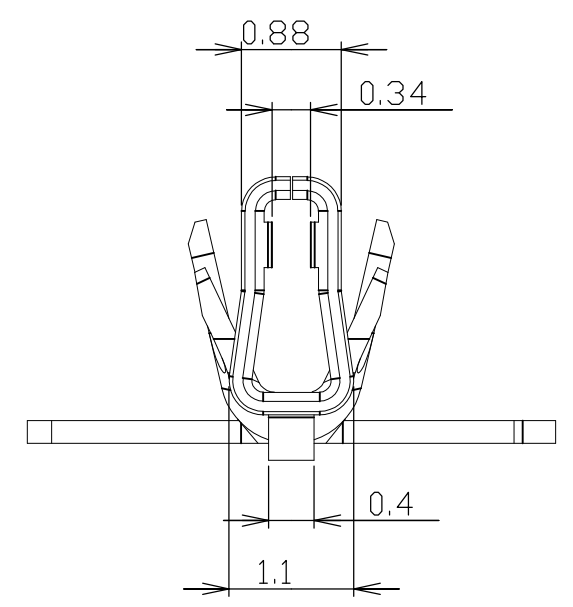
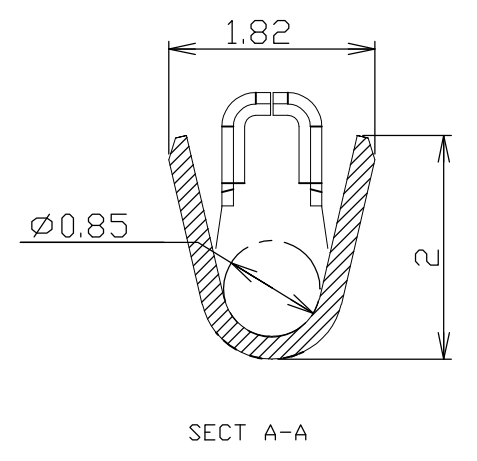
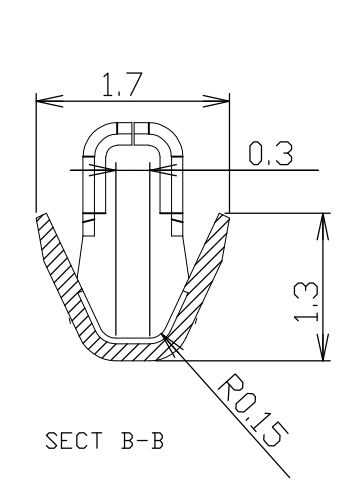
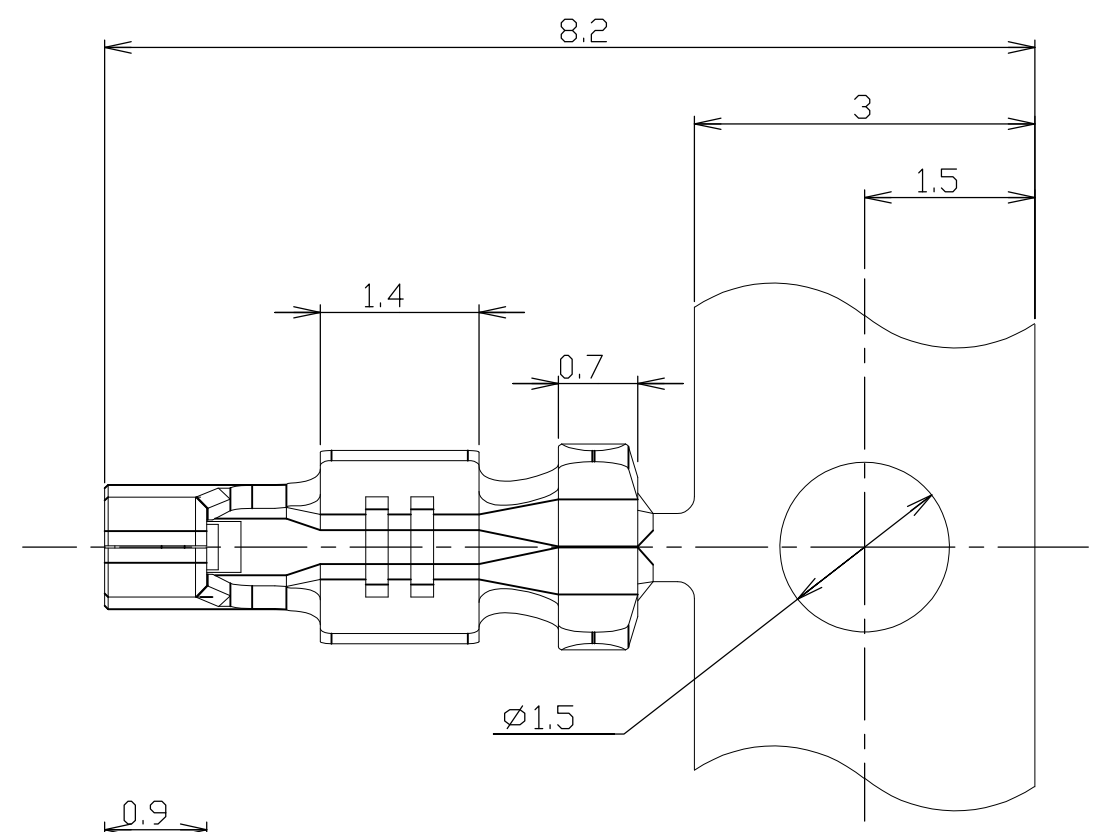
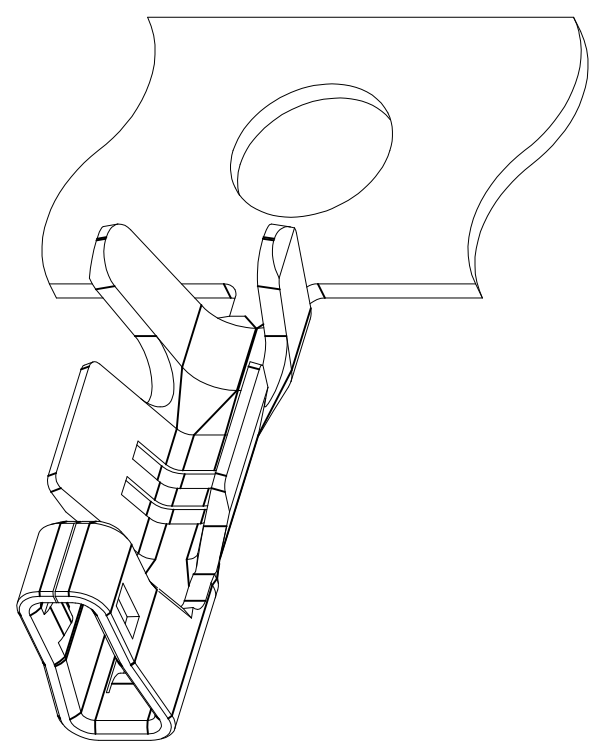


THIS DRAWING IS UNPUBLISHED. RELEASED FOR PUBLICATION
 © COPYRIGHT - By - ALL RIGHTS RESERVED.

LOC	DIST	REVISIONS					
ES	00	P	LTR	DESCRIPTION	DATE	DWN	APVD
				C1 REVISED PER ECO-11-005033	25MAR11	RK	HMR



NOTES:
 1. LOOSE PIECE CONTACT P/N:353918-1
 2. USE WITH HOUSING P/N:X-353908-X

353907-1 AS SHOWN

GENERAL TOLERANCE

10 ≥	±0.2
30 ≥ > 10	±0.25
100 ≥ > 30	±0.3
ANGLES: ±3°	

THIS DRAWING IS A CONTROLLED DOCUMENT.

DIMENSIONS:	TOLERANCES UNLESS OTHERWISE SPECIFIED:
mm	
	0 PLC ±-
	1 PLC ±-
	2 PLC ±-
	3 PLC ±-
	4 PLC ±-
	ANGLES ±-
MATERIAL	FINISH
PHOS-BRONZE, 0.2mm THK	PRE-TIN

WIRE RANGE	INSULATION DIA	DWN		APVD	
0.22mm ² ~ 0.08mm ² (AWG#24~AWG#28)	Ø1.05~Ø0.85	H.HOSHINO	26.APR'97	J.TANIGAWA	
		CHK	26.APR'97	WL CHOO	
		PRODUCT SPEC			
		108-60025			
		APPLICATION SPEC			
		114-5245			
		WEIGHT			
		0.02g/ea			
CUSTOMER DRAWING		SIZE	CAGE CODE	DRAWING NO	RESTRICTED TO
		A3	00779	C-353907	-
		SCALE	SHEET	REV	
		NON	1 OF 1	C1	



AMP MINI COMMON TERMINATED (CT)
 CONNECTOR 1.5mm PITCH
 RECEPTACLE CONTACT(AWG#24~#28), CRIMP TYPE