

NOTES:

1. MATERIAL:

HOUSING: LCP,UL94V-0,COLOR:BLACK.  
 TERMINAL:COPPER ALLOY.  
 PICK AND PLACE COVER:LCP.  
 SOLDER BALL:SEE THE TABLE.

2. PLATING:

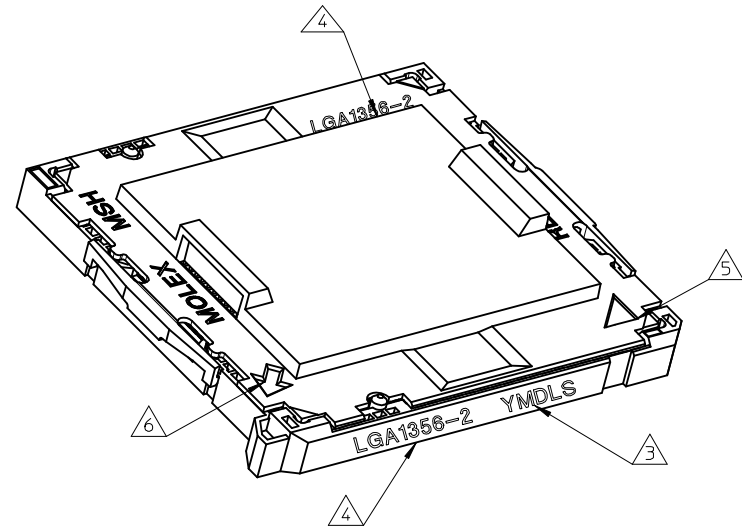
SEE TABLE FOR GOLD ON CONTACT AREA.  
 1.27 MICROMETER NICKEL UNDERPLATE.

- 3. DATE-CODE LOCATION. AND DATE-CODE \*YMDLS\* IS DEFINED AS:YEAR/MONTH/DAY/LS(LS IS MOLEX INTERNAL CONTROLLED)
- 4. PRODUCT NAME TO BE INDICATED IN THIS AREA.

5. SOCKET PIN 1 INDICATOR.

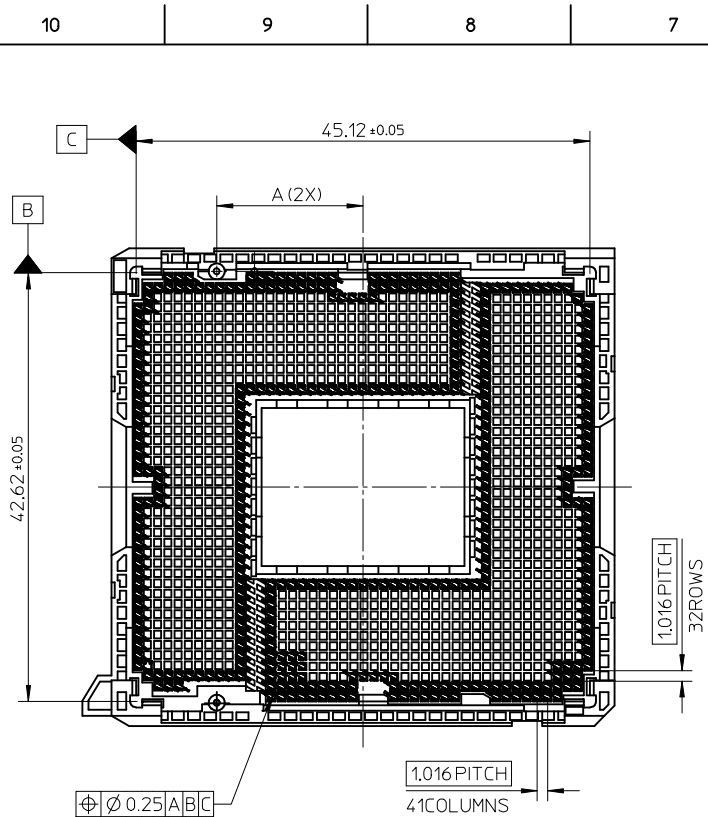
6. ARROW INDICATE THE ALIGN KEY FOR ILM ASSEMBLY.

- 7. PRODUCT SPECIFICATION PS-47594-001 APPLIES.
- 8. PRODUCT PACKAGE PK-47594-003 APPLIES.
- 9. THE PARTS 47594\*001/\*002 COMPLIANT TO RoHS DIRECTIVE 2002/95/EC AND ELV 2000/53/EC.

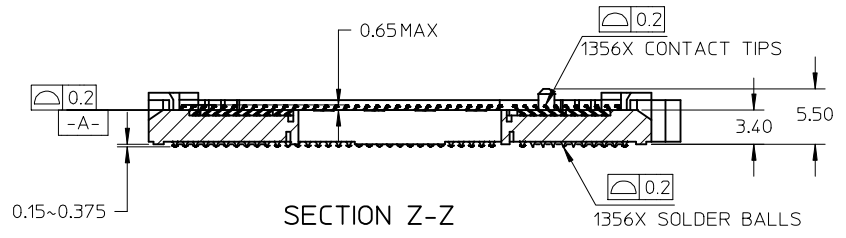
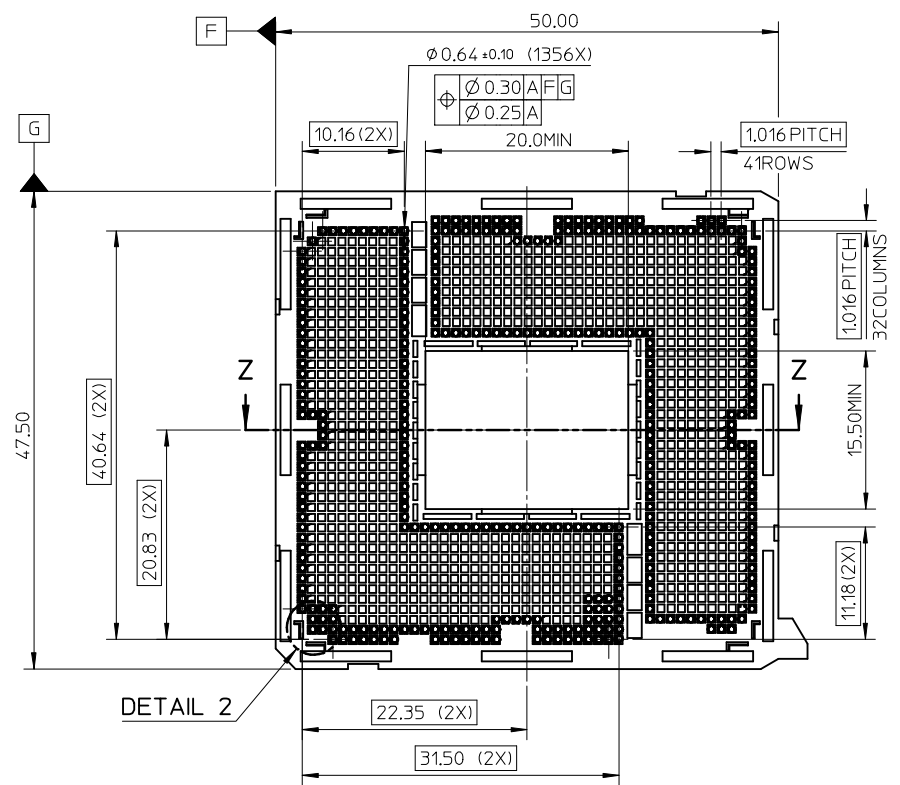
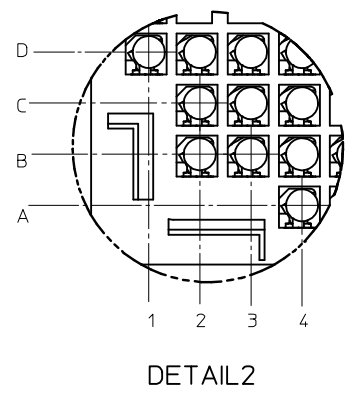


LGA1356 SOCKET PART NUMBER LIST					PART NAME	REMARK
P/N	CUSTOMER	TERMINAL PLATING	SOLDER BALL	RoHS COMPLIANT		
475943001	GENERAL	15u*(0.38um)	LEAD FREE	YES	LGA1356-2(B2)	DIM.A=12.85
475943002	GENERAL	30u*(0.76um)				

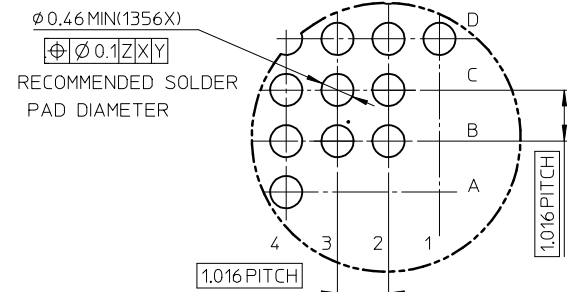
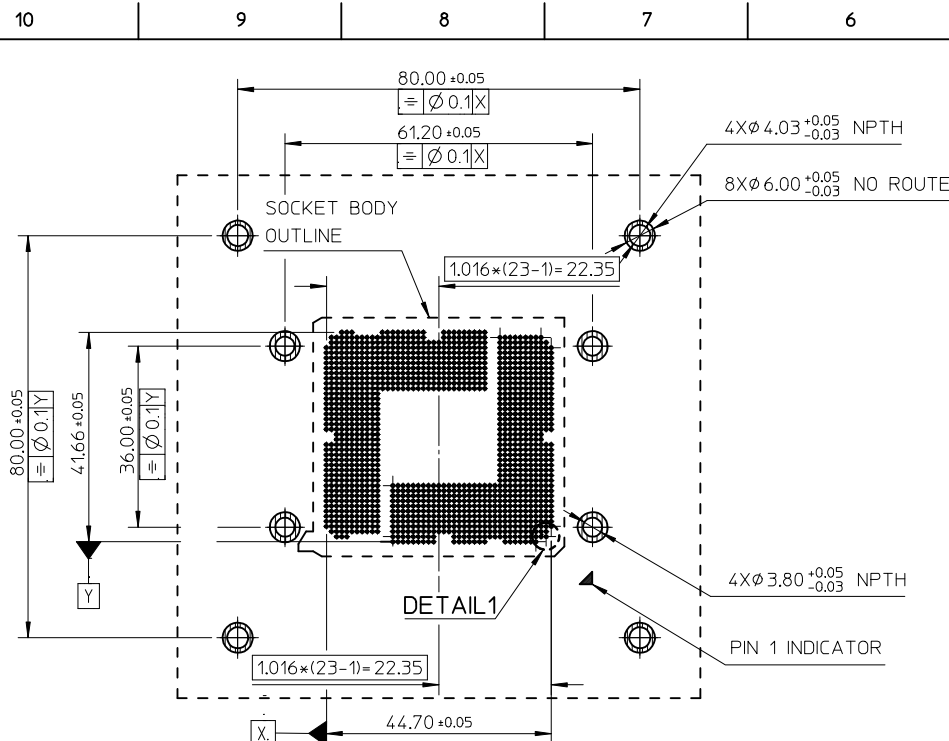
RELEASED EC NO: SH2013-0064 DRWN: YZHENG 2012/06/12 CHKD: APPR: AYIN 2013/02/04	DESCRIPTION REV	QUALITY SYMBOLS	GENERAL TOLERANCES (UNLESS SPECIFIED)	DIMENSION STYLE	SCALE	DESIGN UNITS	THIRD ANGLE PROJECTION	
		$F_A=0$ $F_C=0$ $F_B=0$	mm INCH 4 PLACES ± --- ± --- 3 PLACES ± --- ± --- 2 PLACES ± 0.20 ± --- 1 PLACE ± 0.25 ± --- ANGULAR ± 1°	MM ONLY	2:1	METRIC	DRAWN BY: JZHANG11 DATE: 2010/2/10 CHECKED BY: DATE:	TITLE: LGA1356 SOCKET FULL ASSEMBLY
			DRAFT WHERE APPLICABLE MUST REMAIN WITHIN DIMENSIONS	APPROVED BY: AYIN DATE: 2011/07/12	MATERIAL NO. SEE TABLE	MOLEX INCORPORATED	DOCUMENT NO. SD-47594-100	SHEET NO. 1 OF 3
				THIS DRAWING CONTAINS INFORMATION THAT IS PROPRIETARY TO MOLEX INCORPORATED AND SHOULD NOT BE USED WITHOUT WRITTEN PERMISSION				



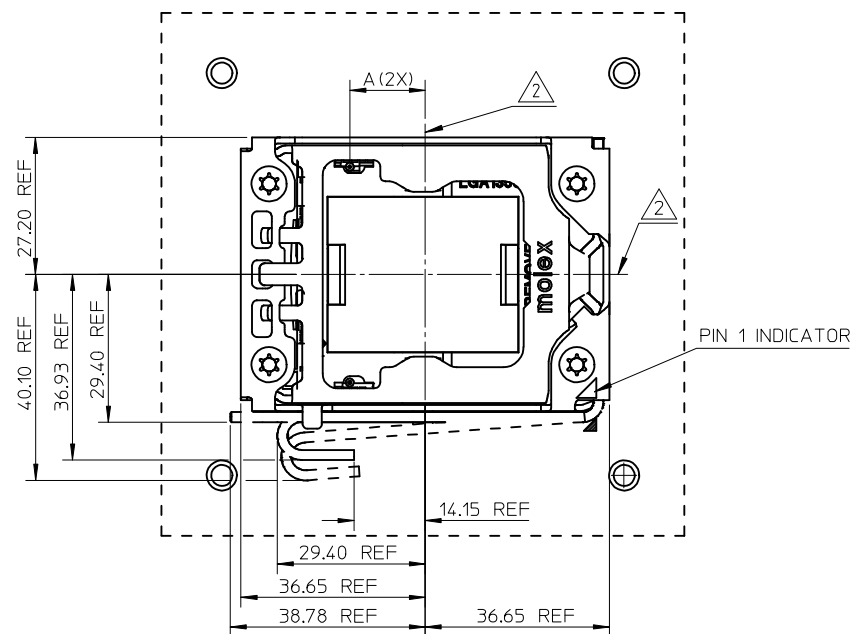
$\varnothing 0.25$  ABC  
 1356X CONTACT POINTS  
 FOR PACKAGE LAND



RELEASED EC NO: SH2013-0064 DRWN: YXZHENG CHKD: APPR: AYIN	2012/06/12 2013/02/04	DESCRIPTION REV	QUALITY SYMBOLS	GENERAL TOLERANCES (UNLESS SPECIFIED)	DIMENSION STYLE	SCALE	DESIGN UNITS	THIRD ANGLE PROJECTION	
			$\nabla = 0$	mm INCH	MM ONLY	2:1	METRIC	☉	
			$\nabla = 0$	4 PLACES ± --- ± ---	DRAWN BY DATE	TITLE	LGA1356 SOCKET FULL ASSEMBLY		
			$\nabla = 0$	3 PLACES ± --- ± ---	JZHANG11 2010/2/10		MOLEX INCORPORATED		
	2 PLACES ± 0.20 ± ---	2011/07/12	APPROVED BY DATE	SEE TABLE	SD-47594-100	SHEET NO. 2 OF 3			
	1 PLACE ± 0.25 ± ---		MATERIAL NO.	THIS DRAWING CONTAINS INFORMATION THAT IS PROPRIETARY TO MOLEX INCORPORATED AND SHOULD NOT BE USED WITHOUT WRITTEN PERMISSION					
	ANGULAR ± 1 °		SIZE						
			A3						

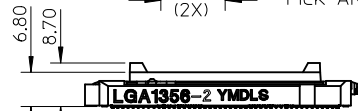
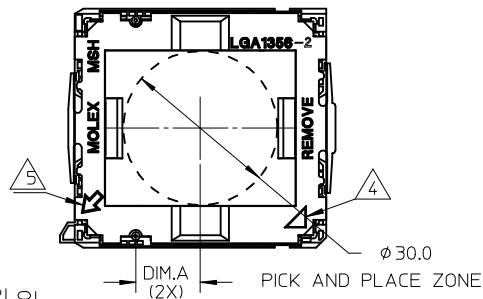


DETAIL 1  
SCALE 10:1



SOCKET ON PCB(FOR REFERENCE ONLY)  
LOAD PLATE IS NOT LOCKED

RECOMMEND PCB LAYOUT  
THICKNESS ARE 1.57+/-0.10 OR 2.54+/-0.10



NOTES

1. DATUM A IS THE PLANE WHICH SOCKET WILL BE SEATED.
2. GEOMETRIC CENTER OF CPU PACKAGE/SOCKET HOUSING CAVITY.
3. BOARD COMPONENT KEEP-INS AND MECHANICAL KEEP-OUTS TO BE UTILIZED WITH SUFFICIENT ALLOWANCES FOR PLACEMENT AND SIZE TOLERANCES ASSEMBLY PROCESS ACCESS, AND DYNAMIC EXCURSIONS.
4. SOCKET PIN 1 INDICATOR.
5. ARROW INDICATE THE ALIGN KEY FOR ILM ASSEMBLY.
6. ASSUME SYMMETRY FOR UNDIMENSIONED CORNERS AND EDGES.

<b>RELEASED</b> IEC NO: SH2013-0064 DRWN: YXZHENG 2012/06/12 CHKD: APPR: AYIN 2013/02/04	QUALITY SYMBOLS $\nabla = 0$ $\nabla = 0$ $\nabla = 0$	GENERAL TOLERANCES (UNLESS SPECIFIED)		DIMENSION STYLE <b>MM ONLY</b>	SCALE <b>1:1</b>	DESIGN UNITS <b>METRIC</b>	THIRD ANGLE PROJECTION		
		4 PLACES ± --- ± --- 3 PLACES ± --- ± --- 2 PLACES ± 0.20 ± --- 1 PLACE ± 0.25 ± --- ANGULAR ± 1°	mm    INCH	DRAWN BY    DATE JZHANG11 2010/2/10	TITLE <b>LGA1356 SOCKET FULL ASSEMBLY</b>				
		DRAFT WHERE APPLICABLE MUST REMAIN WITHIN DIMENSIONS	APPROVED BY    DATE AYIN 2011/07/12		<b>molex</b> MOLEX INCORPORATED		SHEET NO. <b>3 OF 3</b>		
			MATERIAL NO.    DOCUMENT NO. <b>SEE TABLE</b> <b>SD-47594-100</b>		THIS DRAWING CONTAINS INFORMATION THAT IS PROPRIETARY TO MOLEX INCORPORATED AND SHOULD NOT BE USED WITHOUT WRITTEN PERMISSION				

NOTES:

1. MATERIAL:

HOUSING: LCP,UL94V-0,COLOR:BLACK.  
 TERMINAL:COPPER ALLOY.  
 PICK AND PLACE COVER:LCP.  
 SOLDER BALL:SEE THE TABLE.

2. PLATING:

SEE TABLE FOR GOLD ON CONTACT AREA.  
 1.27 MICROMETER NICKEL UNDERPLATE.

3. DATE-CODE LOCATION, AND DATE-CODE "YMDLS"  
 IS DEFINED AS:YEAR/MONTH/DAY/LS(LS IS MOLEX INTERNAL CONTROLLED)

4. PRODUCT NAME TO BE INDICATED IN THIS AREA.

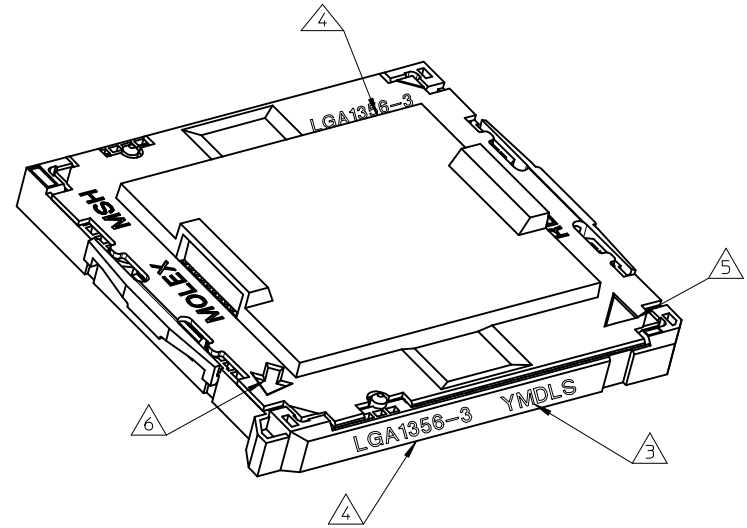
5. SOCKET PIN 1 INDICATOR.

6. ARROW INDICATE THE ALIGN KEY FOR ILM ASSEMBLY.

7. PRODUCT SPECIFICATION PS-47594-001 APPLIES.

8. PRODUCT PACKAGE PK-47594-003 APPLIES.

9. THE PARTS 47594\*001/\*002 COMPLIANT TO RoHS  
 DIRECTIVE 2002/95/EC AND ELV 2000/53/EC.

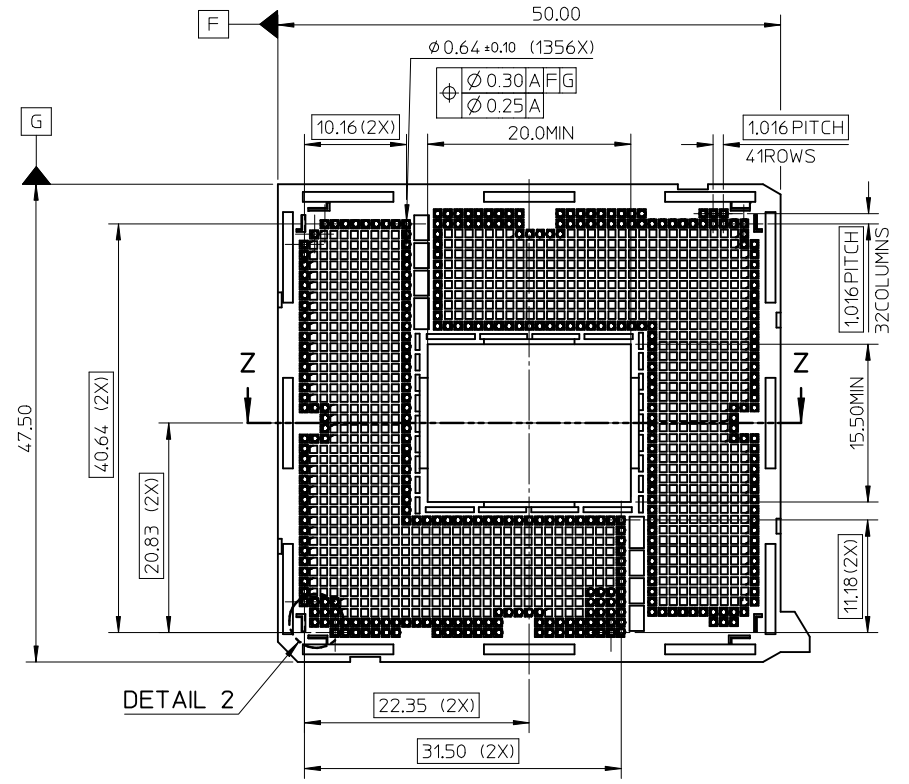
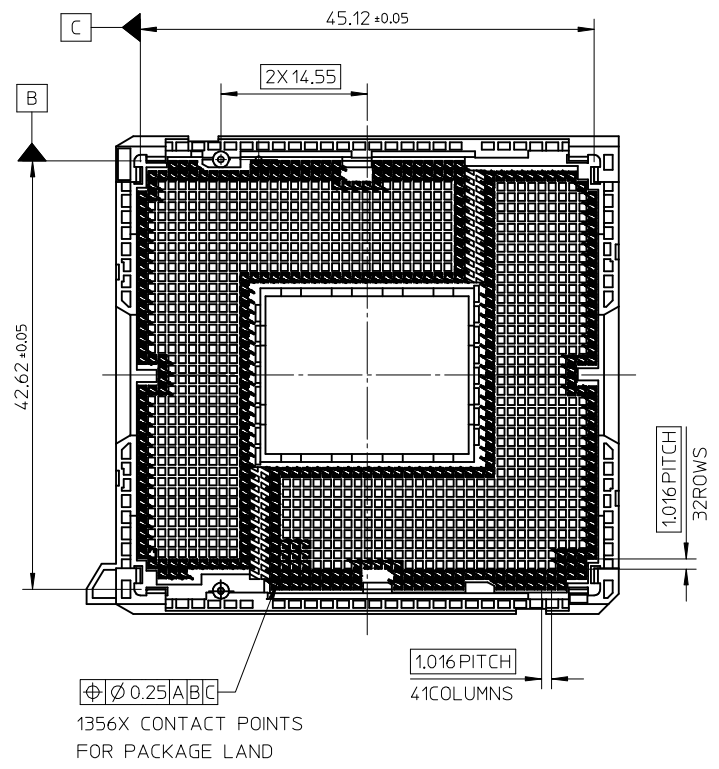


LGA1356 SOCKET PART NUMBER LIST					PART NAME
P/N	CUSTOMER	TERMINAL PLATING	SOLDER BALL	RoHS COMPLIANT	
475942001	GENERAL	15u*(0.38um)	LEAD FREE	YES	LGA1356-3(B3)
475942002	GENERAL	30u*(0.76um)			

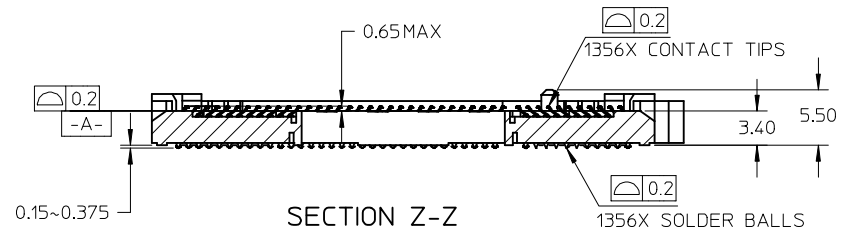
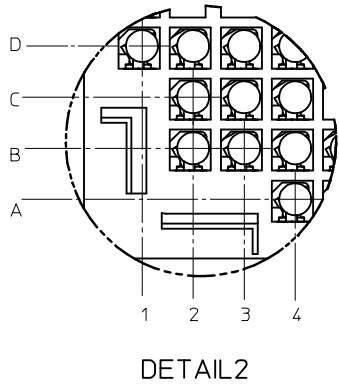
NEW RELEASED EC NO: SH2013-0064 DRWN: YXZHENG 2012/09/24 CH'KD: APPR: AYIN 2013/02/04 REV 1	QUALITY SYMBOLS	GENERAL TOLERANCES (UNLESS SPECIFIED)		DIMENSION STYLE	SCALE	DESIGN UNITS	THIRD ANGLE PROJECTION
	$F_{\square}=0$	mm	INCH	MM ONLY	2:1	METRIC	
	$F_{\square}=0$	4 PLACES ± --- ± ---	3 PLACES ± --- ± ---	DRAWN BY	DATE	TITLE	
	$F_{\square}=0$	2 PLACES ± 0.20 ± ---	1 PLACE ± 0.25 ± ---	YXZHENG	2012/09/24	LGA1356-3 SOCKET(B3) FULL ASSEMBLY	
		0 PLACE ± --- ± ---	ANGULAR ± 1 °	CHECKED BY	DATE	molex	
	DRAFT WHERE APPLICABLE MUST REMAIN WITHIN DIMENSIONS		APPROVED BY	DATE	MATERIAL NO.	DOCUMENT NO.	SHEET NO.
			AYIN	2013/02/04	SEE TABLE	SD-47594-200	1 OF 3
			SIZE	THIS DRAWING CONTAINS INFORMATION THAT IS PROPRIETARY TO MOLEX INCORPORATED AND SHOULD NOT BE USED WITHOUT WRITTEN PERMISSION			
			A3				

10 9 8 7 6 5 4 3 2 1

F E D C B A

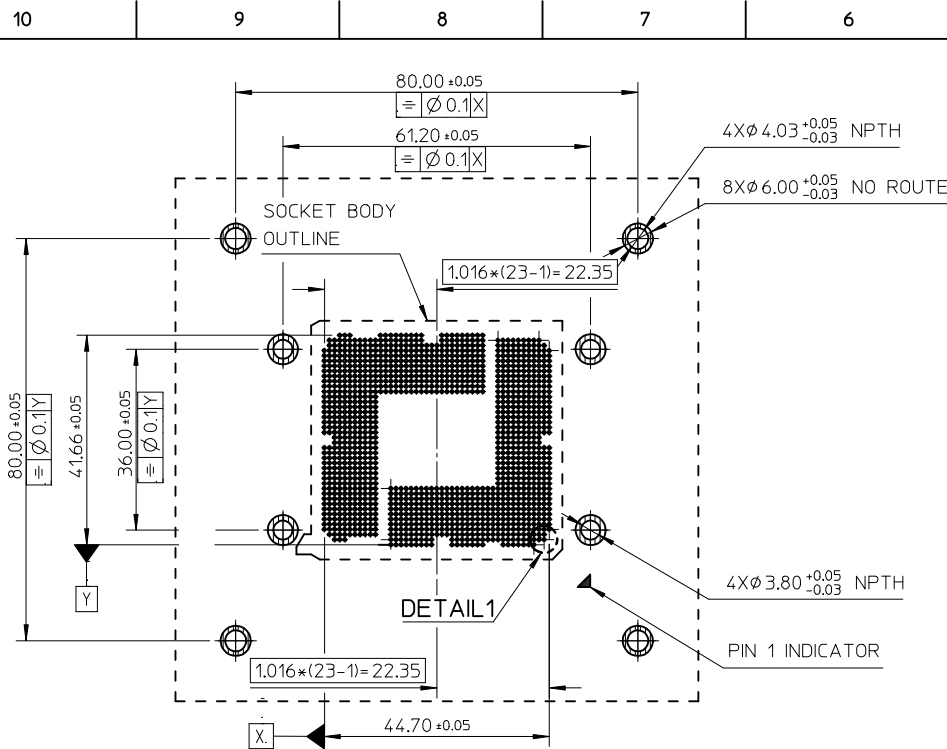


DETAIL 2

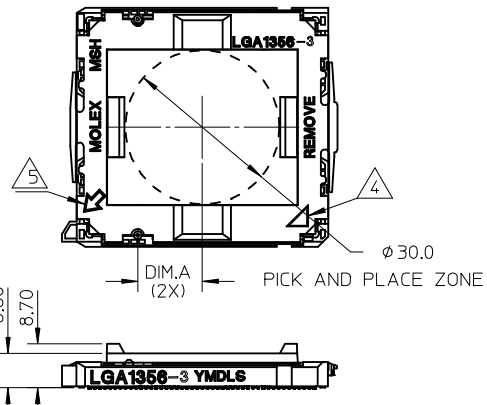


<b>NEW RELEASED</b> EC NO: SHZ013-0064 DRWN: YXZHENG 2012/09/24 CHKD: APPR: AYIN 2013/02/04	QUALITY SYMBOLS $F_A=0$ $F_B=0$ $F_C=0$	GENERAL TOLERANCES (UNLESS SPECIFIED) <table border="1"> <thead> <tr> <th></th> <th>mm</th> <th>INCH</th> </tr> </thead> <tbody> <tr> <td>4 PLACES</td> <td>± ---</td> <td>± ---</td> </tr> <tr> <td>3 PLACES</td> <td>± ---</td> <td>± ---</td> </tr> <tr> <td>2 PLACES</td> <td>± 0.20</td> <td>± ---</td> </tr> <tr> <td>1 PLACE</td> <td>± 0.25</td> <td>± ---</td> </tr> <tr> <td>0 PLACE</td> <td>± ---</td> <td>± ---</td> </tr> </tbody> </table>		mm	INCH	4 PLACES	± ---	± ---	3 PLACES	± ---	± ---	2 PLACES	± 0.20	± ---	1 PLACE	± 0.25	± ---	0 PLACE	± ---	± ---	DIMENSION STYLE <b>MM ONLY</b> DRAWN BY: YXZHENG DATE: 2012/09/24 CHECKED BY: DATE: APPROVED BY: AYIN DATE: 2013/02/04	SCALE <b>2:1</b> DESIGN UNITS <b>METRIC</b> THIRD ANGLE PROJECTION	TITLE <b>LGA1356-3 SOCKET(B3)          FULL ASSEMBLY</b>
		mm	INCH																				
	4 PLACES	± ---	± ---																				
	3 PLACES	± ---	± ---																				
2 PLACES	± 0.20	± ---																					
1 PLACE	± 0.25	± ---																					
0 PLACE	± ---	± ---																					
MATERIAL NO. <b>SEE PAGE 1</b>	DOCUMENT NO. <b>SD-47594-200</b>	SHEET NO. <b>2 OF 3</b>																					
DRAFT WHERE APPLICABLE MUST REMAIN WITHIN DIMENSIONS			THIS DRAWING CONTAINS INFORMATION THAT IS PROPRIETARY TO MOLEX INCORPORATED AND SHOULD NOT BE USED WITHOUT WRITTEN PERMISSION																				
ANGULAR ± 1 °			<b>molex</b>																				

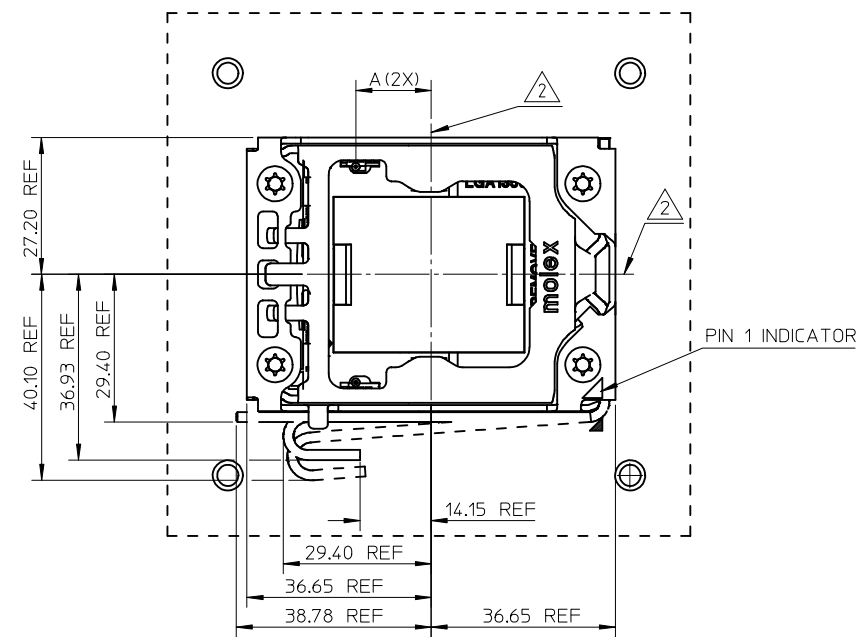
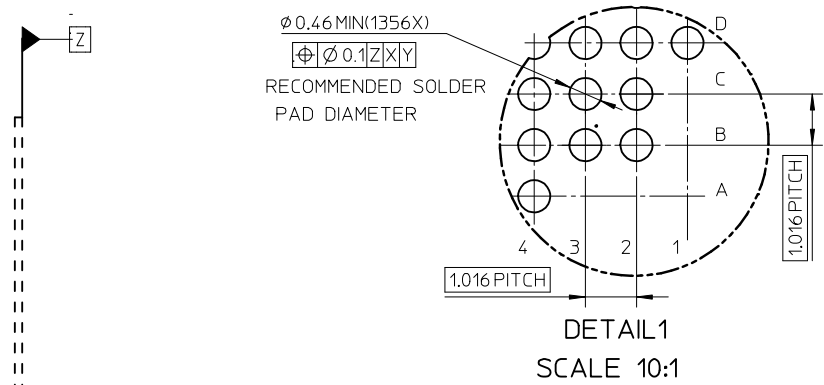
9 8 7 6 5 4 3 2 1



RECOMMEND PCB LAYOUT  
THICKNESS ARE 1.57+/-0.10 OR 2.54+/-0.10



- NOTES
- DATUM A IS THE PLANE WHICH SOCKET WILL BE SEATED.
  - GEOMETRIC CENTER OF CPU PACKAGE/SOCKET HOUSING CAVITY.
  - BOARD COMPONENT KEEP-INS AND MECHANICAL KEEP-OUTS TO BE UTILIZED WITH SUFFICIENT ALLOWANCES FOR PLACEMENT AND SIZE TOLERANCES ASSEMBLY PROCESS ACCESS, AND DYNAMIC EXCURSIONS.
  - SOCKET PIN 1 INDICATOR.
  - ARROW INDICATE THE ALIGN KEY FOR ILM ASSEMBLY.
  - ASSUME SYMMETRY FOR UNDIMENSIONED CORNERS AND EDGES.



SOCKET ON PCB(FOR REFERENCE ONLY)  
LOAD PLATE IS NOT LOCKED

<b>NEW RELEASED</b> IEC NO: SH2013-0064 DRWN: YXZHENG CHKD: APPR: AYIN 2012/09/24 2013/02/04	QUALITY SYMBOLS $F_{\Delta} = 0$ $F_{\square} = 0$ $F_{\square} = 0$	GENERAL TOLERANCES (UNLESS SPECIFIED)		DIMENSION STYLE <b>MM ONLY</b>	SCALE <b>1:1</b>	DESIGN UNITS <b>METRIC</b>	THIRD ANGLE PROJECTION		
		4 PLACES ± --- ± --- 3 PLACES ± --- ± --- 2 PLACES ± 0.20 ± --- 1 PLACE ± 0.25 ± --- 0 PLACE ± --- ± ---	mm INCH	DRAWN BY YXZHENG	DATE 2012/09/24	TITLE <b>LGA1356-3 SOCKET(B3) FULL ASSEMBLY</b>			
		DRAFT WHERE APPLICABLE MUST REMAIN WITHIN DIMENSIONS		APPROVED BY AYIN	DATE 2013/02/04	<b>molex</b>			
		ANGULAR ± 1 °		MATERIAL NO. <b>SEE PAGE 1</b>		DOCUMENT NO. <b>SD-47594-200</b>	SHEET NO. <b>3 OF 3</b>		