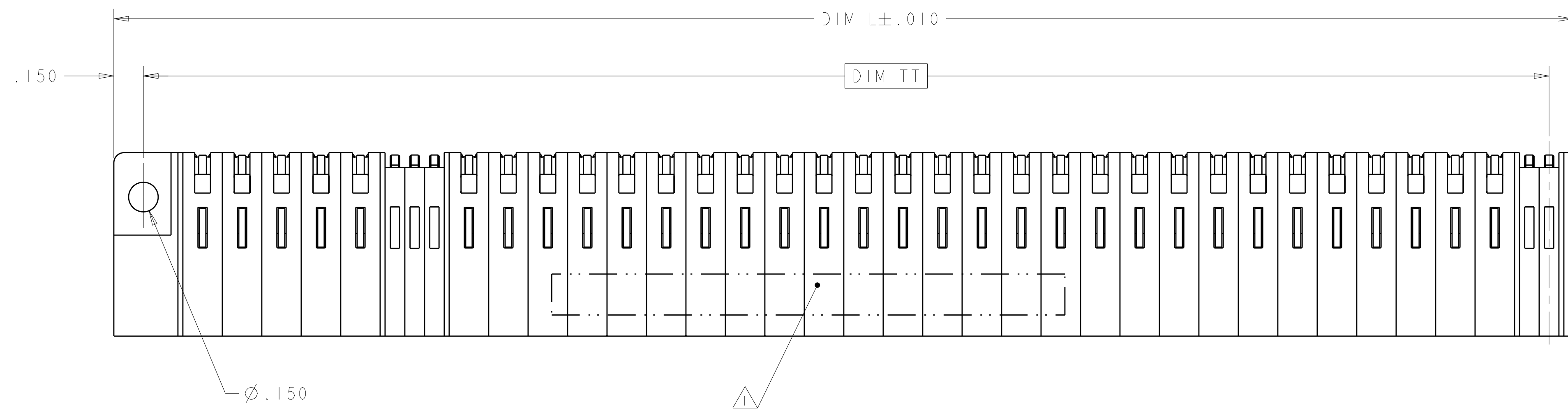
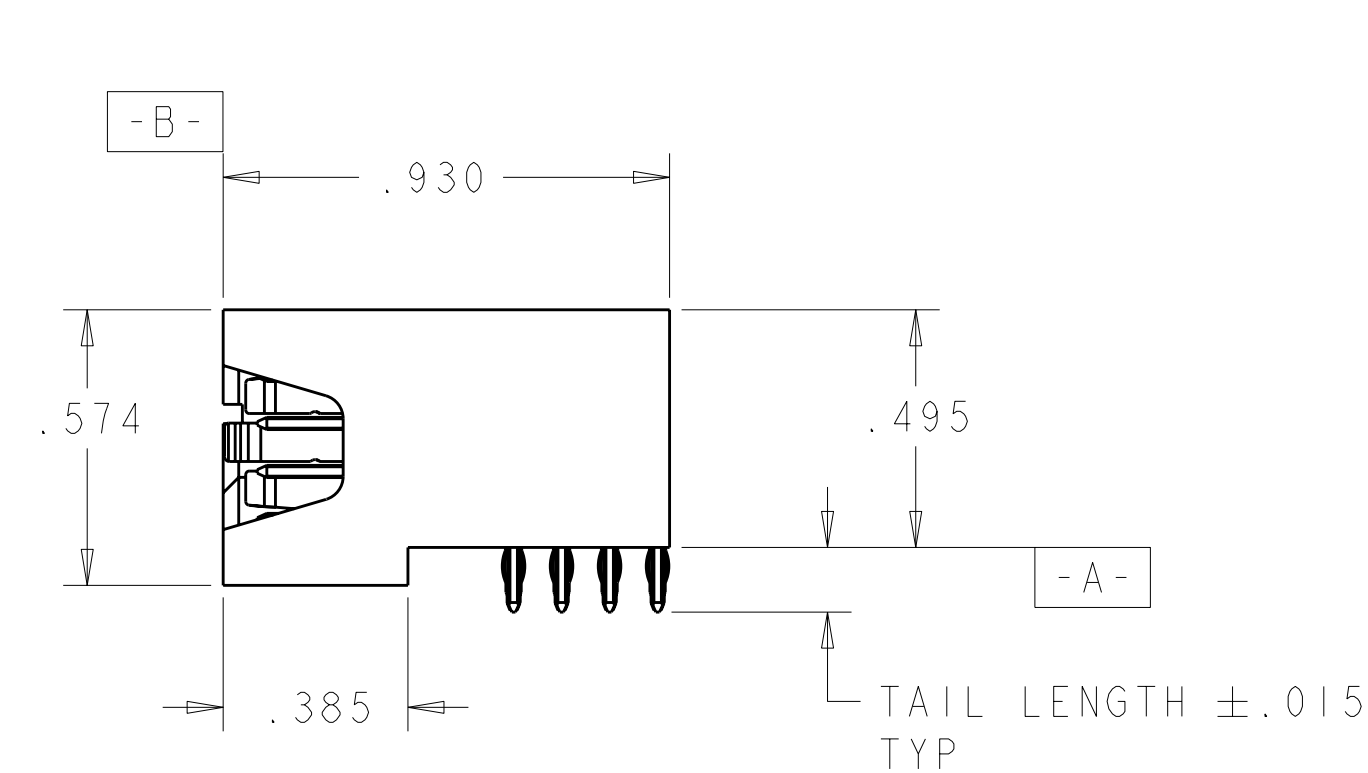
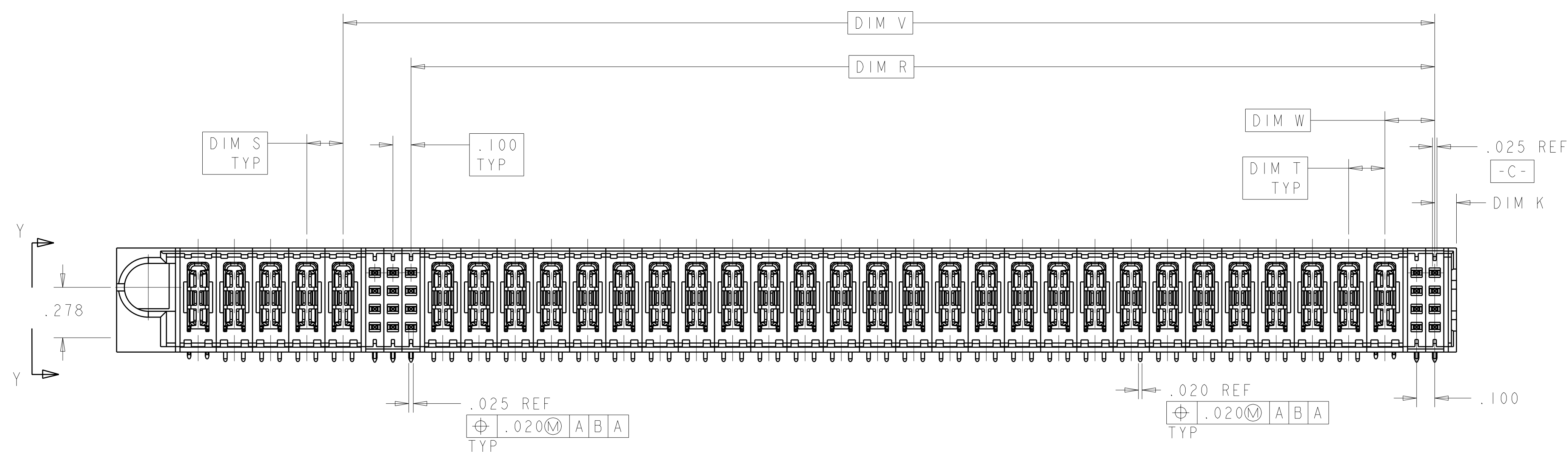


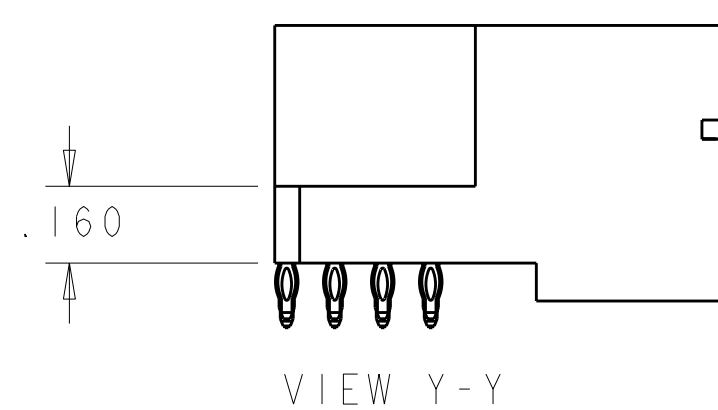
THIS DRAWING IS A CONTROLLED DOCUMENT
DRAWING NO. 1892224



- 1 MATERIAL - HOUSING: 704968-3, POLYTHALAMIDE
SIGNAL CONTACT: PHOS. BRONZE
POWER CONTACT: Cu ALLOY
CONTACT PLATING- Ni UNDERPLATED ALL OVER.
.000030 GOLD AT MATING SURFACE.
AND Sn ON SOLDER TAILS
- 2 MAXIMUM OVERALL LENGTH OF A PART IS 8.00 INCH.
- 3 DIM LL FOR STANDARD SIGNAL CONTACT: .254;
DIM LL FOR MLBF SIGNAL CONTACT: .204.
- 4 "AMP", PART NUMBER AND DATE CODE PER AMP SPEC.115-1143.
ANNOTATION HEIGHT TO BE BETWEEN .050 AND .093
PLACE ANNOTATION IN AREA SHOWN, MARKING ON BOTH
SIDES PERMITTED FOR PARTS UNDER 2.00 LONG.



PART NUMBER: 1892224-1

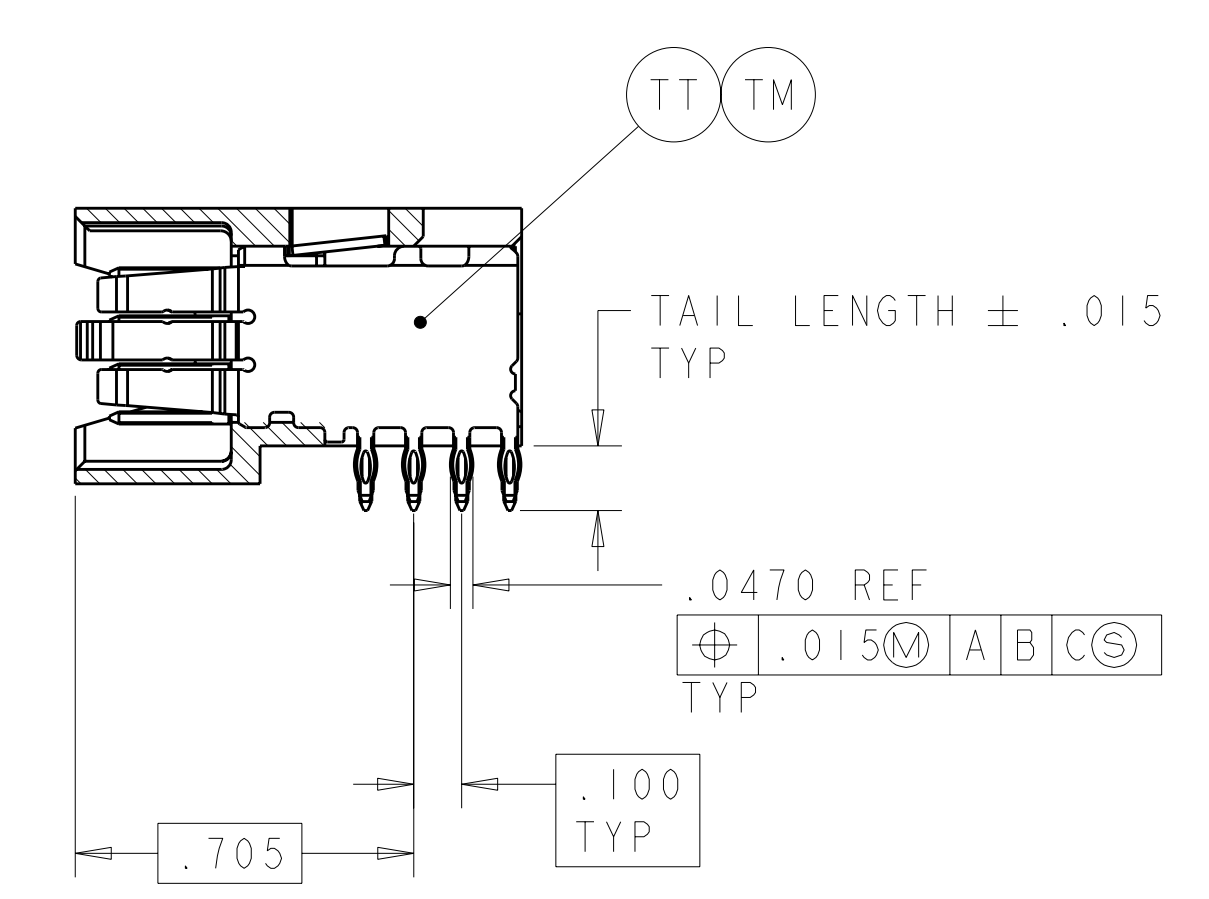
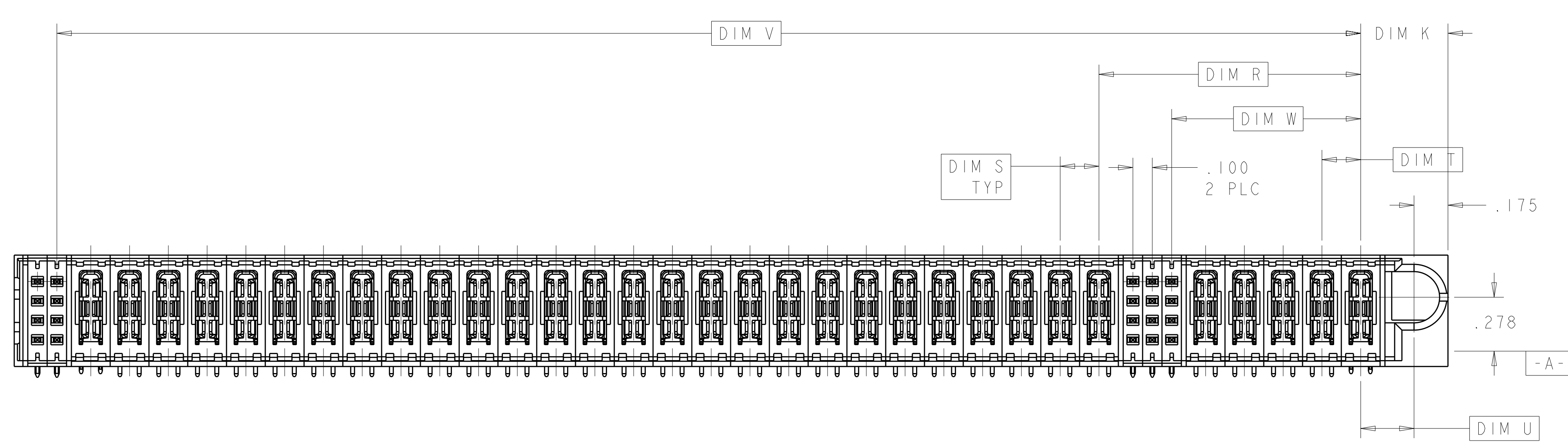
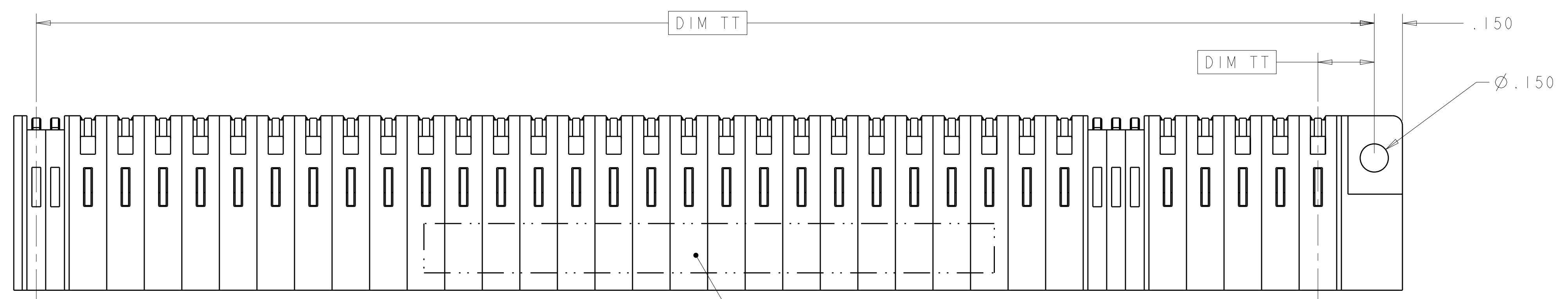


.300	.275	.200	.200	6.725	1.350	.975	.450	7.395	8S + 27P + 12S + 5P	1892224-2
7.125	7.100	.200	.200	6.025	5.650	.275	.120	7.395	5P + 12S + 27P + 8S	1892224-1
DIM TT	DIM U	DIM S	DIM T	DIM V	DIM R	DIM W	DIM K	DIM L	DESCRIPTION	PART NUMBER

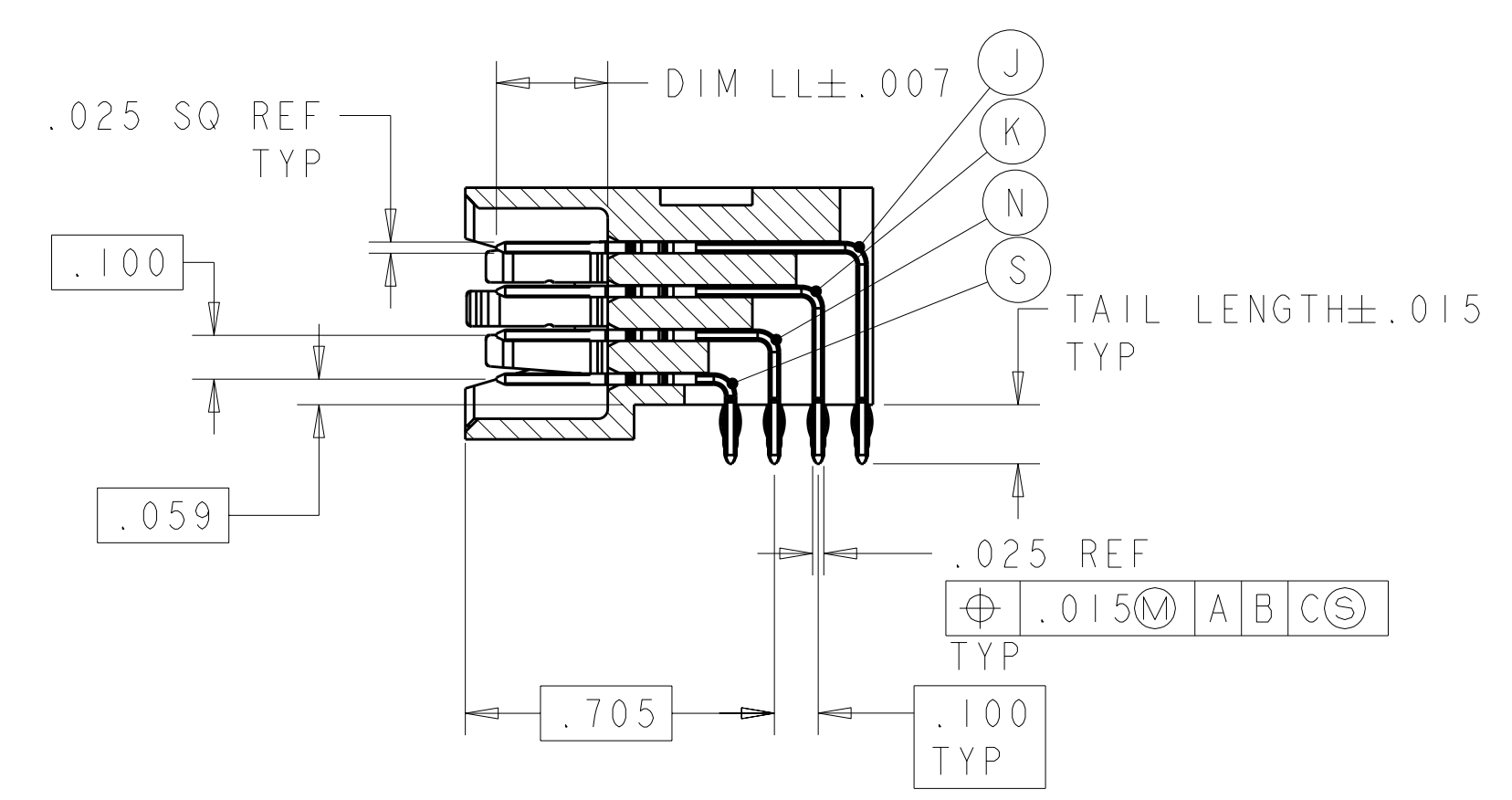
LOC ES DIST 00	AMP 3300-8 REV 31MAR2000	Pro/ENGINEER DRAWING	8	7	6	5	4	3	2	1					
DIMENSIONS: INCHES TOLERANCES UNLESS OTHERWISE SPECIFIED: 0 PLC ± 1 PLC ± 2 PLC ±.01 3 PLC ±.005 4 PLC ±.0020		ANGLE: 2° SURFACE TEXTURE:		DIM: 29AUG2006 CHK: S.ZHAO APVD: S.YAO		MATERIAL: - HEAT TREAT: 1 2		Tyco Electronics Tyco Electronics Incorporated Shanghai, P.R.China.200233		NAME: RIGHT ANGLE SOLDER HEADER ASSEMBLY WITH HOT PLUG PWR CONTACT SCALE: 3:1 SIZE: A1 DRAWING NO: 1892224 SHEET: 1 of 3 REV: A1					
REVISION RECORD AI REV PER ECR-11-000430 12JAN2011 IL SZ A REV PER ECR-06-021122 30AUG2006 SZ SX		DATE: 29AUG2006 DWN: S.ZHAO		DIMENSIONS: INCHES TOLERANCES UNLESS OTHERWISE SPECIFIED: 0 PLC ± 1 PLC ± 2 PLC ±.01 3 PLC ±.005 4 PLC ±.0020		ANGLE: 2° SURFACE TEXTURE:		DIM: 29AUG2006 CHK: S.ZHAO APVD: S.YAO		MATERIAL: - HEAT TREAT: 1 2		Tyco Electronics Tyco Electronics Incorporated Shanghai, P.R.China.200233		NAME: RIGHT ANGLE SOLDER HEADER ASSEMBLY WITH HOT PLUG PWR CONTACT SCALE: 3:1 SIZE: A1 DRAWING NO: 1892224 SHEET: 1 of 3 REV: A1	

THIS INFORMATION IS CONFIDENTIAL AND PROPRIETARY TO TYCO ELECTRONICS CORPORATION. IT IS THE PROPERTY OF TYCO ELECTRONICS CORPORATION AND IS NOT TO BE REPRODUCED, COPIED, OR TRANSMITTED IN ANY FORM OR BY ANY MEANS, WITHOUT WRITTEN AUTHORIZATION FROM TYCO ELECTRONICS CORPORATION, HARRISBURG, PENNSYLVANIA, USA.

THIS DRAWING IS A CONTROLLED DOCUMENT
DRAWING NO. 1892224



SECTION Y-Y



SECTION Z-Z

PART NUMBER 1892224-2

QTY	UNIT	DESCRIPTION	IDENTIFIER
1	1	SEE CHART RIGHT ANGLE HEADER	HOUSING
5	5	7-1450911-5 SIGNAL CONTACT, STD, .135 TAIL LENGTH, ROW A	J
5	5	7-1450911-3 SIGNAL CONTACT, STD, .135 TAIL LENGTH, ROW A	K
5	5	7-1450911-1 SIGNAL CONTACT, STD, .135 TAIL LENGTH, ROW A	N
5	5	6-1450911-9 SIGNAL CONTACT, STD, .135 TAIL LENGTH, ROW A	S
2	2	1892083-3 MBXL POWER CONTACT, .135 PRESS FIT TAIL LENGTH	TT
30	30	1892082-3 MBXL POWER CONTACT, .135 SOLDER TAIL LENGTH	TM
-2	-1	PART NUMBER	

DIMENSIONS: INCHES		TOLERANCES UNLESS OTHERWISE SPECIFIED:	
0 PLC	± .01	1 PLC	± .01
1 PLC	± .01	2 PLC	± .005
2 PLC	± .005	3 PLC	± .002
3 PLC	± .002	4 PLC	± .002
4 PLC	± .002		
ANGLES: 2°		SURFACE TEXTURE: 3√	
SCALE: 3:1		SIZE: A1	
DRAWING NO: 1892224		SHEET 2 OF 3	

THIS INFORMATION IS CONFIDENTIAL AND PROPRIETARY TO TYCO ELECTRONICS CORPORATION. IT IS NOT TO BE DISCLOSED OR REPRODUCED IN ANY MANNER WITHOUT WRITTEN AUTHORIZATION FROM TYCO ELECTRONICS CORPORATION, HARRISBURG, PENNSYLVANIA, USA.

LOC
ES
DIST
00

