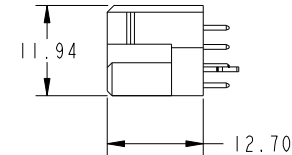
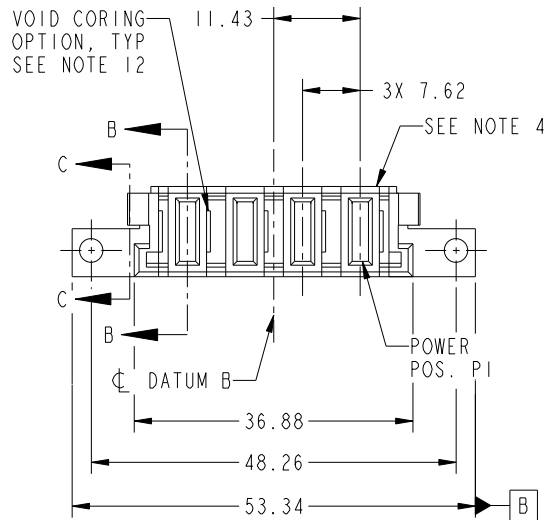
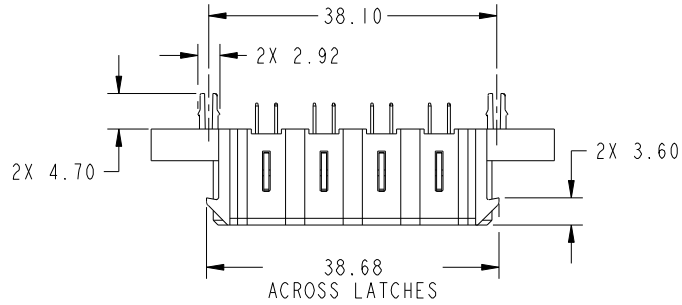
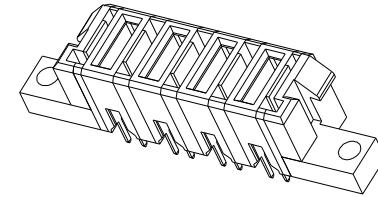
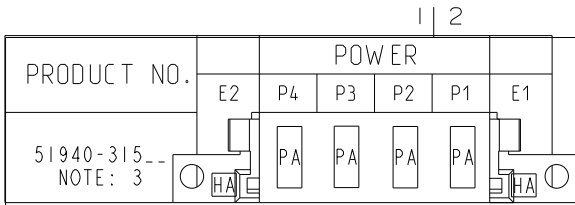


Tous droits strictement réservés. Reproduction ou communication a des tiers interdite sous quelque forme que ce soit sans autorisation écrite du propriétaire. Propriété de c.FCI. Droits de reproduction FCI.

All rights strictly reserved. Reproduction or issue to third parties in any form whatever is not permitted without written authority from the proprietor. Property of FCI. Copyright FCI.



CODE	DIM "M" MATING LENGTH	CONTACT TYPE
PA	[1.07]	POWER
HA	[N/A]	HOLD-DOWN

mat'l code				SEE NOTES		tolerances unless otherwise specified		CUSTOMER		 www.fciconnect.com	
ltr	ecn no.	dr	date	linear	0.X ±0.5		COPY		title		
A	DG09-0349	JC	12/26/09		0.XX ±0.25		projection		4ACP		
					0.XXX ±0.1				VERTICAL SOLDER RECEPT		
				angles	0° ±2°				product family		
				dr	JEROME CHEN	09/17/09	MM		PwrBlade		code
				enrg	JEROME CHEN	09/17/09	1:1		size	dwg no	213
				chr	PM Zheng	09/17/09			A	51940-315	sheet
				appd	JOSEPH HSIA	09/17/09			1 of 4		
sheet index	revision sheet	A	A	A	A	A					

A

A

B

B

1 | 2

Pro/E

PDM: Rev: A

STAT: Released

Printed: Dec 20, 2010

cage code 28556

4

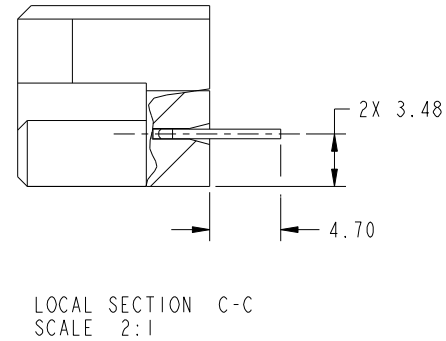
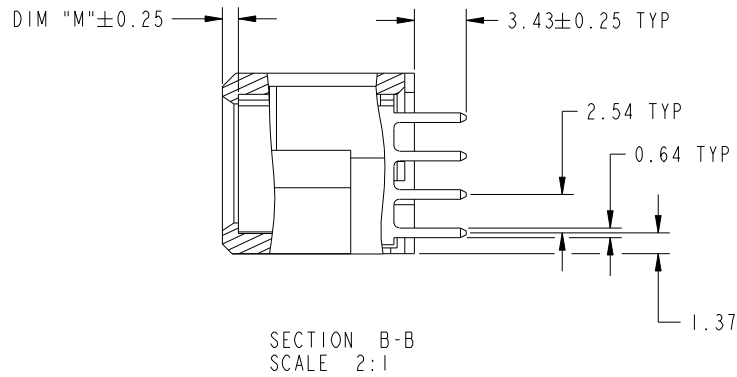
Tous droits strictement réservés. Reproduction ou communication a des tiers interdite sous quelque forme que ce soit sans autorisation écrite du propriétaire. Propriété de c.FCI. Droits de reproduction FCI.

All rights strictly reserved. Reproduction or issue to third parties in any form whatever is not permitted without written authority from the proprietor. Property of FCI. Copyright FCI.



PRODUCT NUMBER

51940-315__
NOTE: 3



mat'l code				tolerances unless otherwise specified		CUSTOMER		 www.fciconnect.com			
lfr	ecn no.	dr	date	linear	0.X ± 0.5	projection		title			
A					0.XX ± 0.25			4ACP		code	
					0.XXX ± 0.1			VERTICAL SOLDER RECEPT		213	
				angles	0° ± 2°	 MM scale 1:1	product family		code		
				dr	JEROME CHEN 09/17/09		PwrBlade		213		
				enr	JEROME CHEN 09/17/09		size	dwg no	sheet		
				chr	PM Zheng 09/17/09		A	51940-315	2 of 4		
				appd	JOSEPH HSIA 09/17/09						
sheet index	revision sheet										

A

A

B

B

1 | 2

3

4

1 | 2

Pro/E

PDM: Rev: A

STATUS: Released

Printed: Dec 20, 2010

cage code 28556

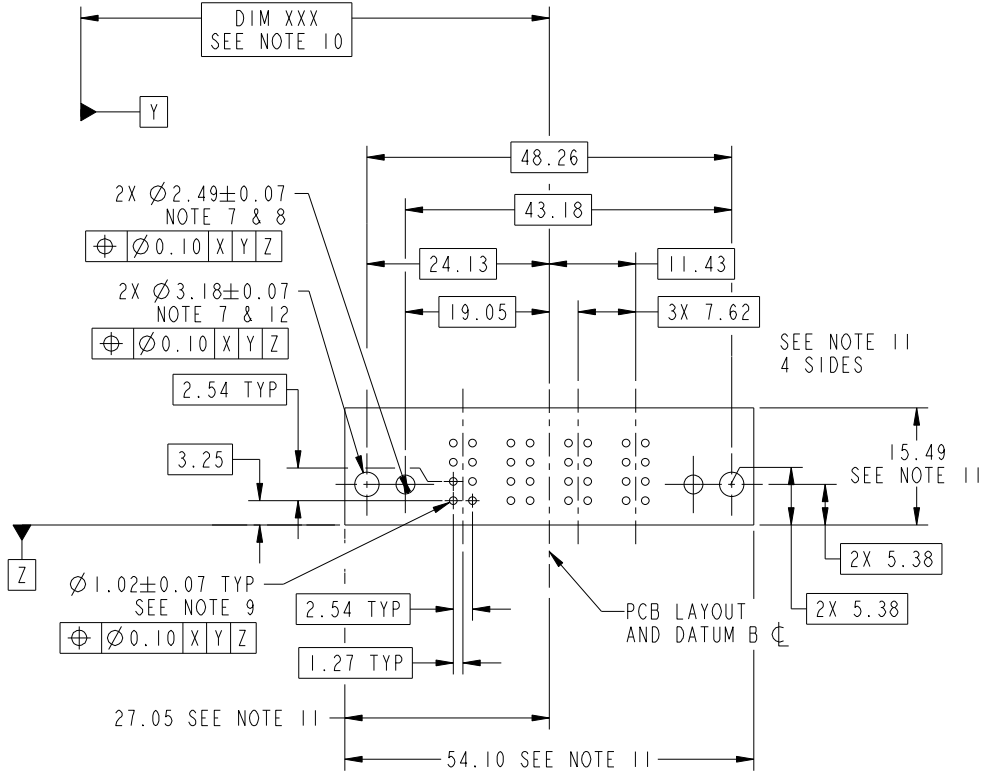
Tous droits strictement réservés. Reproduction ou communication a des tiers interdite sous quelque forme que ce soit sans autorisation écrite du propriétaire. Propriété de c.FCI. Droits de reproduction FCI.

All rights strictly reserved. Reproduction or issue to third parties in any form whatever is not permitted without written authority from the proprietor. Property of FCI. Copyright FCI.



PRODUCT NUMBER

51940-315__
NOTE: 3



RECOMMENDED PCB LAYOUT

mat'l code				tolerances unless otherwise specified		CUSTOMER		 www.fciconnect.com	
lir	ecn no.	dr	date	linear	0.X ± 0.5	COPY		title	
A					0.XX ± 0.25	projection		4ACP	
				angles	0.XXX ± 0.1			VERTICAL SOLDER RECEPT	
				dr	0° ± 2°	MM		product family	
				enrg	JEROME CHEN 09/17/09	scale		PwrBlade	
				chr	JEROME CHEN 09/17/09	1:1		code	
				appd	PM Zheng 09/17/09			213	
					JOSEPH HSIA 09/17/09			sheet	
sheet index	revision sheet							3 of 4	
								A 51940-315	

cage code 2856

Pro/E

PDM: Rev: A

STATUS: Released

Printed: Dec 20, 2010

Tous droits strictement reserves. Reproduction ou communication a des tiers interdite sous quelque forme que ce soit sans autorisation écrite du propriétaire. Propriete de c.FCI. Droits de reproduction FCI.

All rights strictly reserved. Reproduction or issue to third parties in any form whatever is not permitted without written authority from the proprietor. Property of FCI. Copyright FCI.



1 | 2

3

4

PRODUCT NUMBER

51940-315__
NOTE: 3

NOTES:

1. DIMENSIONS AND TOLERANCES ARE IN ACCORDANCE WITH ASME Y14.5M, 1994 UNLESS OTHERWISE SPECIFIED.

CONNECTOR NOTES:

- ② HOUSING MATERIAL: UL 94 V-0 GLASS FILLED HIGH-TEMP THERMOPLASTIC
POWER CONTACT MATERIAL: COPPER ALLOY
SIGNAL PIN MATERIAL: COPPER ALLOY
- 3. PLATING SPEC.
SEE ITEM 5 & 6 IN PRINT 10064183 FOR PLATING SPEC OF 51940-315 AND 51940-315LF RESPECTIVELY
- ④ MANUFACTURER'S NAME, DATE CODE AND OPTIONAL P/N TO APPEAR ON THIS SURFACE. THE P/N CAN BE OMITTED IF THERE IS NOT ENOUGH SPACE ON THIS SURFACE.
- 5. PRODUCT SPECIFICATION GS-12-149.
APPLICATION SPECIFICATION BUS-20-067.
- 6. PACKAGED IN TRAYS.

PCB NOTES:

- 7. ALL HOLE DIAMETERS ARE FINISHED HOLE SIZE.
- ⑧ MOUNTING HOLES, WHERE APPLICABLE, ARE UNPLATED.
- ⑨ $\varnothing 1.151 \pm 0.025$ DRILLED HOLES PLATED WITH
0.008 MIN SnPb OR Sn OVER 0.03
TO 0.08 Cu PLATING TO ACHIEVE
 $\varnothing 1.02 \pm 0.07$ HOLE.
- ⑩ "DIM XXX" TO BE DETERMINED BY THE CUSTOMER.
- ⑪ CONNECTOR KEEP-OUT ZONE.
- 12. THE VOID CORING IN BETWEEN POWER MODULES, SIGNAL MODULES AND END MODULES ARE OPTIONAL AND THE SHAPE MAY BE DIFFERENT FOR OPTIMIZE THE MOLDING PROCESS. THE VOID CORING WILL NOT EFFECT TO PRODUCT FUNCTION.

mat'l code				tolerances unless otherwise specified		CUSTOMER		 www.fciconnect.com		
ltr	ecn no.	dr	date	linear	0.X ±0.5		COPY		title	
A					0.XX ±0.25		projection			4ACP VERTICAL SOLDER RECEPT
					0.XXX ±0.1					
				angles	0° ±2°				product family PwrBlade code 213 sheet 4 of 4	
				dr	JEROME CHEN	09/17/09				
				enrg	JEROME CHEN	09/17/09				
				chr	PM Zheng	09/17/09				
				appd	JOSEPH HSIA	09/17/09				
sheet index	revision sheet						scale	1:1	product size A	
									dwg no 51940-315	

A

A

B

B

1 | 2

Pro/E

PDM: Rev: A

STATUS: Released

Printed: Dec 20, 2010