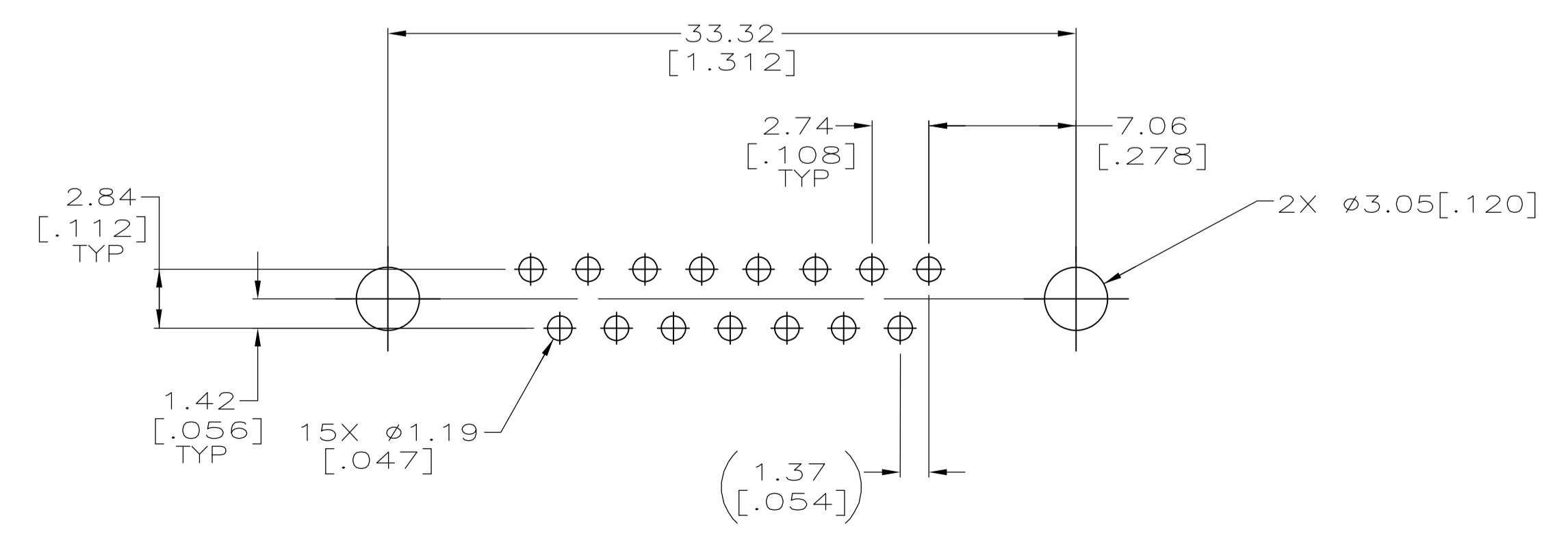
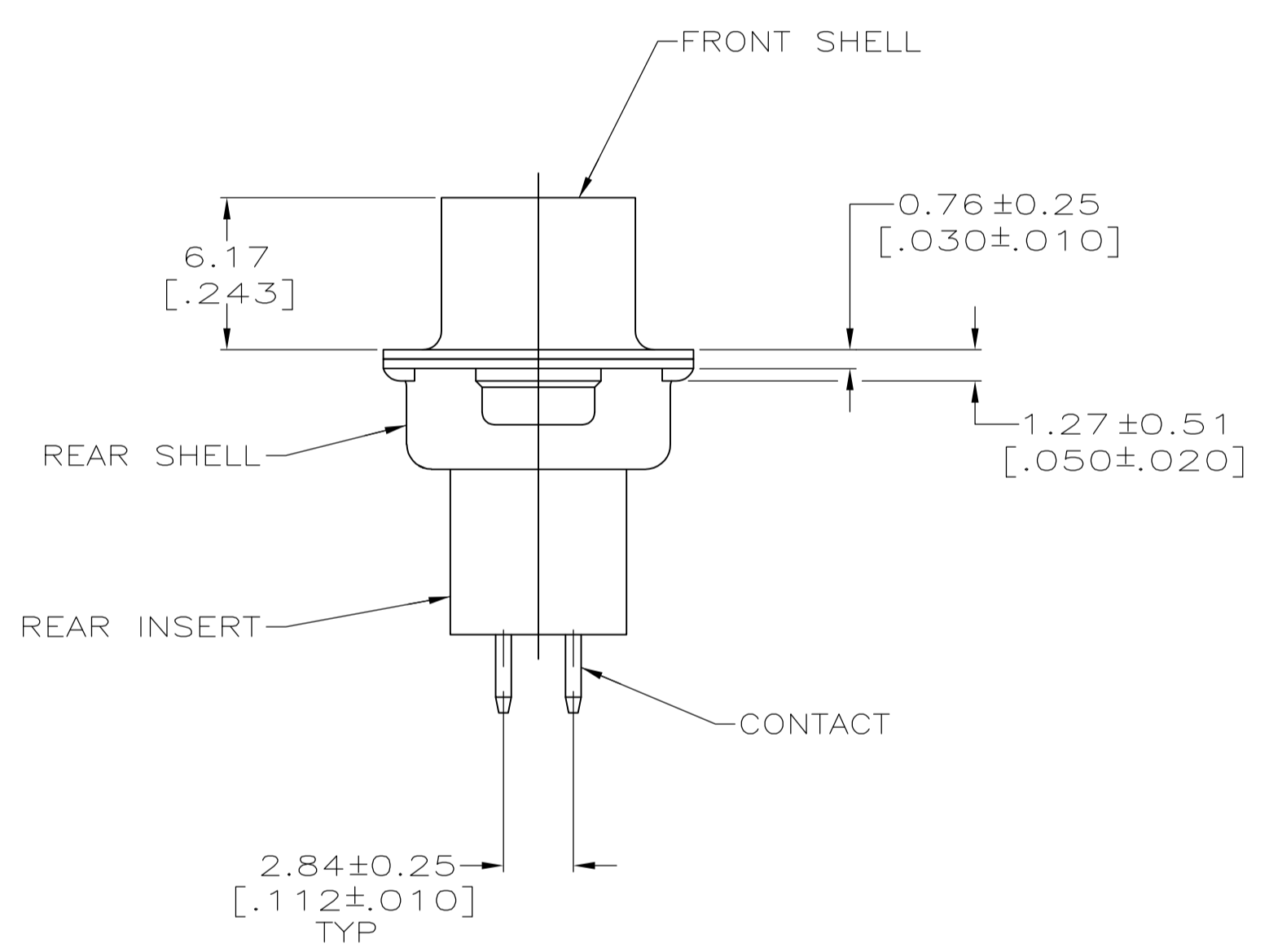
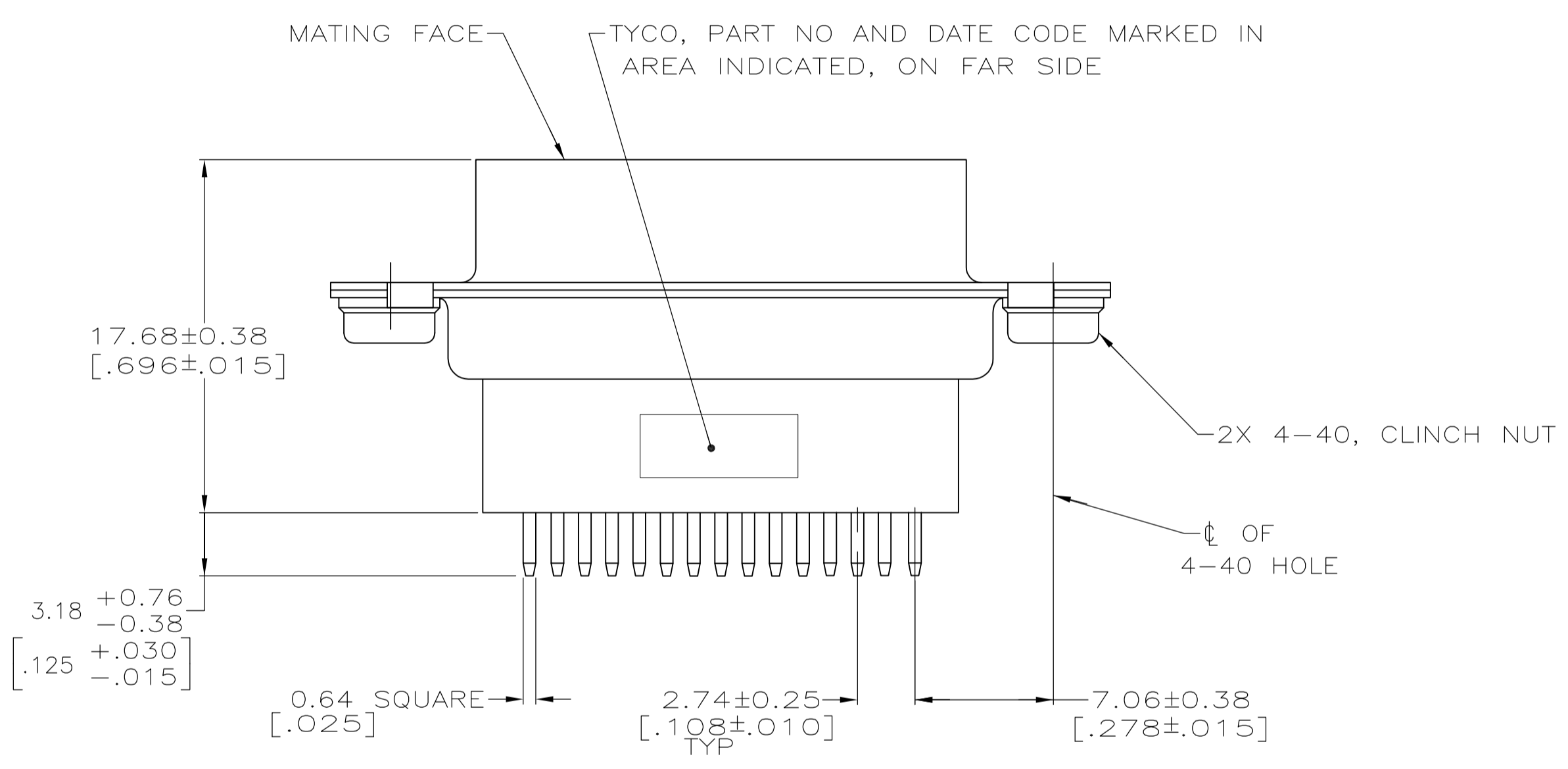
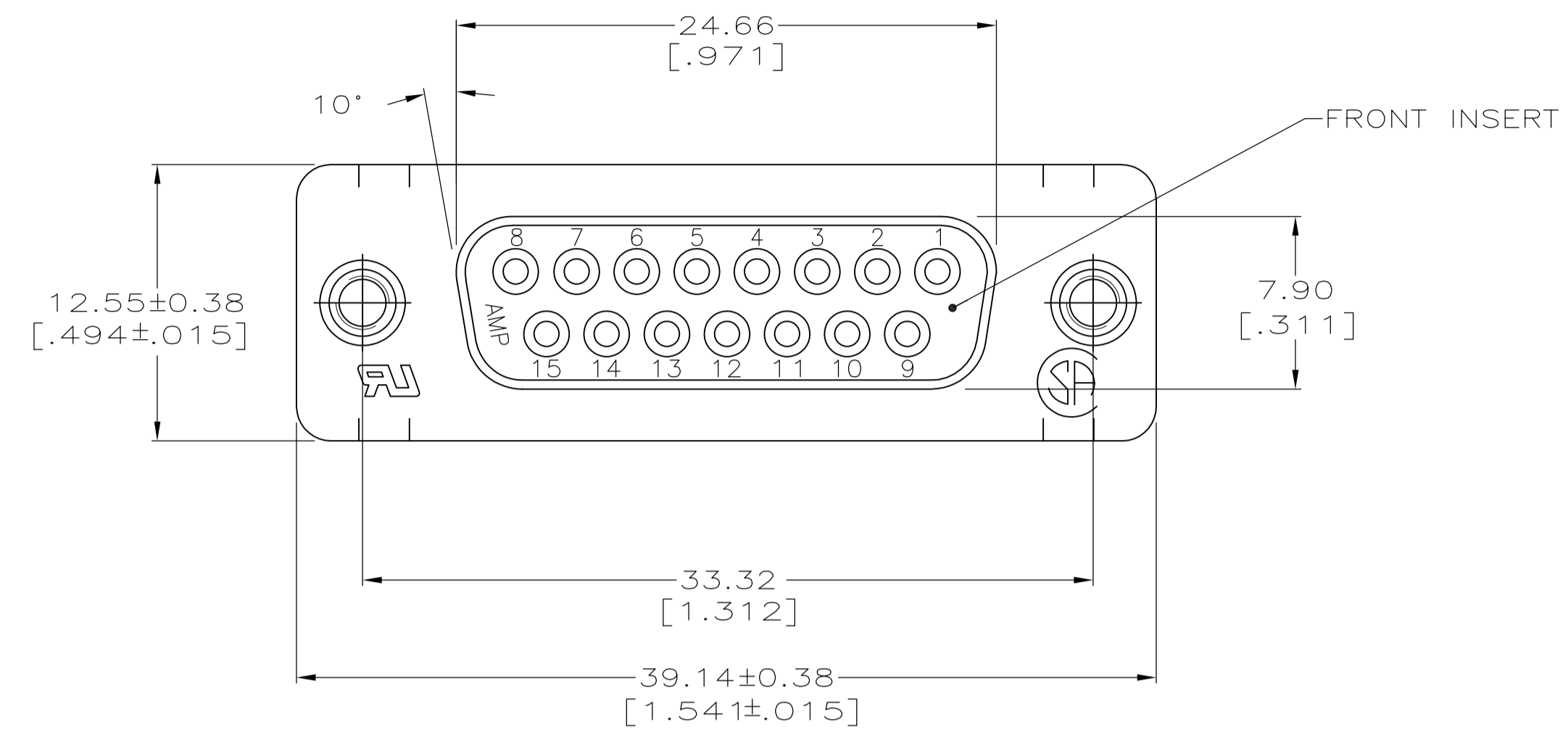


- 1 MOLDDED PARTS: GLASS-FILLED PBT OR GLASS-FILLED NYLON, UL94V-0 RATED. COLOR: BLACK.
CONTACTS: PHOSPHOR BRONZE.
SHELLS: CARBON STEEL.
CLINCH NUTS: CARBON STEEL.
- 2 SHELLS: 5.08 μ m [0.000200] MIN TIN OVER 2.54 μ m [0.000100] MIN COPPER.
CLINCH NUTS: .000200 MIN ZINC WITH CLEAR CHROMATE COATING.
CONTACTS: SEE TABLE.
- 3 GOLD FLASH FOR LENGTH OF 2.54 [0.100] MIN FROM MATING END, 2.54 μ m [0.000100] MIN TIN ON OPPOSITE END, BOTH OVER 1.27 μ m [0.000050] MIN NICKEL.
- 4 0.76 μ m [0.000030] MIN GOLD FOR A LENGTH OF 2.54 [0.100] MIN FROM MATING END, 2.54 μ m [0.000100] MIN TIN ON OPPOSITE END, BOTH OVER 1.27 μ m [0.000050] MIN NICKEL.
-OR-
GOLD FLASH OVER PALLADIUM-NICKEL 0.76 μ m [0.000030] MIN TOTAL FOR A LENGTH OF 2.54 [0.100] MIN FROM MATING END, 2.54 μ m [0.000100] MIN TIN ON OPPOSITE END, BOTH OVER 1.27 μ m [0.000050] MIN NICKEL.



RECOMMENDED PC BOARD MOUNTING DIMENSIONS

3	5745820-2
4	5745820-1
CONTACT FINISH	PART NO

THIS DRAWING IS A CONTROLLED DOCUMENT.		DIN B. LATTUCA 19SEPT05	STE TE Connectivity	
DIMENSIONS: mm [INCHES]		CHK S. BOLASH 19SEPT05	NAME RECEPTACLE ASSEMBLY, SIZE 2, 15 POSN, VERTICAL, FRONT METAL SHELL, AMPLIMITE HD-20	
TOLERANCES UNLESS OTHERWISE SPECIFIED:		APP'D M. WALMSLEY 19SEPT05	PRODUCT SPEC 108-40025	
0 PLC ± -		APPLICATION SPEC 114-40013		
1 PLC ± -		SIZE A1		
2 PLC ± 0.13 [0.005]		CAGE CODE DRAWING NO 00779 C=5745820		
3 PLC ± -		RESTRICTED TO		
4 PLC ± -		WEIGHT -		
ANGLES ± -		CUSTOMER DRAWING		
1	2	SCALE NTS	SHEET 1 OF 1	REV D