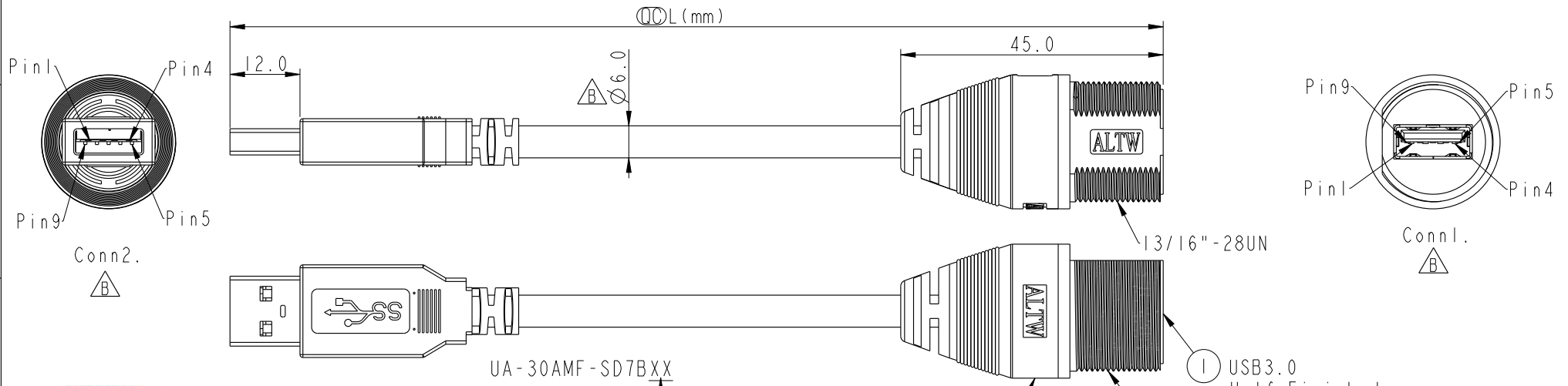
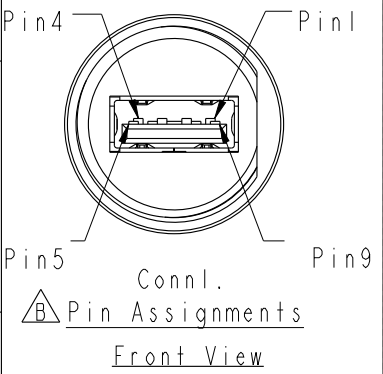
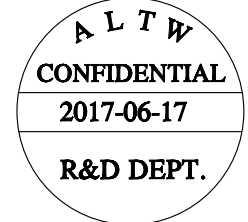


REV.	ECN NO.	DATE	SIGN	DESCRIPTION
A	Release	2013-04-09	Kevin Wang	
B	LE31761072-074	2017-07-07	Ouyang	Delete Inner Mold & Update cable



UA-30AMF-SD7BXX
 XX : 01~03Meters
 01 : 01Meter
 03 : 03Meters
 Cable Length(L): 01~03Meters

Inner Mold ③
 Outer Mold ④
 Color: Black



Shield	Braid	編織	Shield	Shield	
9	Orange 28AWG	橙	SDP2+	9	Twist
8	Purple 28AWG	紫	SDP2-	8	
7	Drain 28AWG		SDP2_Drain	7	Twist
6	Yellow 28AWG	黃	SDP1+	6	
5	Blue 28AWG	藍	SDP1-	5	Twist
7	Drain 28AWG		SDP1_Drain	7	
4	Black 28AWG	黑	GND_PWRrt	4	Twist
3	Green 28AWG	綠	UTP_D+	3	
2	White 28AWG	白	UTP_D-	2	Twist
1	Red 28AWG	紅	PWR	1	
Conn2.	Wire Color		Signal Name	Conn1.	

Note:
 * \varnothing Important Dimension.
 * Conn.1 Waterproof Rate: IP67
 * Jack: USB3.0-A Female Solder
 * Housing: ABS, 94-V0, Black
 * Cable: UL2725(IPx28#+DAM)*2+1P*28#+2C*28#+ABD, PVC Jacket, UV Resistant, OD=6.0mm, Black
 * Cable Length Tolerance: 01M:±40mm
 02M~03M:±60mm
 * All of Drain twisted together.

UNIT:mm

TOLERANCE
 .X ±0.25
 .XX ±0.1
 .XXX ±0.05
 ANGLES ±1°

TITLE: USB3.0 Female Screw to A plug

SCALE: 1:2 SIZE: A4 SHEET: 1 OF 1

REV. B WC-REV. A.5 \varnothing : Inspection item

Amphenol LTW
 安費諾亮泰企業股份有限公司

ITEM NO.	DRAWN BY	DATE
	Ouyang	2017-07-07
DWG NO.	CHECKED BY	DATE
UA-30AMF-SD7BXX	Feng-li	2017-07-07
CUSTOMER	APPROVED BY	DATE
ALTW	Jerry	2017-07-07

THIS DOCUMENT IS SUBJECT TO CHANGE WITHOUT NOTICE. IT IS CONFIDENTIAL AND A PROPERTY OF Amphenol LTW. DISCLOSURE TO THIRD PARTY HAS TO BE AUTHORIZED BY Amphenol LTW.