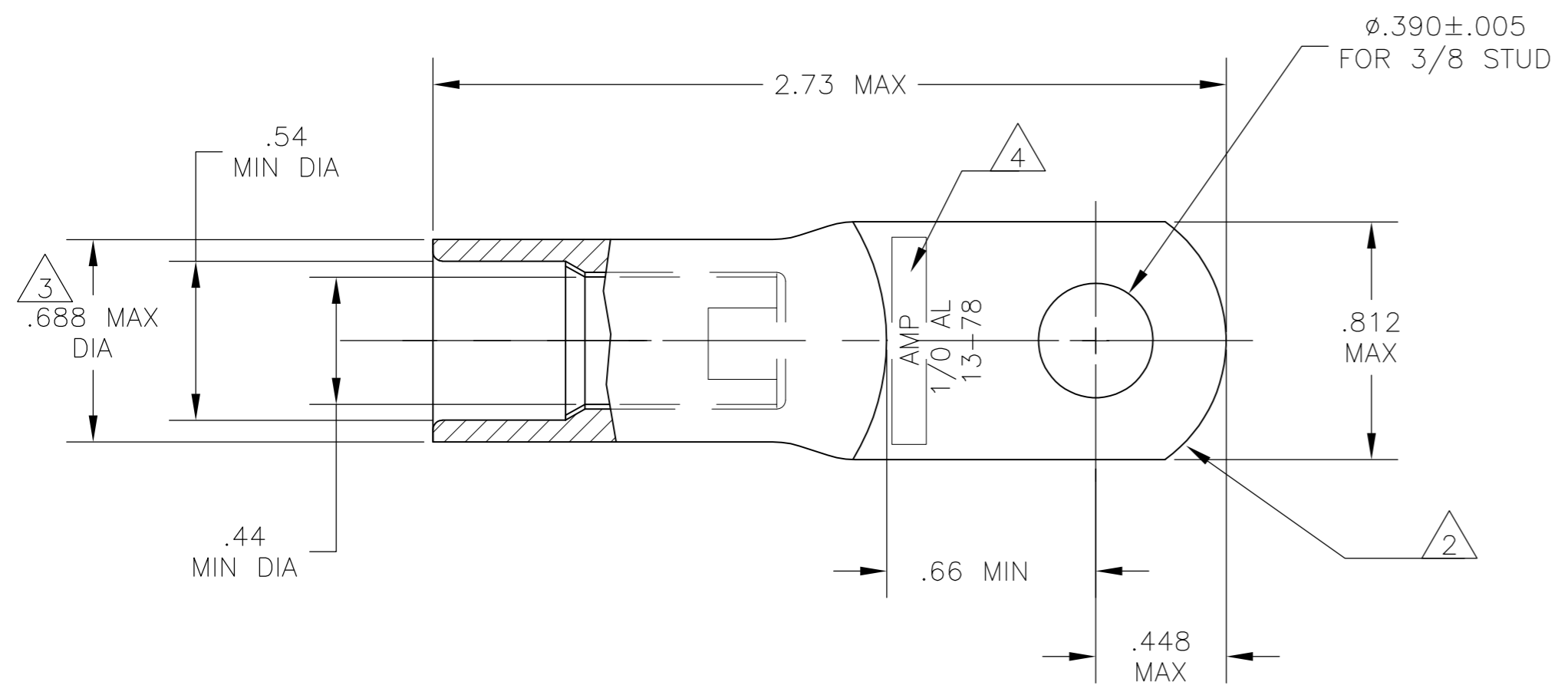
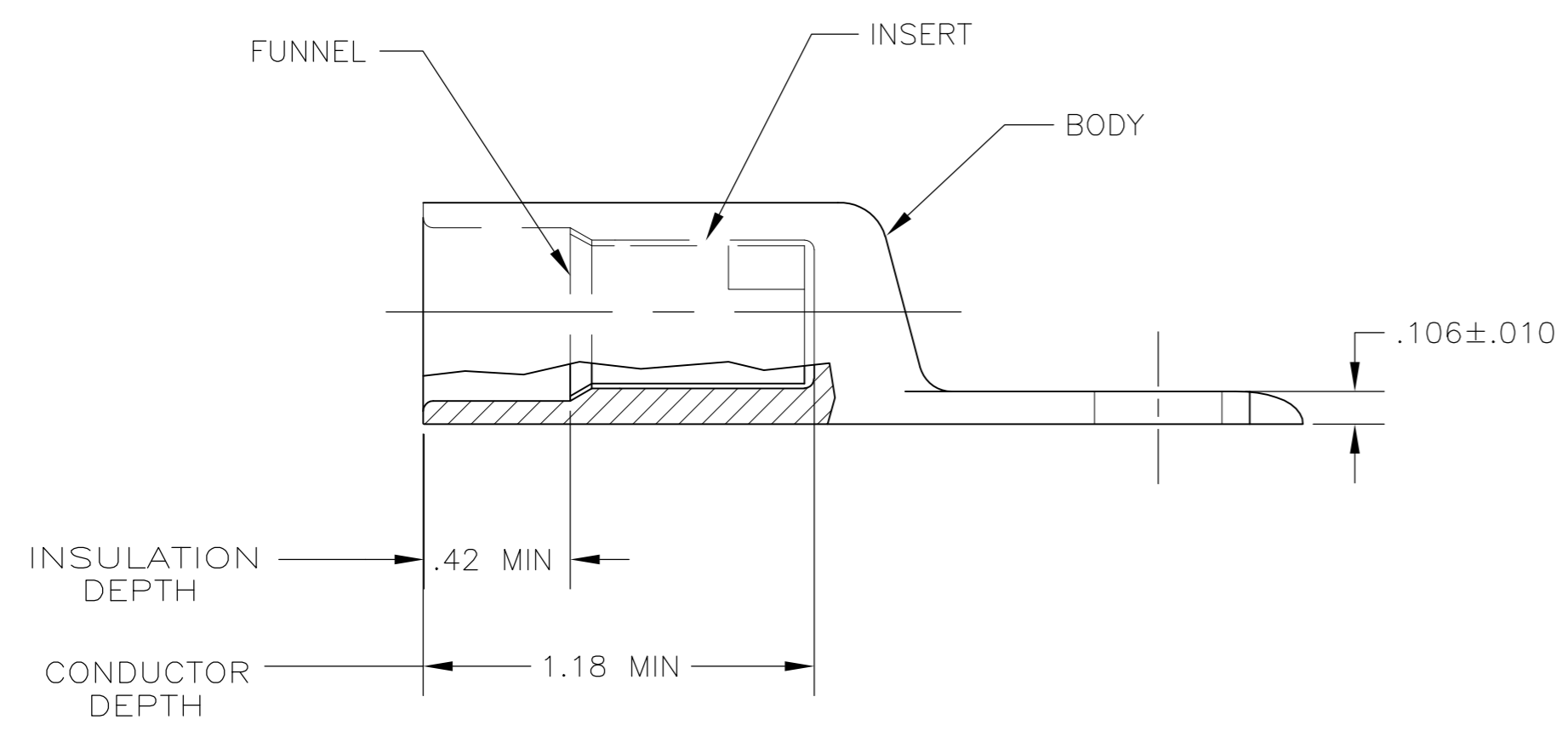


THIS DRAWING IS UNPUBLISHED. RELEASED FOR PUBLICATION
 © COPYRIGHT BY TYCO ELECTRONICS CORPORATION. ALL RIGHTS RESERVED.

LOC	DIST	REVISIONS			
P	LTR	DESCRIPTION	DATE	DWN	APVD
G	86	E	REVISED PER ECO-11-000103	11JAN11	PY BW



- 1 WIRE INSULATION: .465-.513 DIA
- 2 THE TONGUE RADIUS FEATURE IS NOT A TOOLING CONTROLLED DIMENSION AND MAY NOT BE A TRUE RADIUS.
- 3 FLASH PERMITTED $\pm .020$
- 4 STAMP "AMP 1/0 AL 13-78" SIZE AND LOCATION APPROX AS SHOWN



BODY: COPPER ASTM-B187 ANNEALED TIN PL PER ASTM B-545 .000150 MIN THK	696875-1
INSERT & FUNNEL: BRASS ASTM B36 NICKEL PL SAE AMS QQ-N-290A, DATED JULY 2000, .000100 MIN THK	
MATERIAL & FINISH	PART NO.

THIS DRAWING IS A CONTROLLED DOCUMENT.		DWN	JR RUTH	100CT05	Tyco Electronics Corporation Harrisburg, PA 17105-3608
DIMENSIONS: INCHES		CHK	MJ SPICER	100CT05	
TOLERANCES UNLESS OTHERWISE SPECIFIED:		APVD	MJ SPICER	100CT05	
0 PLC ± - 1 PLC ± - 2 PLC ± - 3 PLC ± .008 4 PLC ± - ANGLES ± - FINISH SEE TABLE		NAME	WIRE TERMINAL, RING TONGUE SEALED COPALUM, WIRE SIZE: 1/0 ALUMINUM		
MATERIAL: SEE TABLE		PRODUCT SPEC	-		RESTRICTED TO
		APPLICATION SPEC	-		
		WEIGHT	53 GRAMS	A2 00779	C=696875
		CUSTOMER DRAWING	SCALE	2:1	SHEET 1 of 1
					REV E

696875