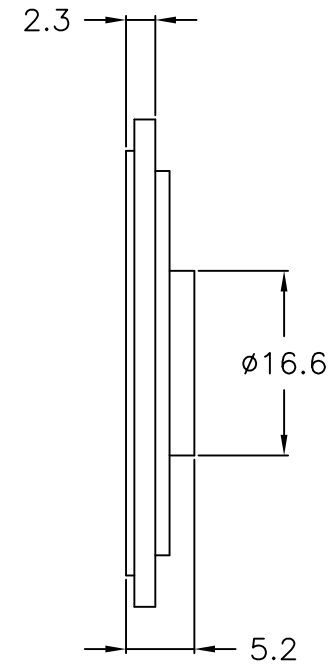
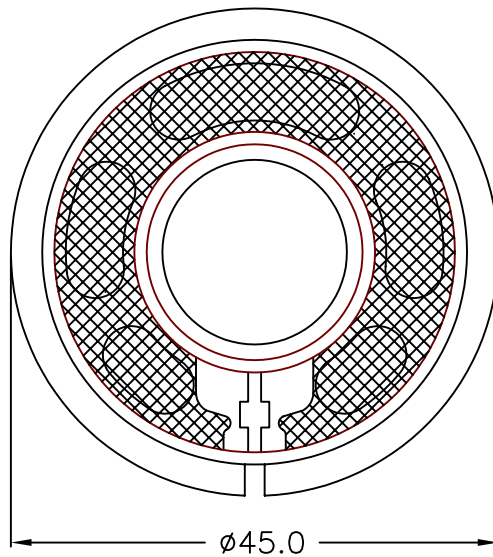


THIS DOCUMENT CONTAINS DATA PROPRIETARY TO PROJECTS UNLIMITED, INC. ANY USE OR REPRODUCTION, IN ANY FORM, WITHOUT PRIOR WRITTEN PERMISSION OF PROJECTS UNLIMITED, INC. IS PROHIBITED.
 © 2003, Projects Unlimited Inc.

SPECIFICATIONS

PARAMETERS	VALUES	UNITS
RATED INPUT POWER	1	W
MAX INPUT POWER	2	W
IMPEDANCE	8±15%	OHM
OUTPUT SPL @ 1W/1M (AT 800, 1,000, 1,200, 1,500 kHz)	84±3	dB
DISTORTION	5%	-
RESONANT FREQUENCY	450±20%	Hz
FREQUENCY RANGE	450 ~ 5,000	Hz
HOUSING MATERIAL	METAL	-
CONE MATERIAL	MYLAR	-
MAGNET MATERIAL	N35	-
OPERATING TEMPERATURE	-20 ~ +50	°C
WEIGHT	10.8	grams




REVISIONS			
LTR	DESCRIPTION	DATE	APPROVED
-	RELEASED FROM ENGINEERING	10/21/03	
A	REVISED TO NEW TEMPLATE	4/15/04	R. W.
B	REVISED SPL DIST. FROM 0.1M TO 1M	10/18/05	B. R.

NOTES:

1. ALL DIMENSIONS ARE IN MILLIMETERS.
2. SPECIFICATION SUBJECT TO CHANGE OR WITHDRAWAL WITHOUT NOTICE.

FILE NAME
AS4508M.DWG

UNLESS OTHERWISE SPECIFIED: DIMENSIONS ARE IN MILLIMETERS, TOLERANCES ARE ±0.5 AND ANGLES ARE ±3°.		 projects® unlimited Dayton, Ohio							
<table border="1"> <thead> <tr> <th>APPROVALS</th> <th>DATE</th> </tr> </thead> <tbody> <tr> <td>DRAWN <i>B. W.</i></td> <td>10/02</td> </tr> <tr> <td>APPROVED <i>S. J.</i></td> <td>10/02</td> </tr> </tbody> </table>		APPROVALS	DATE	DRAWN <i>B. W.</i>	10/02	APPROVED <i>S. J.</i>	10/02	MINIATURE SPEAKER	
APPROVALS	DATE								
DRAWN <i>B. W.</i>	10/02								
APPROVED <i>S. J.</i>	10/02								
<table border="1"> <tr> <td>SIZE A</td> <td>DRAWING NO. AS4508M</td> </tr> </table>		SIZE A	DRAWING NO. AS4508M	SHEET 1 OF 1					
SIZE A	DRAWING NO. AS4508M								
DO NOT SCALE DRAWING		SCALE: N.T.S.							