

Multi-Touch Projected Capacitive Touch Controller Product Brief

Description

MTCH6303 is an innovative turnkey projected capacitive touch controller that allows easy integration of multi-touch and gestures to create a rich user interface in your design.

The MTCH6303 provides advanced features including noise robustness, larger sensor size support up to 8", faster scanning speeds, and combines with the MTCH652 high-voltage driver to achieve a superior signal-to-noise ratio (SNR). The MTCH6303 reduces time to market by providing designers with a ready-made gesture recognition suite of multi-finger gestures including taps, slides and edge flicks for selecting, scrolling, pinching and zooming with ease. Advanced new decoding algorithms automatically enable intelligent touch prediction for a smooth user experience. These capabilities are critical in demanding environments such as industrial controls, home and office automation with security control panels, thermostat, printers and lighting controls, and various consumer applications including exercise equipment and audio systems.

Features

- Multi-touch up to ten touches
- Five touches at a minimum of 100 Hz+ each
- 27RX x 19TX channels support for up to approximately 8" touch screens
- Combines with MTCH652 high-voltage driver for advanced signal-to-noise ratio (SNR)
- Integrated single and multi-finger gesture recognition suite including taps, slides, edge and pinching and zooming
- Advanced DSP algorithms assess signal acquisition frequencies to avoid noise and achieve the cleanest measurements
- USB and I²C™ communication
- Supports 3D gestures together with the [MGC3130 GestIC® controller](#)

Applications

- Up to 8" touch screen designs that require cost-effective, easy to integrate, fast time to market PCap touch solutions
- Perfect for touch screens over displays, control panels, keypads and many other input devices
- Targeting the industrial, medical, home and office automation, and consumer markets

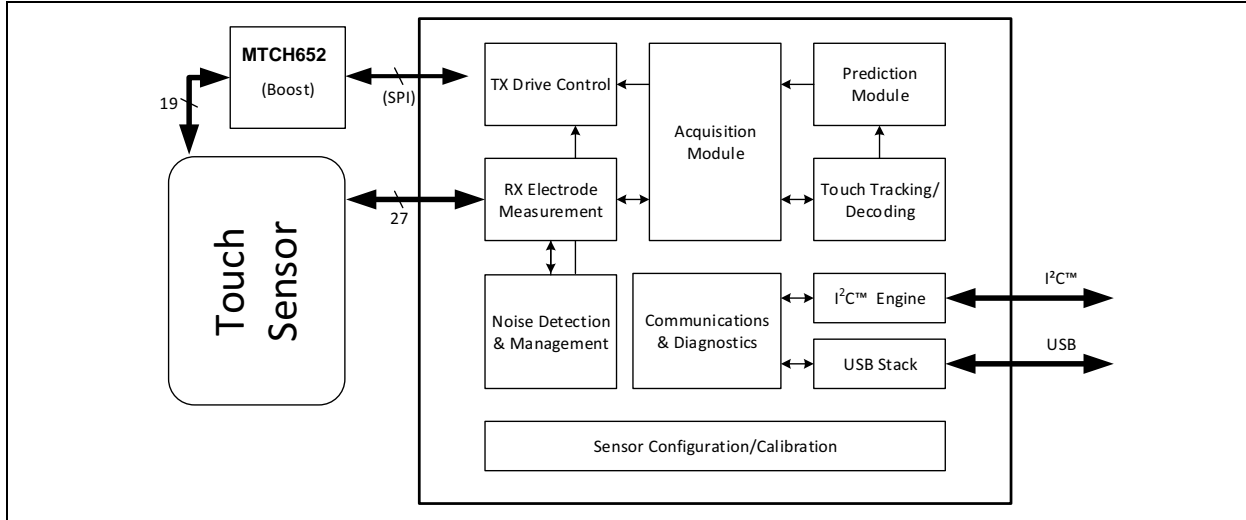
TABLE 1: MTCH6303 SOLUTION PART NUMBERS

Device	Pin Count	Package Types	Touch Channels	Features
MTCH6303-I/PT	64	10 x10 mm TQFP	27 RX, 19 TX	Multi-touch, up to 8" sensors
MTCH6303-I/RG		9 x 9 mm QFN		
*MTCH652-I/SO	28	7.5 mm SOIC	Up to 19 TX	1.8-5.5V input, 6V-18V configurable output
*MTCH652-I/SS		5.3 mm SSOP		
*MTCH652-I/MV		4 x 4 mm UQFN		

Note: *One MTCH652 high-voltage driver (boost) is required with MTCH6303.

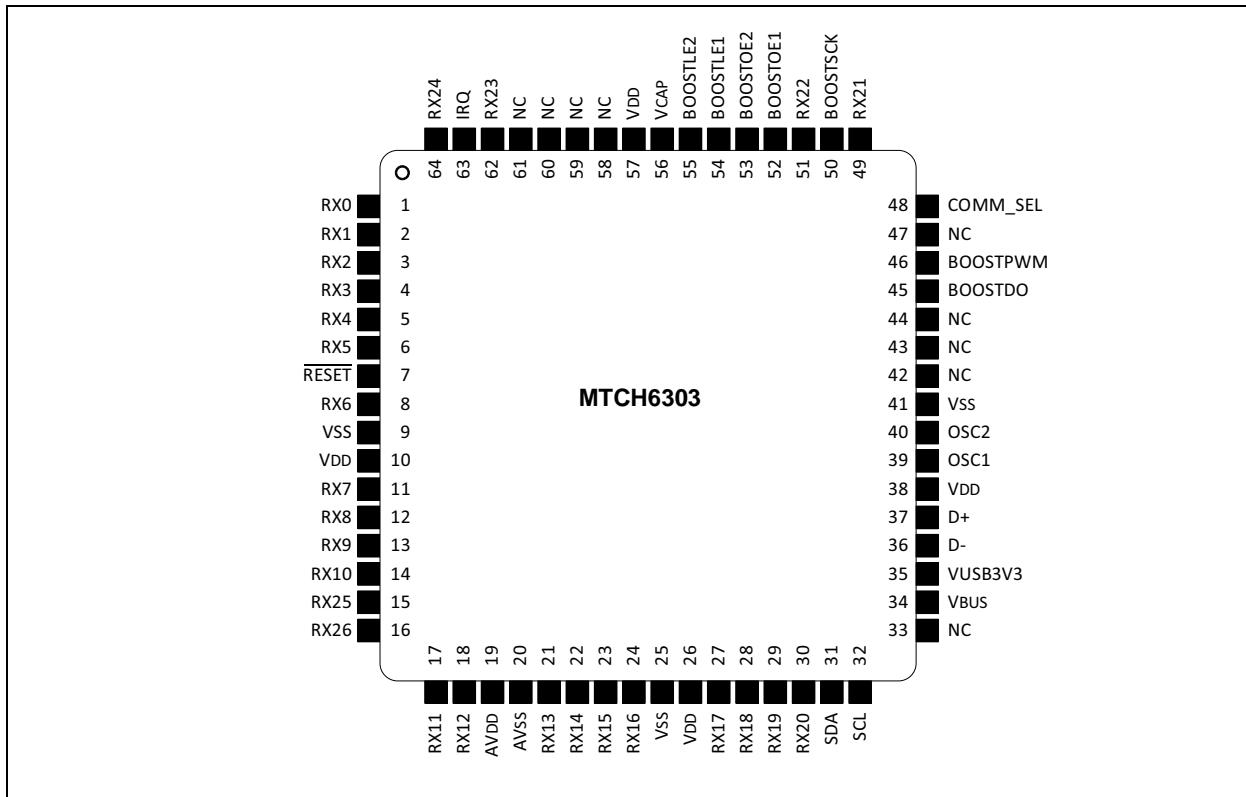
MTCH6303

FIGURE 1: MTCH6303 BLOCK DIAGRAM



Pin Diagram

FIGURE 2: MTCH6303 64-PIN DIAGRAM TQFP/QFN



PIN ALLOCATION TABLE

TABLE 2: MTCH6303 PIN ALLOCATION TABLE

Name	Pin	Description
RX0	1	Rx 0-5
RX1	2	
RX2	3	
RX3	4	
RX4	5	
RX5	6	
RESET	7	Reset
RX6	8	Rx 6
V _{SS}	9	Ground
V _{DD}	10	Power Supply Input
RX7	11	Rx 7-12, Rx 25-26
RX8	12	
RX9	13	
RX10	14	
RX25	15	
RX26	16	
RX11	17	
RX12	18	
AV _{DD}	19	Positive supply for analog modules. This pin must be connected at all times.
AV _{SS}	20	Ground reference for analog modules
RX13	21	Rx 13-16
RX14	22	
RX15	23	
RX16	24	
V _{SS}	25	Ground
V _{DD}	26	Power Supply Input
RX17	27	Rx 17-20
RX18	28	
RX19	29	
RX20	30	
SDA	31	I ² C™ Data
SCL	32	I ² C™ Clock
NC	33	Not Connected
V _{BUS}	34	USB Bus Power Monitor
V _{USB3V3}	35	USB internal transceiver supply. If the USB module is not used, this pin must be connected to V _{DD}
D-	36	USB D-
D+	37	USB D+
V _{DD}	38	Power Supply Input
OSC1	39	Oscillator Pin 1
OSC2	40	Oscillator Pin 2

MTCH6303

TABLE 2: MTCH6303 PIN ALLOCATION TABLE (CONTINUED)

Name	Pin	Description
Vss	41	Ground
NC	42	Not Connected
NC	43	
NC	44	
BOOSTDO	45	MTCH652 DO output/DIN Input
BOOSTPWM	46	MTCH652 PWM Out/OSCIN input
NC	47	Not connected
COMM_SEL	48	—
RX21	49	Rx 21
BOOSTSCK	50	MTCH652 CLK Output
RX22	51	Rx 22
BOOSTOE1	52	MTCH652 OE Output 1
BOOSTOE2	53	MTCH652 OE Output 2
BOOSTLE1	54	MTCH652 LE Output 1
BOOSTLE2	55	MTCH652 LE Output 2
VCAP	56	Capacitor for Internal Voltage Regulator
VDD	57	Power Supply Input
NC	58	Not connected
NC	59	
NC	60	
NC	61	
RX23	62	Rx 23
IRQ	63	I ² C™ Interrupt
RX24	64	Rx 24

PIN DESCRIPTIONS

RESET

- Pulling the $\overline{\text{RESET}}$ pin low generates a device Reset.

AVDD

- Positive supply for analog modules. This pin must be connected at all times.

AVSS

- Ground reference for analog modules. This pin must be connected at all times.

SDA/SCL/IRQ

- I²C™ Data
- I²C Clock
- I²C Interrupt

D+/D-

- USB D+ and D-

COMM_SEL

- Communication selection pin
- V_{DD}: I²C
- GND: USB

VUSB3V3

- USB internal transceiver supply
- If the USB module is not used, this pin must be connected to V_{DD}

OSC1/OSC2

- Clock signal input

VCAP

- A low-ESR capacitor is required on the V_{CAP} pin, which is used to stabilize the internal voltage regulator output. The V_{CAP} pin must not be connected to V_{DD} and must have a CEFC capacitor, with at least a 6V rating, connected to ground.

RX0-RX26

- RX sensor lines must correspond to the longer axis of the touch sensor. TX sensor lines are connected to the required MTCH652. Refer to [Typical Application Circuit](#) for more details.

BOOSTDO

- MTCH6303 DO serial data output, connect to MTCH652 DIN Input.

BOOSTPWM

- MTCH652 OSCIN input signal for boost

BOOSTOE1/BOOSTOE2

- MTCH652 OE Outputs

When OE is set to logic '0', all MTCH652 output latches (OUT_{xx}) are GND. When OE is set to logic '1', all output latches that are set to drive '1' will output the boost voltage level. The MTCH6303 supports up to two MTCH652 devices for larger size screen support.

BOOSTLE1/ BOOSTLE2

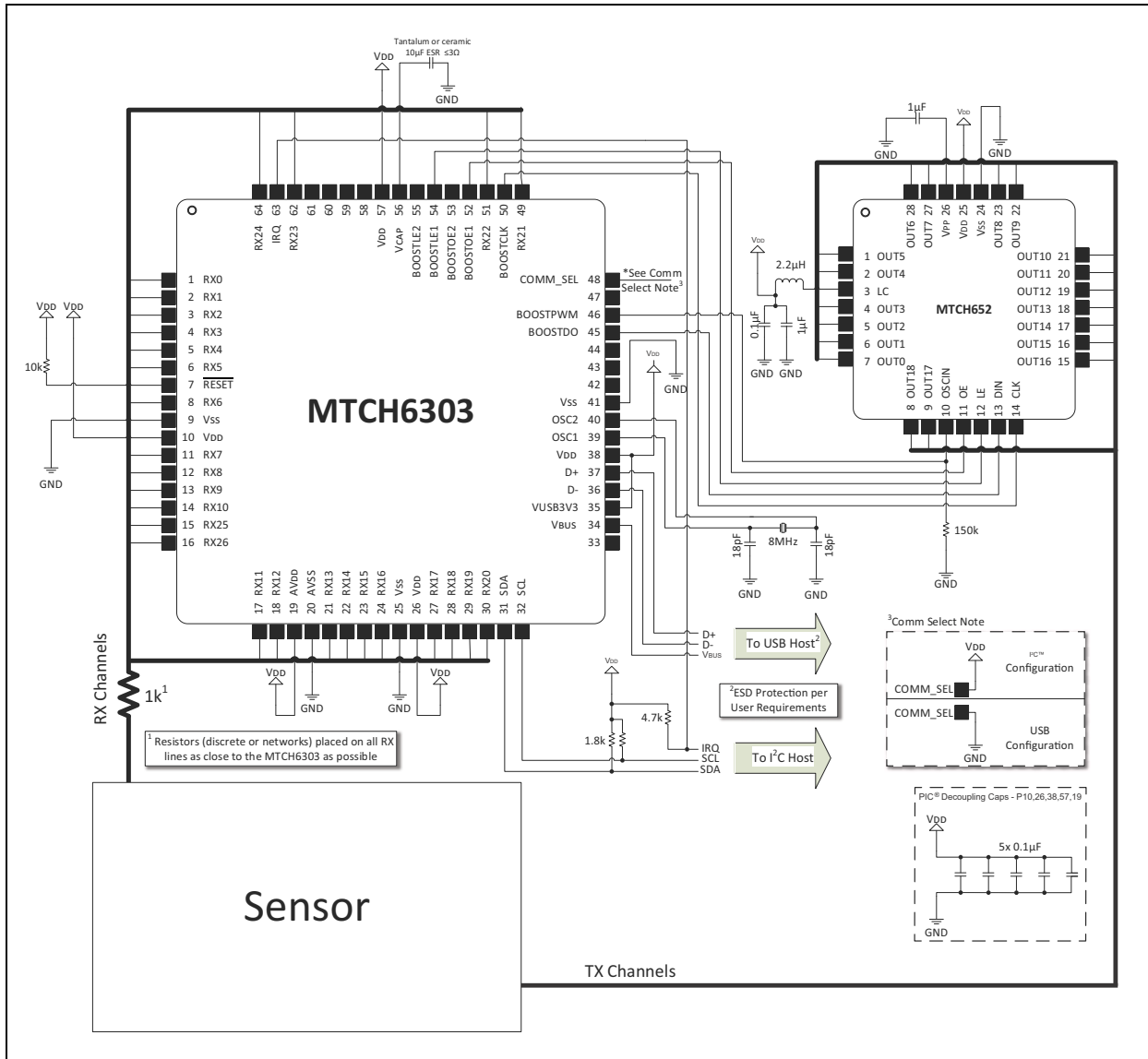
- MTCH652 LE Outputs

Latch Enable Input (LE) is the active-low latch input used for latching-in serial data. Serial data is ignored unless LE is logic '0'. After clocking serial data, the data is internally latched when LE changes from logic '0' to logic '1'. The MTCH6303 supports up to two MTCH652 devices for larger size screen support.

MTCH6303

TYPICAL APPLICATION CIRCUIT

FIGURE 3: MTCH6303 AND MTCH652 APPLICATION CIRCUIT



Note the following details of the code protection feature on Microchip devices:

- Microchip products meet the specification contained in their particular Microchip Data Sheet.
- Microchip believes that its family of products is one of the most secure families of its kind on the market today, when used in the intended manner and under normal conditions.
- There are dishonest and possibly illegal methods used to breach the code protection feature. All of these methods, to our knowledge, require using the Microchip products in a manner outside the operating specifications contained in Microchip's Data Sheets. Most likely, the person doing so is engaged in theft of intellectual property.
- Microchip is willing to work with the customer who is concerned about the integrity of their code.
- Neither Microchip nor any other semiconductor manufacturer can guarantee the security of their code. Code protection does not mean that we are guaranteeing the product as “unbreakable.”

Code protection is constantly evolving. We at Microchip are committed to continuously improving the code protection features of our products. Attempts to break Microchip's code protection feature may be a violation of the Digital Millennium Copyright Act. If such acts allow unauthorized access to your software or other copyrighted work, you may have a right to sue for relief under that Act.

Information contained in this publication regarding device applications and the like is provided only for your convenience and may be superseded by updates. It is your responsibility to ensure that your application meets with your specifications. MICROCHIP MAKES NO REPRESENTATIONS OR WARRANTIES OF ANY KIND WHETHER EXPRESS OR IMPLIED, WRITTEN OR ORAL, STATUTORY OR OTHERWISE, RELATED TO THE INFORMATION, INCLUDING BUT NOT LIMITED TO ITS CONDITION, QUALITY, PERFORMANCE, MERCHANTABILITY OR FITNESS FOR PURPOSE. Microchip disclaims all liability arising from this information and its use. Use of Microchip devices in life support and/or safety applications is entirely at the buyer's risk, and the buyer agrees to defend, indemnify and hold harmless Microchip from any and all damages, claims, suits, or expenses resulting from such use. No licenses are conveyed, implicitly or otherwise, under any Microchip intellectual property rights.

Trademarks

The Microchip name and logo, the Microchip logo, dsPIC, FlashFlex, flexPWR, JukeBlox, KEELOQ, KEELOQ logo, Klear, LANCheck, MediaLB, MOST, MOST logo, MPLAB, OptoLyzer, PIC, PICSTART, PIC³² logo, RightTouch, SpyNIC, SST, SST Logo, SuperFlash and UNI/O are registered trademarks of Microchip Technology Incorporated in the U.S.A. and other countries.

The Embedded Control Solutions Company and mTouch are registered trademarks of Microchip Technology Incorporated in the U.S.A.

Analog-for-the-Digital Age, BodyCom, chipKIT, chipKIT logo, CodeGuard, dsPICDEM, dsPICDEM.net, ECAN, In-Circuit Serial Programming, ICSP, Inter-Chip Connectivity, KlearNet, KlearNet logo, MiWi, MPASM, MPF, MPLAB Certified logo, MPLIB, MPLINK, MultiTRAK, NetDetach, Omniscient Code Generation, PICDEM, PICDEM.net, PICkit, PICtail, RightTouch logo, REAL ICE, SQI, Serial Quad I/O, Total Endurance, TSHARC, USBCheck, VariSense, ViewSpan, WiperLock, Wireless DNA, and ZENA are trademarks of Microchip Technology Incorporated in the U.S.A. and other countries.

SQTP is a service mark of Microchip Technology Incorporated in the U.S.A.

Silicon Storage Technology is a registered trademark of Microchip Technology Inc. in other countries.

GestIC is a registered trademark of Microchip Technology Germany II GmbH & Co. KG, a subsidiary of Microchip Technology Inc., in other countries.

All other trademarks mentioned herein are property of their respective companies.

© 2015, Microchip Technology Incorporated, Printed in the U.S.A., All Rights Reserved.

ISBN:

Microchip received ISO/TS-16949:2009 certification for its worldwide headquarters, design and wafer fabrication facilities in Chandler and Tempe, Arizona; Gresham, Oregon and design centers in California and India. The Company's quality system processes and procedures are for its PIC[®] MCUs and dsPIC[®] DSCs, KEELOQ[®] code hopping devices, Serial EEPROMs, microperipherals, nonvolatile memory and analog products. In addition, Microchip's quality system for the design and manufacture of development systems is ISO 9001:2000 certified.

**QUALITY MANAGEMENT SYSTEM
CERTIFIED BY DNV
= ISO/TS 16949 =**



MICROCHIP

Worldwide Sales and Service

AMERICAS

Corporate Office
2355 West Chandler Blvd.
Chandler, AZ 85224-6199
Tel: 480-792-7200
Fax: 480-792-7277
Technical Support:
<http://www.microchip.com/support>
Web Address:
www.microchip.com

Atlanta
Duluth, GA
Tel: 678-957-9614
Fax: 678-957-1455

Austin, TX
Tel: 512-257-3370

Boston
Westborough, MA
Tel: 774-760-0087
Fax: 774-760-0088

Chicago
Itasca, IL
Tel: 630-285-0071
Fax: 630-285-0075

Cleveland
Independence, OH
Tel: 216-447-0464
Fax: 216-447-0643

Dallas
Addison, TX
Tel: 972-818-7423
Fax: 972-818-2924

Detroit
Novi, MI
Tel: 248-848-4000

Houston, TX
Tel: 281-894-5983

Indianapolis
Noblesville, IN
Tel: 317-773-8323
Fax: 317-773-5453

Los Angeles
Mission Viejo, CA
Tel: 949-462-9523
Fax: 949-462-9608

New York, NY
Tel: 631-435-6000

San Jose, CA
Tel: 408-735-9110

Canada - Toronto
Tel: 905-673-0699
Fax: 905-673-6509

ASIA/PACIFIC

Asia Pacific Office
Suites 3707-14, 37th Floor
Tower 6, The Gateway
Harbour City, Kowloon
Hong Kong
Tel: 852-2943-5100
Fax: 852-2401-3431

Australia - Sydney
Tel: 61-2-9868-6733
Fax: 61-2-9868-6755

China - Beijing
Tel: 86-10-8569-7000
Fax: 86-10-8528-2104

China - Chengdu
Tel: 86-28-8665-5511
Fax: 86-28-8665-7889

China - Chongqing
Tel: 86-23-8980-9588
Fax: 86-23-8980-9500

China - Dongguan
Tel: 86-769-8702-9880

China - Hangzhou
Tel: 86-571-8792-8115
Fax: 86-571-8792-8116

China - Hong Kong SAR
Tel: 852-2943-5100
Fax: 852-2401-3431

China - Nanjing
Tel: 86-25-8473-2460
Fax: 86-25-8473-2470

China - Qingdao
Tel: 86-532-8502-7355
Fax: 86-532-8502-7205

China - Shanghai
Tel: 86-21-5407-5533
Fax: 86-21-5407-5066

China - Shenyang
Tel: 86-24-2334-2829
Fax: 86-24-2334-2393

China - Shenzhen
Tel: 86-755-8864-2200
Fax: 86-755-8203-1760

China - Wuhan
Tel: 86-27-5980-5300
Fax: 86-27-5980-5118

China - Xian
Tel: 86-29-8833-7252
Fax: 86-29-8833-7256

ASIA/PACIFIC

China - Xiamen
Tel: 86-592-2388138
Fax: 86-592-2388130

China - Zhuhai
Tel: 86-756-3210040
Fax: 86-756-3210049

India - Bangalore
Tel: 91-80-3090-4444
Fax: 91-80-3090-4123

India - New Delhi
Tel: 91-11-4160-8631
Fax: 91-11-4160-8632

India - Pune
Tel: 91-20-3019-1500

Japan - Osaka
Tel: 81-6-6152-7160
Fax: 81-6-6152-9310

Japan - Tokyo
Tel: 81-3-6880-3770
Fax: 81-3-6880-3771

Korea - Daegu
Tel: 82-53-744-4301
Fax: 82-53-744-4302

Korea - Seoul
Tel: 82-2-554-7200
Fax: 82-2-558-5932 or
82-2-558-5934

Malaysia - Kuala Lumpur
Tel: 60-3-6201-9857
Fax: 60-3-6201-9859

Malaysia - Penang
Tel: 60-4-227-8870
Fax: 60-4-227-4068

Philippines - Manila
Tel: 63-2-634-9065
Fax: 63-2-634-9069

Singapore
Tel: 65-6334-8870
Fax: 65-6334-8850

Taiwan - Hsin Chu
Tel: 886-3-5778-366
Fax: 886-3-5770-955

Taiwan - Kaohsiung
Tel: 886-7-213-7828

Taiwan - Taipei
Tel: 886-2-2508-8600
Fax: 886-2-2508-0102

Thailand - Bangkok
Tel: 66-2-694-1351
Fax: 66-2-694-1350

EUROPE

Austria - Wels
Tel: 43-7242-2244-39
Fax: 43-7242-2244-393

Denmark - Copenhagen
Tel: 45-4450-2828
Fax: 45-4485-2829

France - Paris
Tel: 33-1-69-53-63-20
Fax: 33-1-69-30-90-79

Germany - Dusseldorf
Tel: 49-2129-3766400

Germany - Munich
Tel: 49-89-627-144-0
Fax: 49-89-627-144-44

Germany - Pforzheim
Tel: 49-7231-424750

Italy - Milan
Tel: 39-0331-742611
Fax: 39-0331-466781

Italy - Venice
Tel: 39-049-7625286

Netherlands - Drunen
Tel: 31-416-690399
Fax: 31-416-690340

Poland - Warsaw
Tel: 48-22-3325737

Spain - Madrid
Tel: 34-91-708-08-90
Fax: 34-91-708-08-91

Sweden - Stockholm
Tel: 46-8-5090-4654

UK - Wokingham
Tel: 44-118-921-5800
Fax: 44-118-921-5820

01/27/15