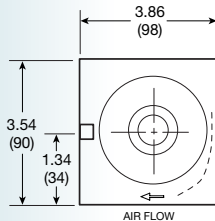
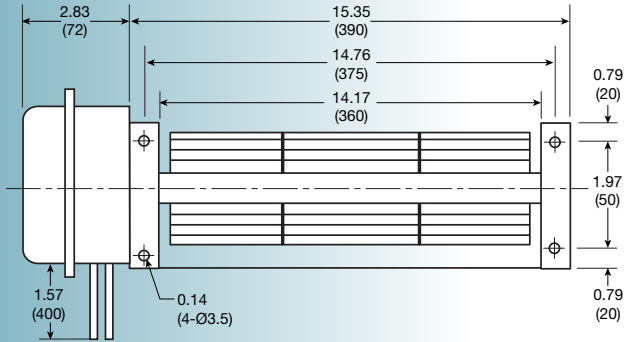
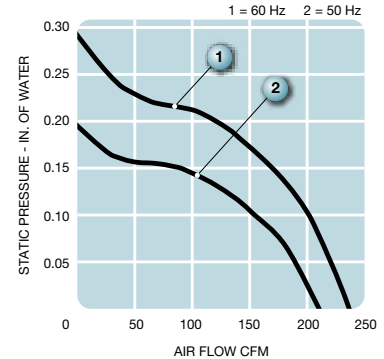


UF6036 series



Size: (462 mm x 98 mm x 90 mm)
18.19 x 3.86 x 3.54 inches

- Features:** cross flow blower
- Operating voltage (VAC):** 120 or 230
- Operating temp:** -40° to 70° C
- Construction:** steel frame with aluminum impeller
- Bearing option:** ball bearing
- Motor:** permanent split capacitor
- Connection:** 22 AWG lead wires
- Protection:** thermal
- Insulation:** Class B



Model No.	Rated Voltage V	Freq. HZ	Input Power W	Rated Cur. A	Locked Cur. A	Speed RPM	Air Volume		Max. Static Pressure (H ₂ O)		Sound Noise dbA	Weight kg
							M ³ /Min.	CFM	MM	INCH		
UF6036CBA12H-L	120	50	35	0.33	0.46	2500	5.5	195	5.0	0.20	50	2.1
	120	60	37	0.33	0.46	2800	6.0	212	7.5	0.30	53	2.1
UF6036CBA23H-L	230	50	35	0.17	0.22	2500	5.5	195	5.0	0.20	50	2.1
	230	60	37	0.17	0.22	2800	6.0	212	7.5	0.30	53	2.1