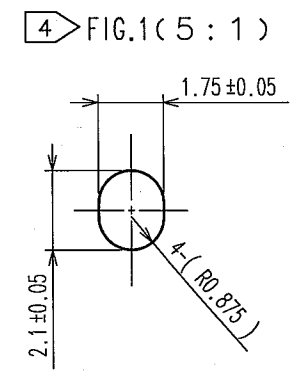
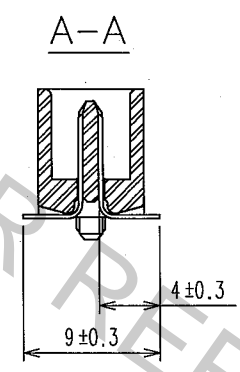
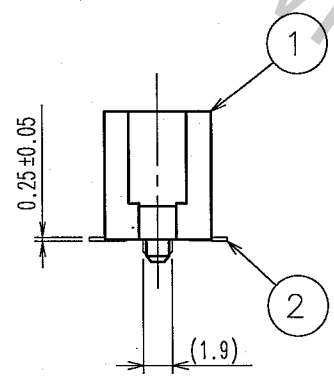
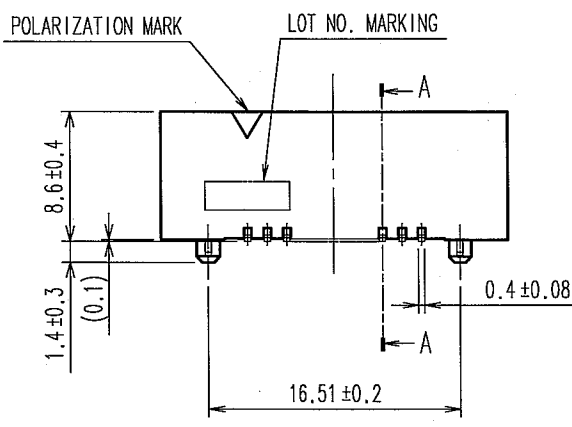
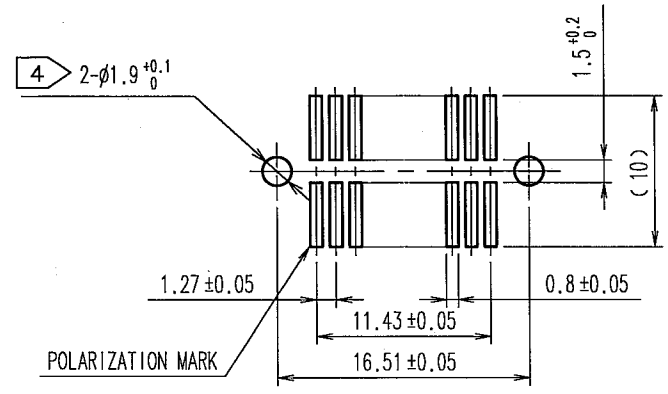
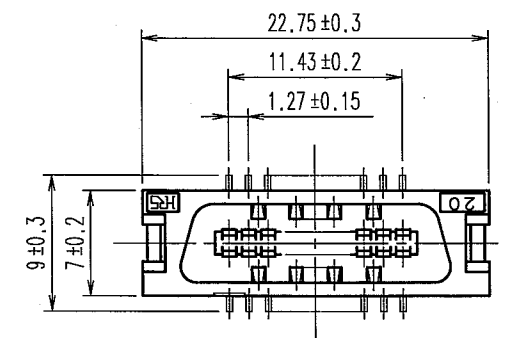


Apr.1.2017 Copyright 2017 HIROSE ELECTRIC CO., LTD. All Rights Reserved.

5					6					7					8				
COUNT	DESCRIPTION OF REVISIONS				BY	CHKD	DATE	COUNT	DESCRIPTION OF REVISIONS				BY	CHKD	DATE				
△							..	△							..				
△							..	△							..				
△							..	△							..				

RECOMMENDED LAND PATTERN DIMENSION OF PCB (MOUNTING SIDE)



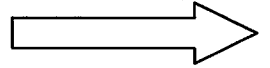
- NOTES
- 1 LEAD CO-PLANARITY SHALL BE 0.15 MAX.
 - 2 THE DIMENSIONS IN PARENTHESES ARE FOR REFERENCE.
 - 3 EMBOSS CARRIER PACKINGS APPLIED TO THIS PRODUCT.
 - 4 IN CASE OF THE AUTOMATED MOUNTING, RECOMMENDED HOLE DIAMETER OF BOSS IS SHOWN IN FIG.1.

1	PPS	LIGHT BROWN (UL94V-0)	2	PHOSPHOR BRONZE	CONTACT AREA:GOLD 0.2μ m min. LEAD AREA:TIN-PLATING 2μ m min. UNDER PLATING:NICKEL 2μ m min.
NO.	MATERIAL	FINISH, REMARKS	NO.	MATERIAL	FINISH, REMARKS
CODE NO. (OLD) CL		DRAWN A. SUZUKAWA 06.12.19	DESIGNED <i>(Signature)</i> 06.12.19	CHECKED <i>(Signature)</i> 06.12.19	APPROVED <i>(Signature)</i> 06.12.19
SCALE 2 : 1		DRAWING NO. EDC3-082751-22		PART NO. FX2-20P-1.27SV(92)	
UNITS mm		HRS HIROSE ELECTRIC CO., LTD		CODE NO. CL572-2001-9-92	
					1/2

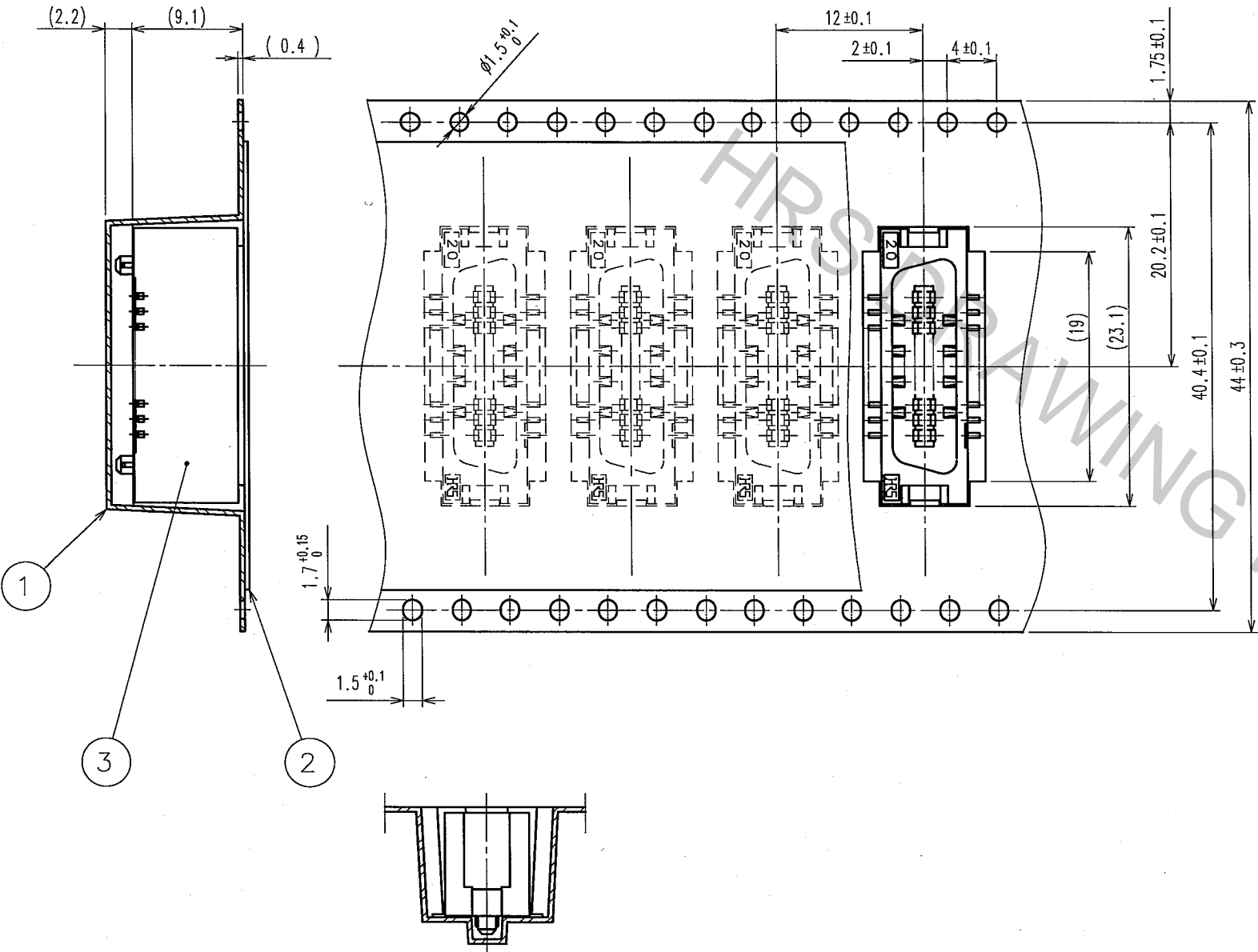
TO

Apr.1.2017 Copyright 2017 HIROSE ELECTRIC CO., LTD. All Rights Reserved.

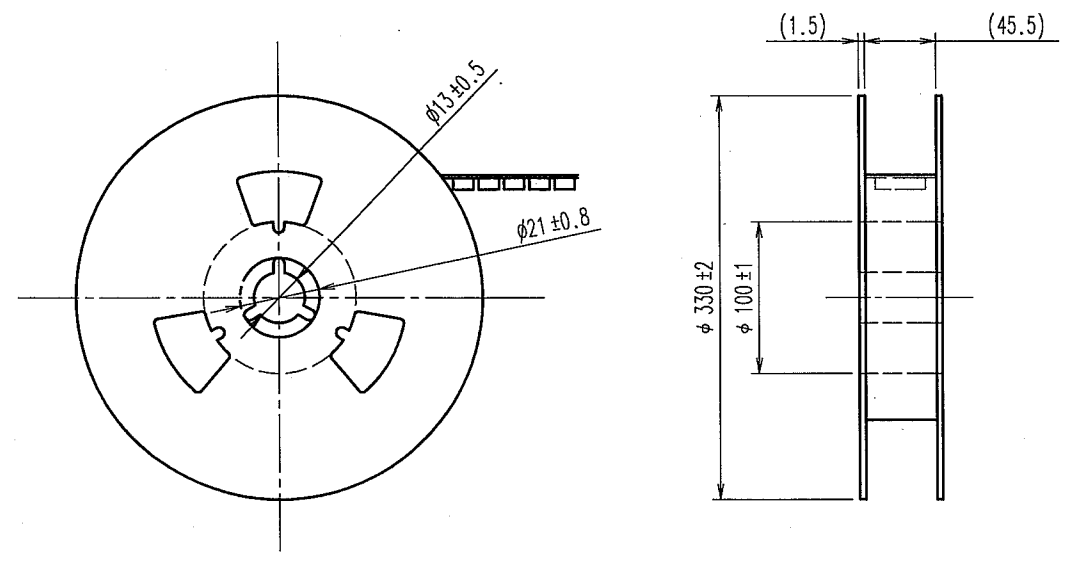
DIRECTION OF UNREELING



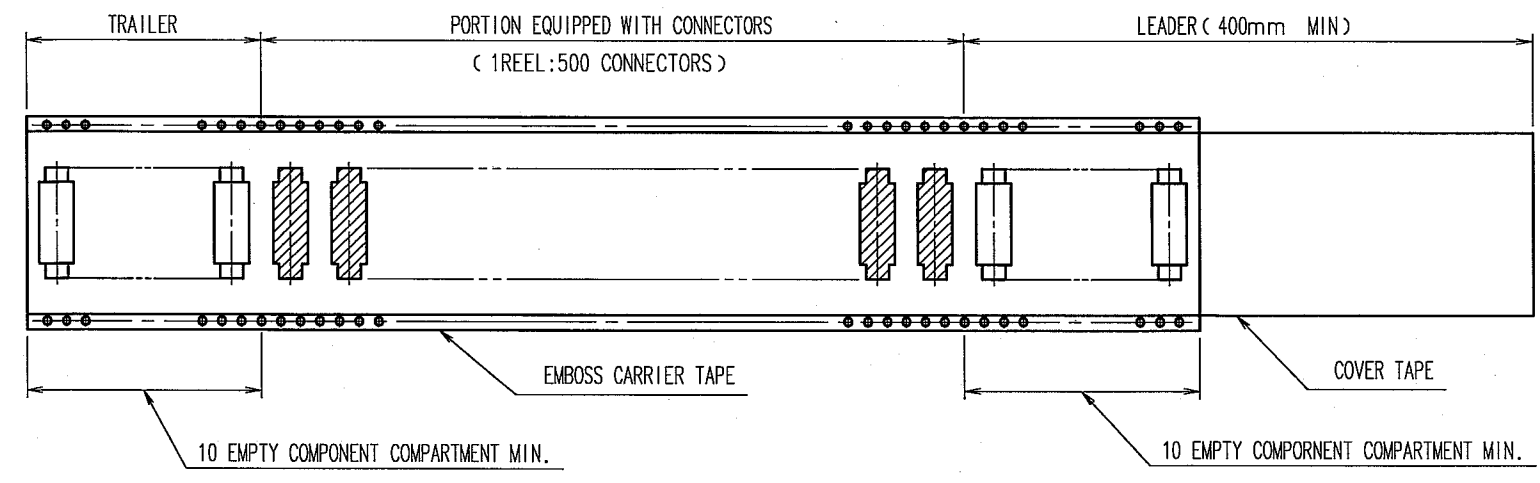
COUNT	DESCRIPTION OF REVISIONS	BY	CHKD	DATE	COUNT	DESCRIPTION OF REVISIONS	BY	CHKD	DATE



STYLE AND DIMENSIONS OF REEL (FREE)



NOTE 1 1 REEL : 500 CONNECTORS



TO
PCK

2	POLYESTER	COVER TAPE	3	(CONNECTOR)				
1	POLYSTYRENE	EMBOSS CARRIER TAPE						
NO.	MATERIAL	FINISH, REMARKS	NO.	MATERIAL	FINISH, REMARKS			
CODE NO. (OLD)			DRAWN	DESIGNED	CHECKED	APPROVED	RELEASED	
			A. SUZUKAWA	<i>N. Nakamura</i>	<i>J. Ozawa</i>	<i>H. Okawa</i>		
			06.12.19	06.12.19	06.12.19	06.12.19		
DRAWING NO.			PART NO.					
EDC3-082751-22			FX2-20P-1.27SV(92)					
SCALE			CODE NO.					
2 : 1			CL572-2001-9-92					
UNITS								
mm			HRS HIROSE ELECTRIC CO., LTD					
					2/2			