

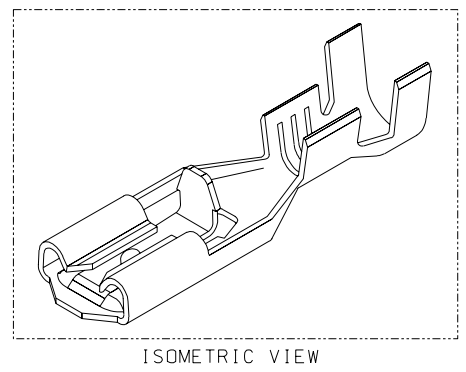
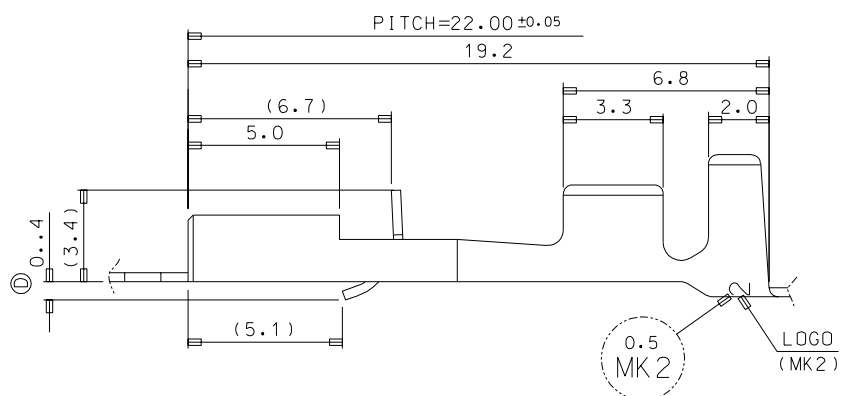
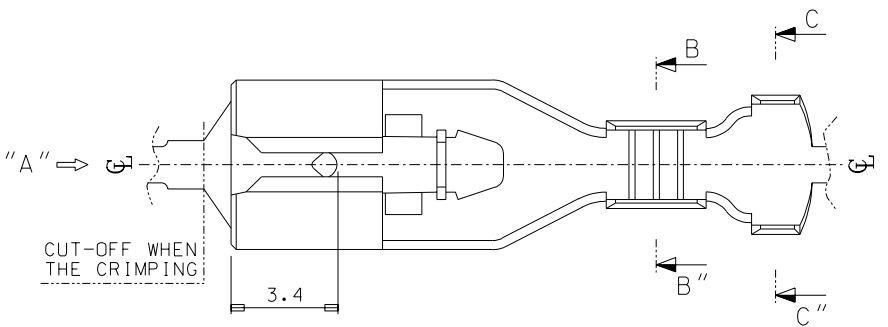
DO NOT SCALE DRAWING
DIMENSION IN METRIC

C

PROJECT NO.
187 MP-LOCK CONN'

SIMILAR ITEM

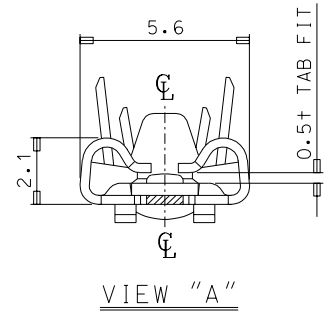
DWG. NO.
SD-35068-980



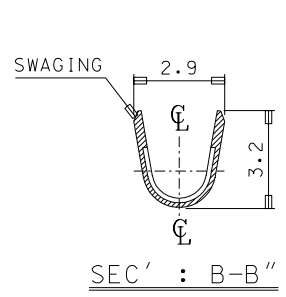
ISOMETRIC VIEW

- NOTES
1. MATERIAL : BRASS, 0.30 mm THICKNESS
 2. FINISH : PRE-PLATED TIN
 3. MATING TAB THICKNESS : 0.50 mm
 4. RECOMMENDED LENGTH OF WIRE STRIP IS 4.4-5.0mm.
 5. APPLICABLE WIRE : AWG #20-#16
INSULATION DIA. : ϕ 1.9-3.4mm

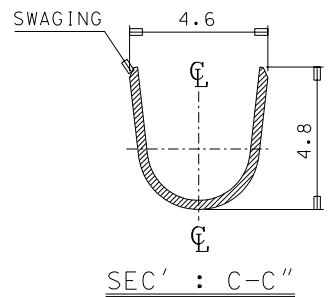
MATERIAL NO.	ENG NO.	REMARK
350689802	35068-9802	HIGH TENSION VERSION
350689842	35068-9842	LOW TENSION VESION



VIEW "A"



SEC' : B-B''



SEC' : C-C''

REVISED	EC NO. KOR 2003-0004 DRWN: C.B.CHIN 02/07/05 CHK: W.Y. YANG APPR: C.W.LEE	DESCRIPTION	QUALITY SYMBOLS MAJOR = 0 CRITICAL = 0	GENERAL TOLERANCES: (UNLESS SPECIFIED)		SCALE	DESIGN UNITS	THIRD ANGLE PROJECTION	DIMENSIONS:			SHT	REV	
				mm	INCH	6/1	<input checked="" type="checkbox"/> mm <input type="checkbox"/> INCH		<input type="checkbox"/> mm <input type="checkbox"/> INCH	<input checked="" type="checkbox"/> mm ONLY		REVISE ON CAD ONLY		
F	REV			4 PLACES	$\pm 0.$	\pm	DRAWN BY & DATE J. S. KANG 97/12/02	TITLE: .187 MP-LOCK TM'L(M) (0.5+ TAB FIT)	MOLEX INCORPORATED			MATERIAL NO. SEE CHART	DRAWING NO. SD-35068-980	SHEET NO. 1 of 1
				3 PLACES	$\pm 0.$	\pm								
				2 PLACES	± 0.2	\pm	APPROVED BY & DATE C. W. LEE							
				1 PLACE	± 0.3	\pm	CAD FILENAME s35068.dgn							
				ANGULAR: $\pm 1^\circ$										
				DRAFT WHERE APPLICABLE MUST REMAIN WITHIN DIMENSIONS		THIS DRAWING CONTAINS INFORMATION THAT IS PROPRIETARY TO MOLEX INCORPORATED AND SHOULD NOT BE USED WITHOUT WRITTEN PERMISSION.							SIZE B	

MX-A3