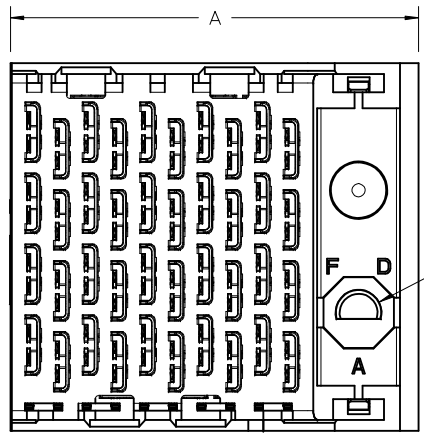
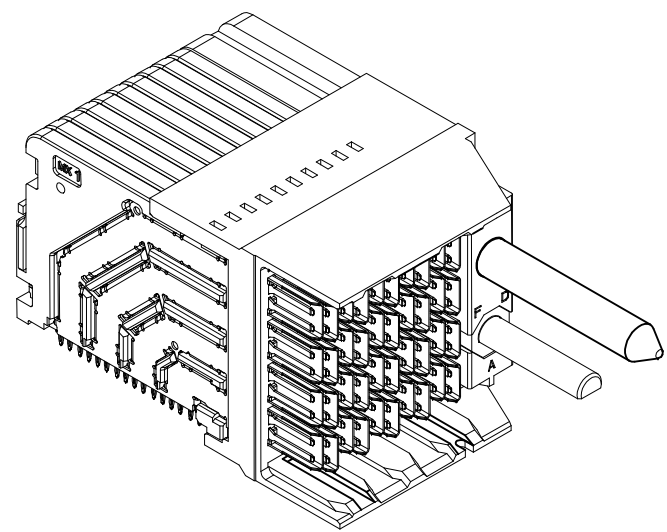


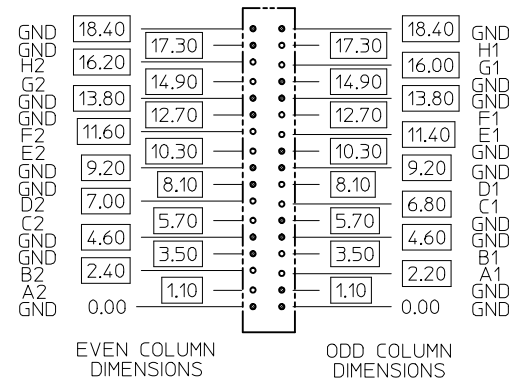
- NOTES:
1. MATERIALS: HOUSING - LIQUID CRYSTAL POLYMER (LCP)
GLASS-FILLED, UL94V-0
TERMINALS - HIGH PERFORMANCE COPPER ALLOY
 2. FINISH: 30µIN GOLD IN CONTACT AREA.
SELECTIVE TIN ON PCB TAILS.
NICKEL OVERALL.
 3. REFER TO MOLEX PRODUCT SPECIFICATION PS-171320-999 FOR PERFORMANCE SPECIFICATIONS.
 4. THIS PART CONFORMS TO CLASS B REQUIREMENTS OF COSMETIC SPEC PS-45499-002.
 5. PRODUCT WILL BE PACKAGED PER PK-78888-314.
 6. SEE SHEET 2 FOR PCB LAYOUT AND MATING BOARD RELATIONSHIP.
 7. MATES WITH IMPEL DAUGHTERCARD SERIES NUMBER 171320 (LEFT GUIDED).
 8. REFER TO IMPEL PCB ROUTING GUIDE AS-171320-990 FOR ANTIPAD, ROUTING RECOMMENDATIONS, AND ADDITIONAL PCB INFORMATION.
 9. WHEN STACKING MODULES END TO END, THE MINIMUM COLUMN TO COLUMN HOLE SPACING IS 2.65mm.
 10. CONNECTOR IS SUPPLIED WITH ONE 2-32 THREAD FORMING SCREW.



KEY SHOWN IN POSITION "A"

ADDED 16 COL P/N'S EC NO: UCP2016-4033 DRAWN:TPREMO 2015/10/28 CHKD:CCTEH APPR:SHLENI 2016/04/20 REV: A1	QUALITY SYMBOLS ▽ = 0 ▽ = 0 ▽ = 0	GENERAL TOLERANCES (UNLESS SPECIFIED)		DIMENSION STYLE MM ONLY	SCALE 4:1	DESIGN UNITS METRIC	THIRD ANGLE PROJECTION
		mm INCH	DRAWN BY DATE JLAURX 2014/02/07	TITLE IMPEL 4 PAIR RIGHT ANGLE MALE (RAM) GUIDE RIGHT SALES DWG			
		4 PLACES ± --- ± --- 3 PLACES ± --- ± --- 2 PLACES ± 0.13 ± --- 1 PLACE ± 0.25 ± --- 0 PLACE ± --- ± ---	CHECKED BY DATE JLAURX 2014/02/07	molex			
		ANGULAR ±1/2°	APPROVED BY DATE JLAURX 2014/12/09	MATERIAL NO. SEE CHART	DOCUMENT NO. SD-172140-0002	SHEET NO. 1 OF 2	
DRAFT WHERE APPLICABLE MUST REMAIN WITHIN DIMENSIONS		THIS DRAWING CONTAINS INFORMATION THAT IS PROPRIETARY TO MOLEX INCORPORATED AND SHOULD NOT BE USED WITHOUT WRITTEN PERMISSION					

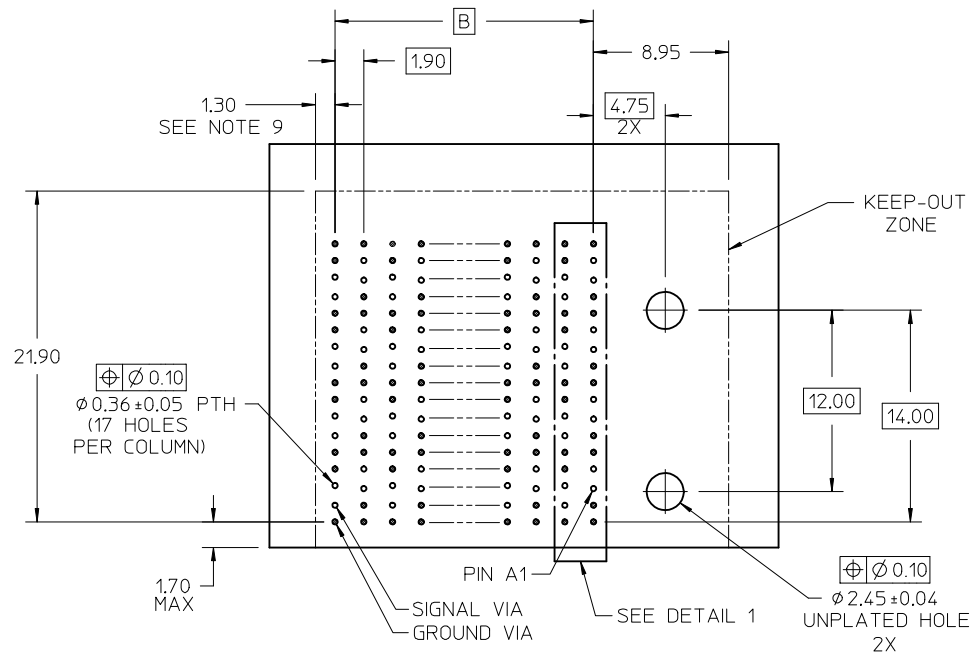
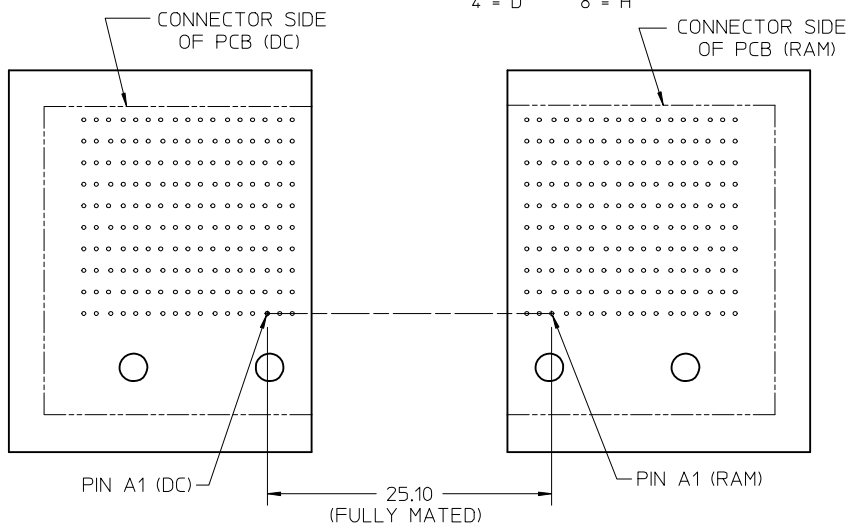
MATERIAL NUMBER	NUMBER OF COLUMNS	NUMBER OF DIFF PAIR	DIM "A"	DIM "B"	DIM "P"
172140-38*7	8	32	23.55 MAX	13.30	4.90
172140-31*7	10	40	27.35 MAX	17.10	4.90
172140-32*7	12	48	31.15 MAX	20.90	4.90
172140-36*7	16	64	38.75 MAX	28.50	4.90
172140-38*8	8	32	23.55 MAX	13.30	5.50
172140-31*8	10	40	27.35 MAX	17.10	5.50
172140-32*8	12	48	31.15 MAX	20.90	5.50
172140-36*8	16	64	38.75 MAX	28.50	5.50



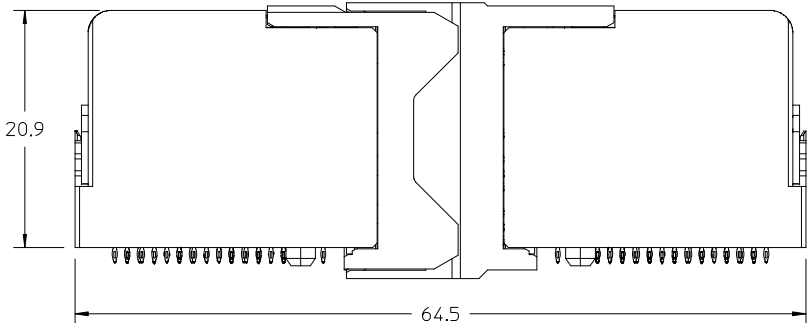
DETAIL 1
SCALE 4:1

172140-3***

MODULE TYPE: 3 = GUIDE RIGHT
 COLUMN SIZE: 8 = 8 COLUMN, 1 = 10 COLUMN, 2 = 12 COLUMN, 6 = 16 COLUMN
 KEY ORIENTATION: 0 = NO KEY, 1 = A, 2 = B, 3 = C, 4 = D, 5 = E, 6 = F, 7 = G, 8 = H
 PIN LENGTH (P): 7 = 4.90mm, 8 = 5.50mm



RAM HOLE PATTERN
(CONNECTOR SIDE)



SEE SHEET 1 EC NO: UCP2016-4033 DRAWN:PREMO 2015/10/28 CHKD:CCTEH APPR:SHLENI 2016/04/20	QUALITY SYMBOLS	GENERAL TOLERANCES (UNLESS SPECIFIED)	DIMENSION STYLE MM ONLY	SCALE 4:1	DESIGN UNITS METRIC	THIRD ANGLE PROJECTION
	▽ = 0	4 PLACES ± --- ± ---	DRAWN BY JLAURX	DATE 2014/02/07	IMPEL 4 PAIR RIGHT ANGLE MALE (RAM) GUIDE RIGHT SALES DWG molex DOCUMENT NO. SD-172140-0002 SHEET NO. 2 OF 2	
	▽ = 0	3 PLACES ± --- ± ---	CHECKED BY JLAURX	DATE 2014/02/07		
	▽ = 0	2 PLACES ± 0.13 ± ---	APPROVED BY JLAURX	DATE 2014/12/09		
▽ = 0	1 PLACE ± 0.25 ± ---	0 PLACE ± --- ± ---				
		ANGULAR ±1/2°	MATERIAL NO.	SEE CHART		
		DRAFT WHERE APPLICABLE MUST REMAIN WITHIN DIMENSIONS	SIZE C	THIS DRAWING CONTAINS INFORMATION THAT IS PROPRIETARY TO MOLEX INCORPORATED AND SHOULD NOT BE USED WITHOUT WRITTEN PERMISSION		