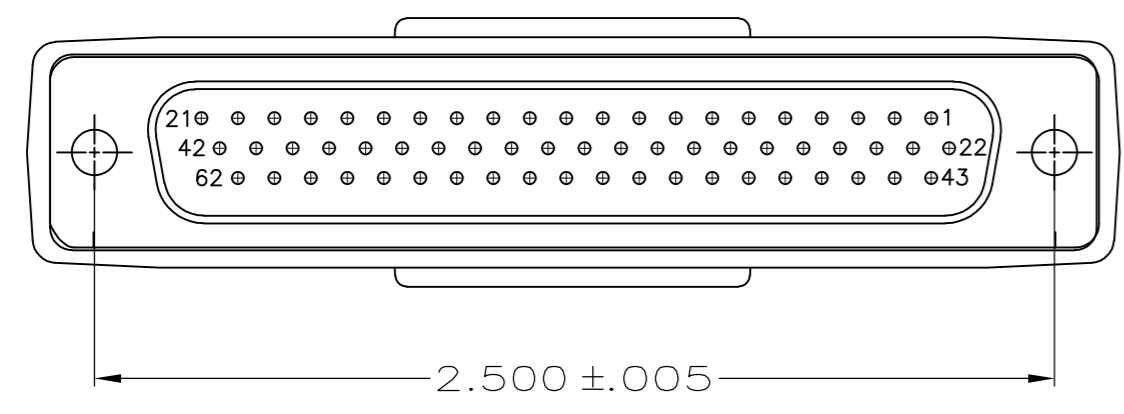
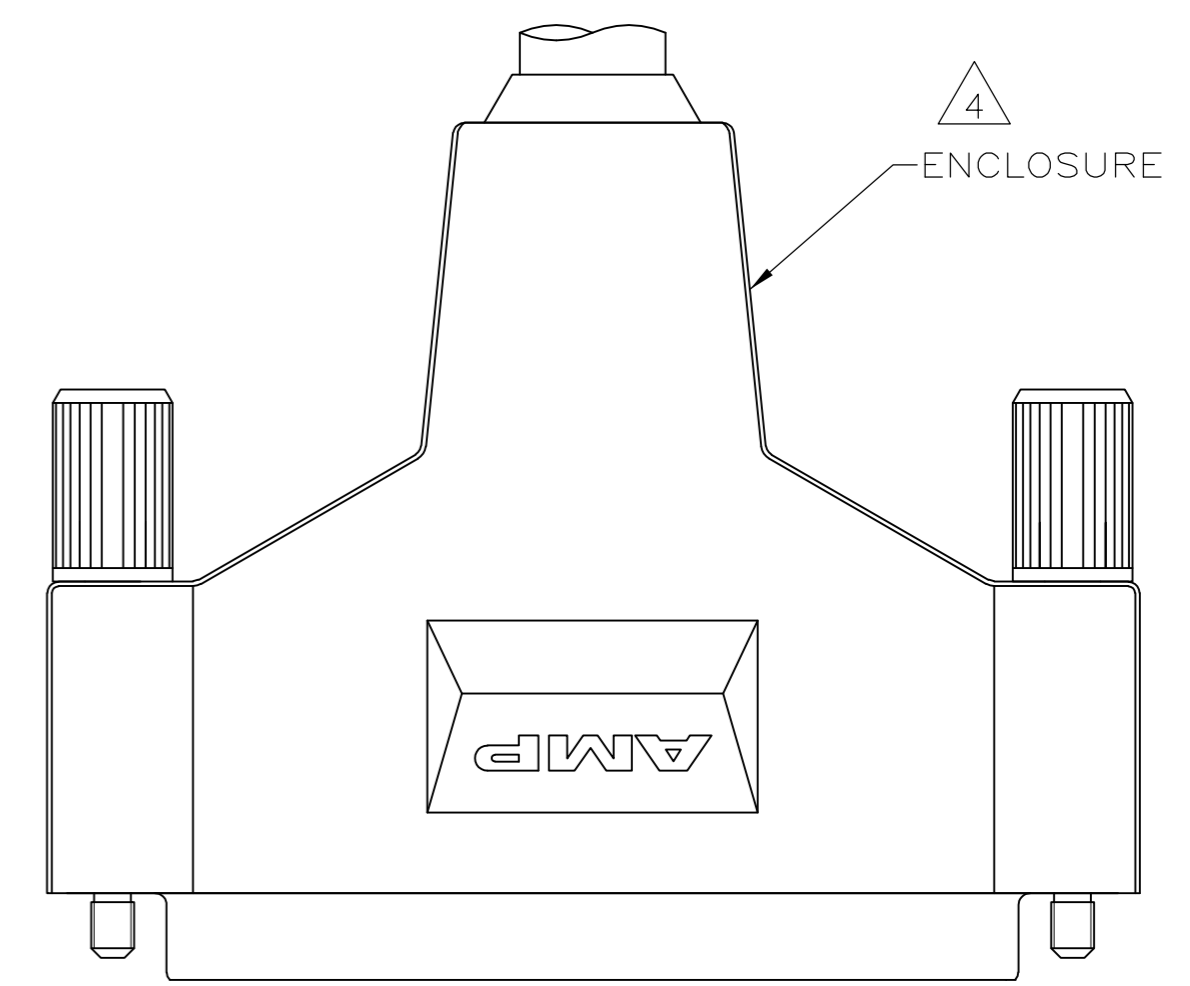
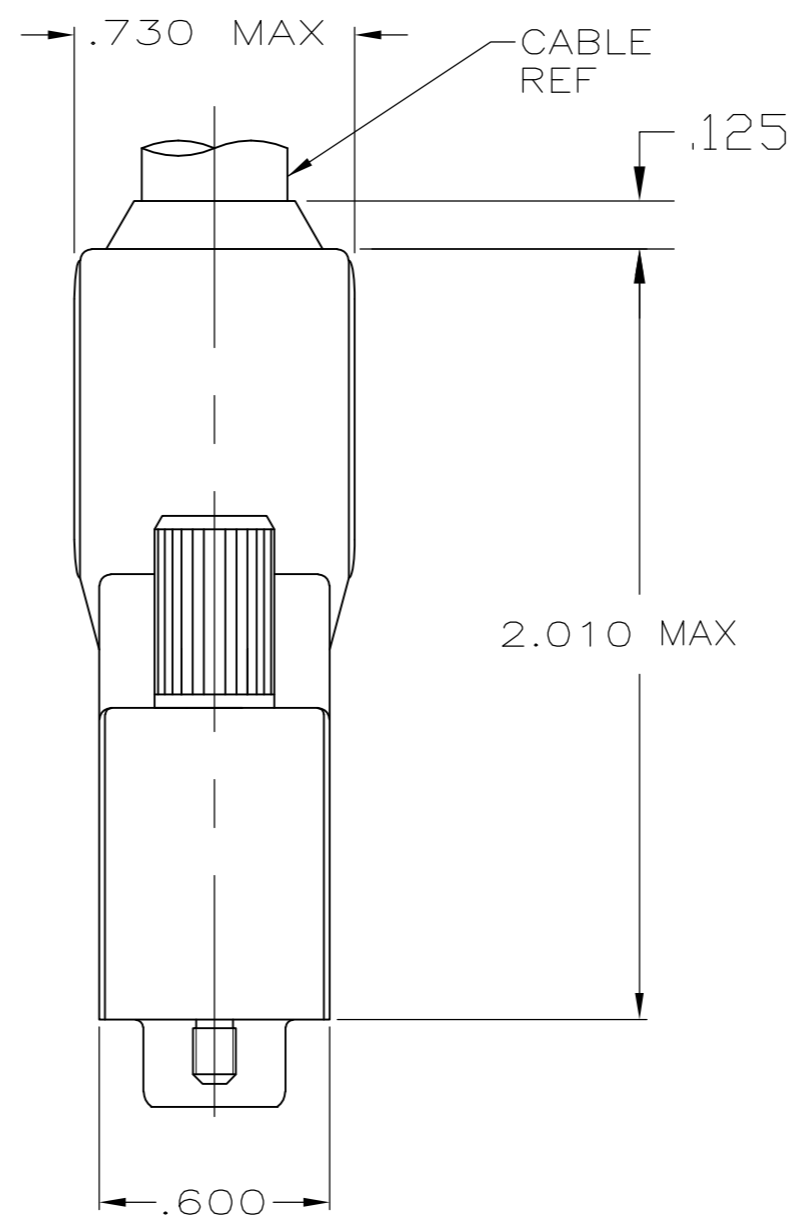
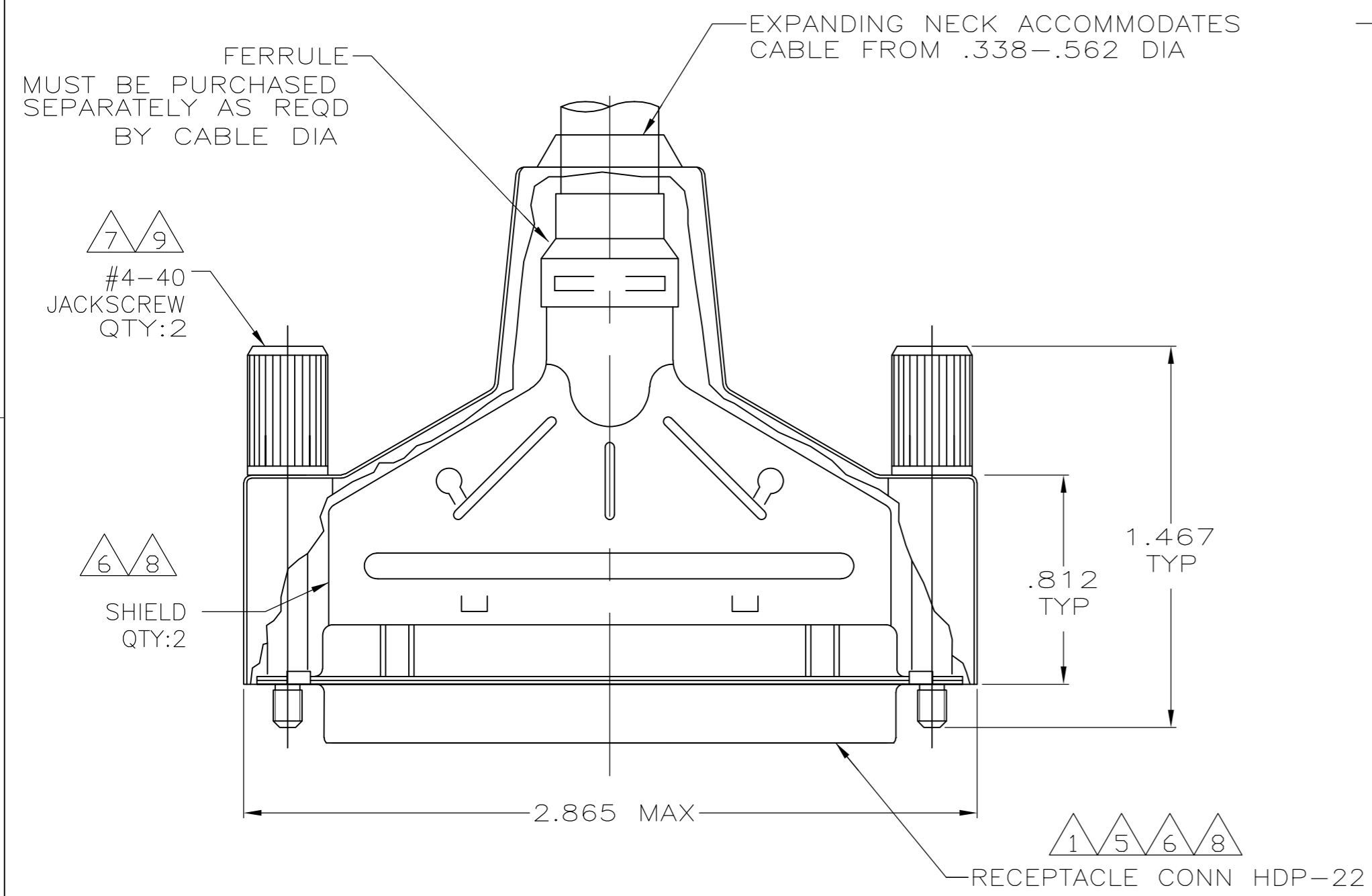


THIS DRAWING IS UNPUBLISHED. RELEASED FOR PUBLICATION
 © COPYRIGHT - By - ALL RIGHTS RESERVED.

LOC	DIST	REVISIONS			
P	LTR	DESCRIPTION	DATE	DWN	APVD
GP	00	B	REVISED PER ECO-11-006475	21OCT2011	CJV/CWR

- 1 RECEPTACLE ACCEPTS SIZE 22 DF SOCKET CONTACTS. CONTACTS MUST BE PURCHASED SEPARATELY.
- 2 ALL PARTS SHIPPED UNASSEMBLED.
- 3 COMPONENTS INDIVIDUALLY BULK PACKAGED.
- 4 ELASTOMER, STYRENE POLYOLEFIN OR PVC, COLOR BLACK.
- 5 FLAME RETARDANT GLASS FILLED, 94V-0 RATED, COLOR BLACK.
- 6 CARBON STEEL PER ASTM A109.
- 7 ZINC ALLOY.
- 8 .000200 MIN TIN PLATE OVER .000100 MIN COPPER UNDERPLATE.
- 9 ELECTRODEPOSITED POLYURETHANE, BLACK.



3	W/ LOGOS	5748642-1
PACKAGING	REMARKS	PART NUMBER

THIS DRAWING IS A CONTROLLED DOCUMENT.		DWN 12-21-04 L. VARELA - DOCK5	STE TE Connectivity	
DIMENSIONS: INCHES		CHK 12-21-04 J. GERACE		
TOLERANCES UNLESS OTHERWISE SPECIFIED:		APVD 12-21-04 M. WALMSLEY	NAME 6	
0 PLC ± -		PRODUCT SPEC	SIZE 4, 62 POSITION, AMPLIMITE, HDP-22	
1 PLC ± -		APPLICATION SPEC	SIZE	CAGE CODE
2 PLC ± -		114-40030	A2	00779
3 PLC ± .020		WEIGHT	DRAWING NO C=5748642	
4 PLC ± -		FINISH	RESTRICTED TO	
ANGLES ± -		4 5 6 7	-	
FINISH		8 9	SCALE 2:1 SHEET 1 of 1 REV B	
MATERIAL		CUSTOMER DRAWING		