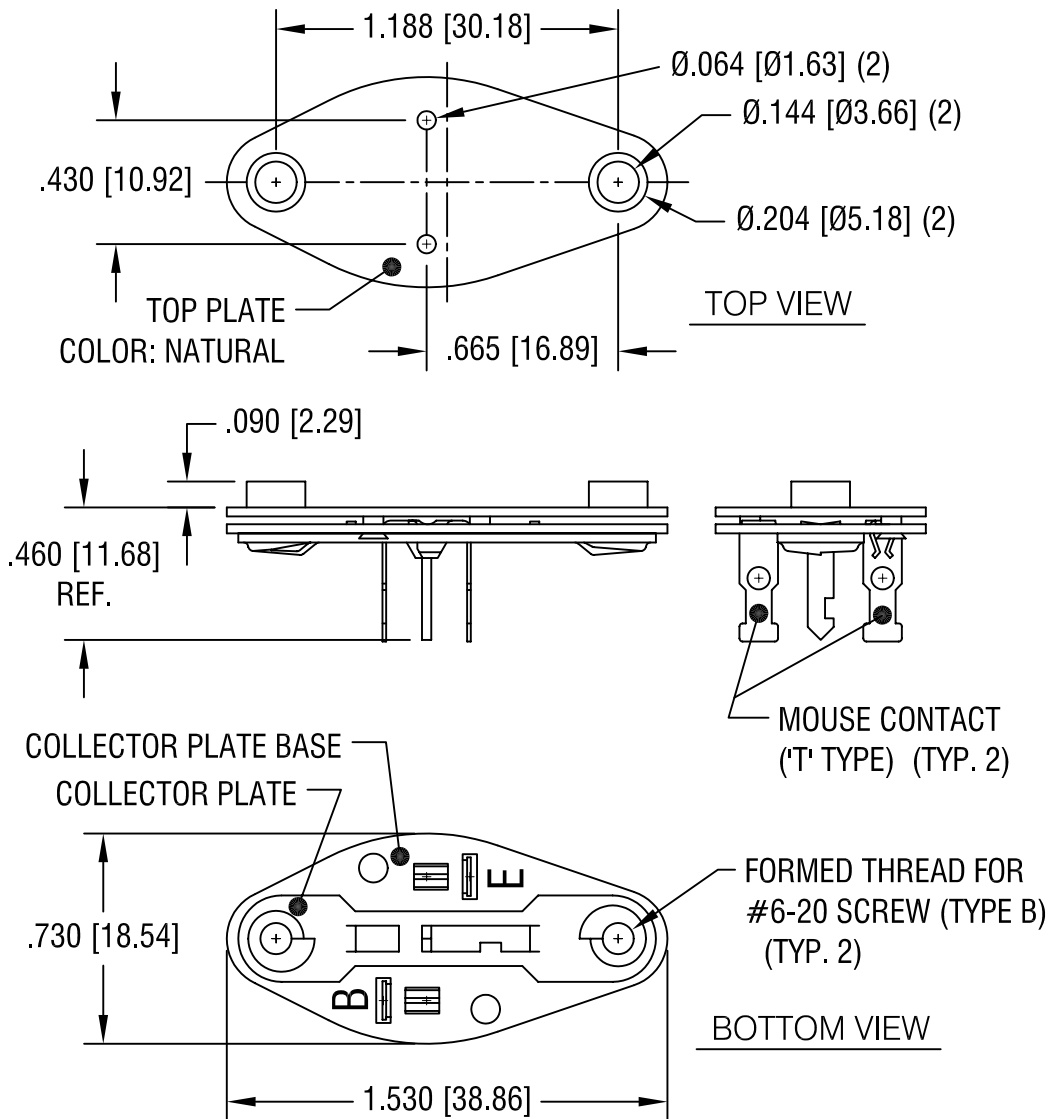


THIS DOCUMENT IS THE PROPERTY OF  
KEYSTONE ELECTRONICS CORP. AND  
SHALL NOT BE REPRODUCED, DISTRIBUTED  
OR USED AS A BASIS FOR MANUFACTURE  
WITHOUT PRIOR WRITTEN PERMISSION  
FROM KEYSTONE ELECTRONICS CORP.



**NOTES:**

TOP PLATE: COLOR - NATURAL  
MAT'L - NYLON 6/6 UL 94V-2

COLLECTOR PLATE BASE:  
MAT'L - .032 [0.81] TH'K PHENOLIC

COLLECTOR PLATE:  
MAT'L - .032 [0.81] TH'K STEEL  
FINISH - TIN PLATE

MOUSE CONTACT ('T' TYPE):  
MAT'L - .013 [0.33] TH'K BRASS  
FINISH - TIN PLATE

10.1.03	CHANGE AS PER ECN 03-071	A
---------	--------------------------	---

DATE	DESCRIPTION	REV.
------	-------------	------

<b>KEYSTONE ELECTRONICS CORP.</b>			
ASTORIA, N.Y. 11105-2017			
PART NAME			
TO-3 POWER TRANSISTOR SOCKET			
MATERIAL			
AS NOTED			
FINISH		DRN BY	DATE
AS NOTED		BOONE	4.26.82
		APPD	SCALE
		LN	1.5X
TOLERANCES	INCH	MM	CODE
DECIMAL	± .005	[± 0.15]	C
ANGULAR	± 1°		
UNLESS OTHERWISE SPECIFIED			
DWG NO.			<b>4601</b>