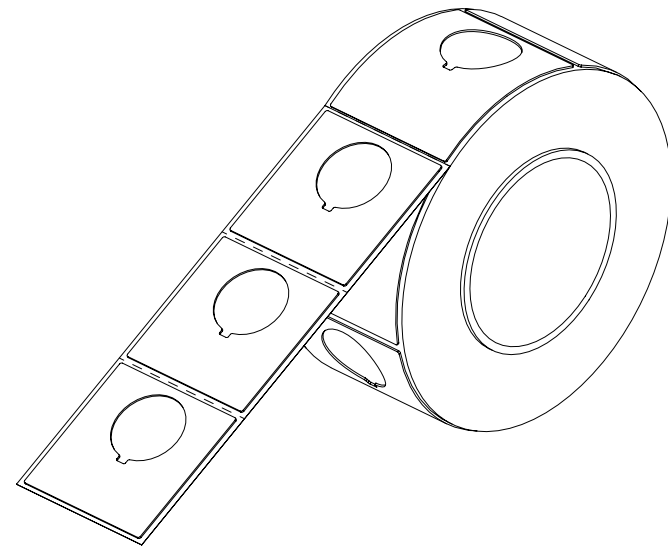
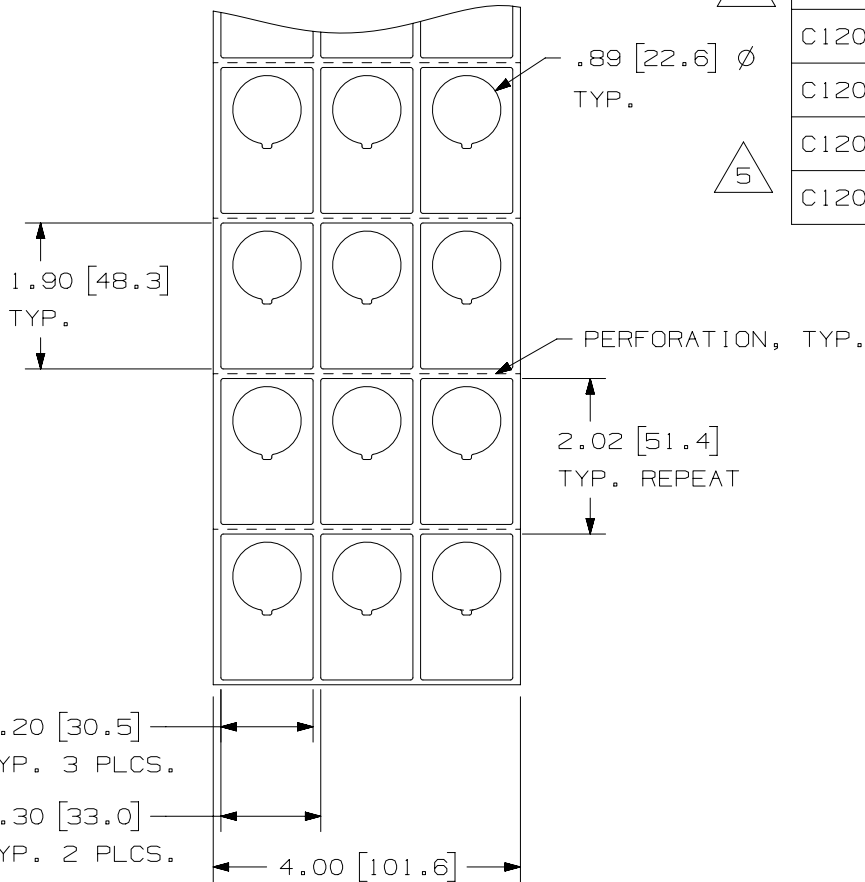


THIS COPY IS PROVIDED ON A RESTRICTED BASIS AND IS NOT TO BE USED IN ANY WAY DETRIMENTAL TO THE INTERESTS OF PANDUIT CORP.

NOTES:

1. DIMENSIONS IN [] ARE IN MILLIMETERS.

PANDUIT PART NO.	MATERIAL	FACE COLOR	PKG. QTY.	THICKNESS	PRODUCT TYPE
C120X190AOT-22	GMH3-A	BLACK	500	.030 +/- .010	POLYESTER/ FOAM COMPONENT LABEL
C120X190ABT-22		YELLOW			
C120X190APT-22	GMH3-W	WHITE			
C120X190AST-22	GMH3-A	GREEN			
C120X190AWT-22		RED			



REV	DATE	BY	CHK	APR	DESCRIPTION	ECN
5	4/17/15	RVU	SEWH	JHAC	GMH3-A WAS GMH3.	GAECN02593
4	1/9/13	RVU	DAPE	SEWH	ADD material column and ISO view. Update part numbers sequence list.	GAECN00512
3	5/3/10	RVU	DAPE		TOL. SHOULD BE .12, .062, NOT .1, .050.	6036
2	1/30/09	RVU	DAPE		REMOVE "REPEAT" FROM THE LABEL SIZE. ADD DIM. PERF. VERTICAL. REMOVE C120X190AMT-22.	5592
1	1/14/08	RVU			VOID	
0	9/5/08	RVU	PTR		DRAWING RELEASE.	5537

TITLE						
RAISED PANEL PUSH BUTTON LABELS C120X190A*T-22 CUSTOMER DRAWING						
ITEM REVISION NAME				100491BM/07		
DATASET FILE NAME				100491BM_DC_C10726/07F		
UNLESS OTHERWISE SPECIFIED, DIMENSIONAL TOLERANCES ARE: IN (mm)				PANDUIT TM SEE TABLE		
.x ± .12 [3.05] .xxx ± .025 [.635] .xx ± .062 [1.57] ANGLES ±						
DRAWING NUMBER:				C10726		
DRAWN BY	DATE	CHK	SCALE	DRAWING NUMBER:		
RVU	9/5/08	MSAD	NTS	SHT 1 OF 1		
				SIZE		
				A		

D101000DA/12