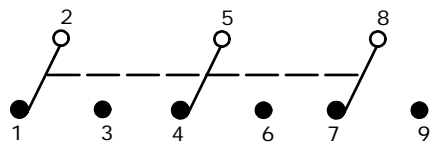
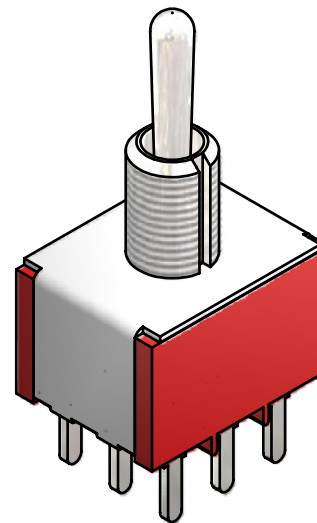
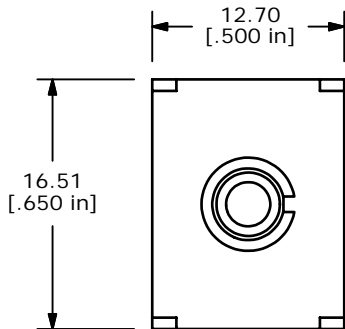


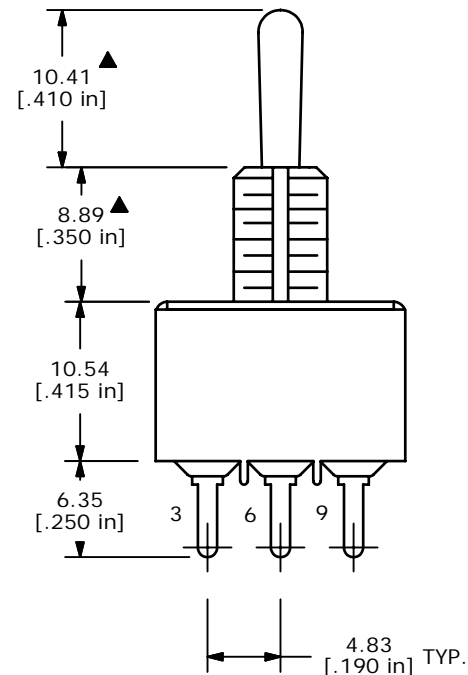
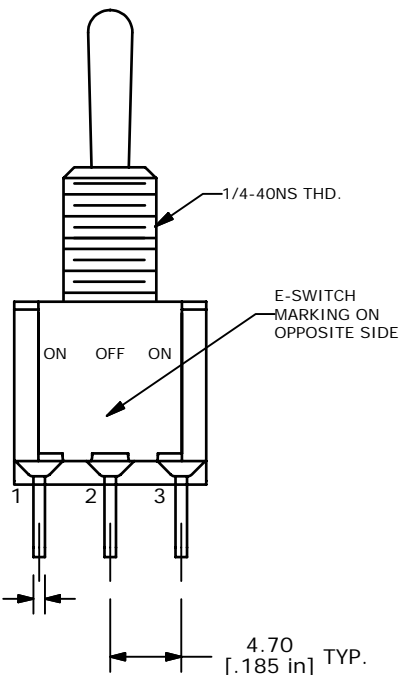
| SWITCH FUNCTION |        |               |
|-----------------|--------|---------------|
| POS. 1          | POS. 2 | POS. 3        |
|                 |        |               |
| ON              | OFF    | ON            |
| 2-3, 5-6, 8-9   | OPEN   | 2-1, 5-4, 8-7 |



CIRCUIT: 3PDT

NOTE:

1. ALL DIMENSIONS IN MM [INCH]
2. GENERAL TOLERANCE: X.X=±0.4  
X.XX=±0.25
3. TERMINAL NUMBERS FOR REF ONLY
- ▲ 4. PLATING MATERIAL: SILVER
5. RATING: 2 AMPS @ 250VAC; 5 AMPS @120VAC OR 28VDC
6. ELECTRIC LIFE: 40,000 make-and-break cycles at full load.
7. INSULATION RESISTANCE: 1,000 Mega-ohm min.
8. DIELECTRIC STRENGTH: 1,000 V RMS @sea level.
9. OPERATING TEMP.: -30°C to 85°C
10. ▲ DENOTES CRITICAL PARAMETER.
11. HARDWARE TO BE SHIPPED BULK  
T100000 HEX NUT-QTY 2  
T100015 LOCK RING-QTY 1  
T100011 LOCK WASHER-QTY 1
12. 2002/95/EC (RoHS) COMPLIANT.



**E-SWITCH®**

|     |        |                         |         |    |
|-----|--------|-------------------------|---------|----|
| A   | 16228  | RELEASED FOR PRODUCTION | 7/13/06 | RC |
| REV | PCR NO | DESCRIPTION             | DATE    | BY |

|                       |                |       |              |       |
|-----------------------|----------------|-------|--------------|-------|
| TITLE 1003P3T1B1M2QEH |                |       |              |       |
| SCALE 2:1             | DATE 7/13/2006 | DR RC | DWG ST133003 | REV A |

THE INFORMATION CONTAINED IN THIS DOCUMENT IS PROPRIETARY TO E-SWITCH AND IS NOT TO BE COPIED OR TRANSFERRED