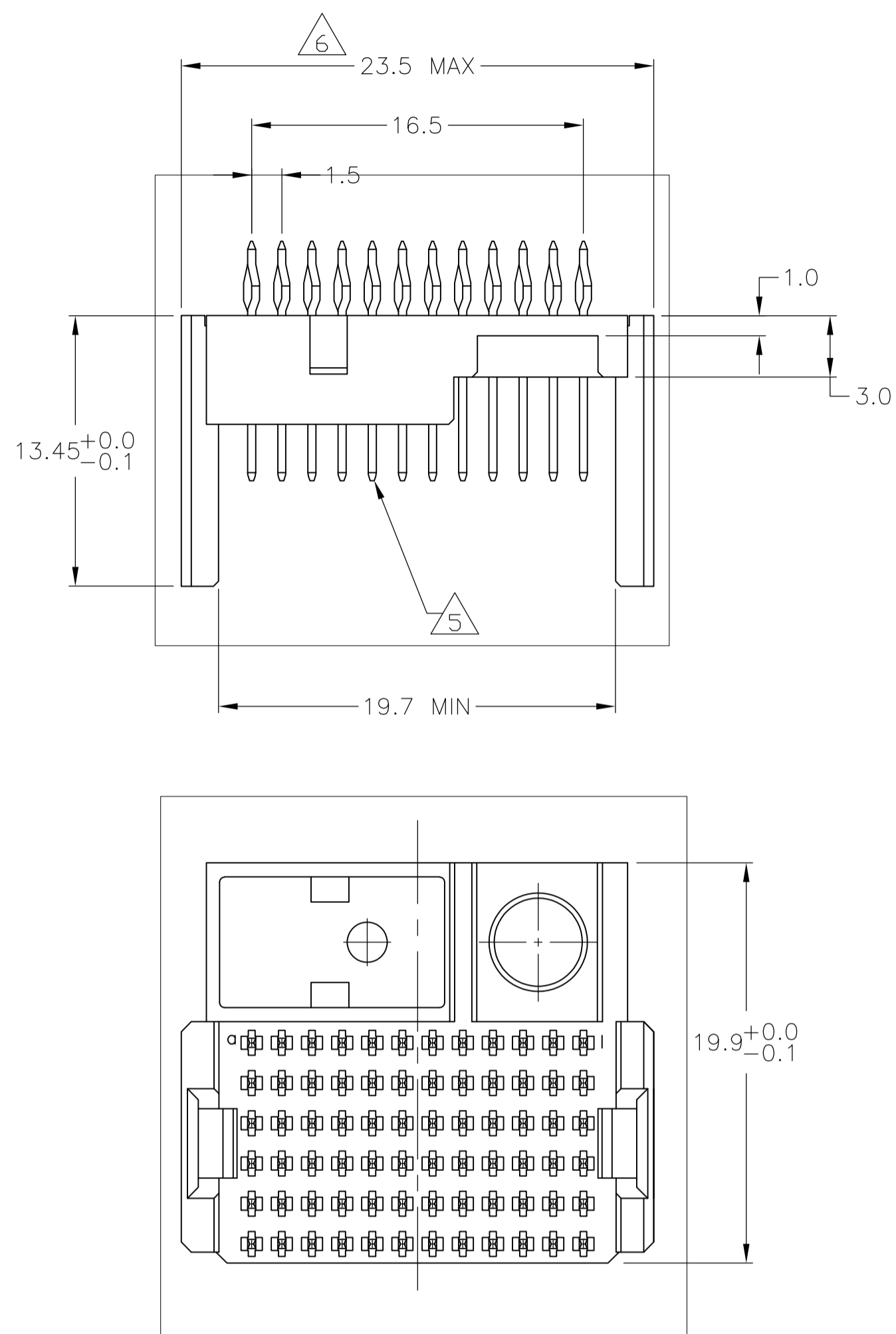
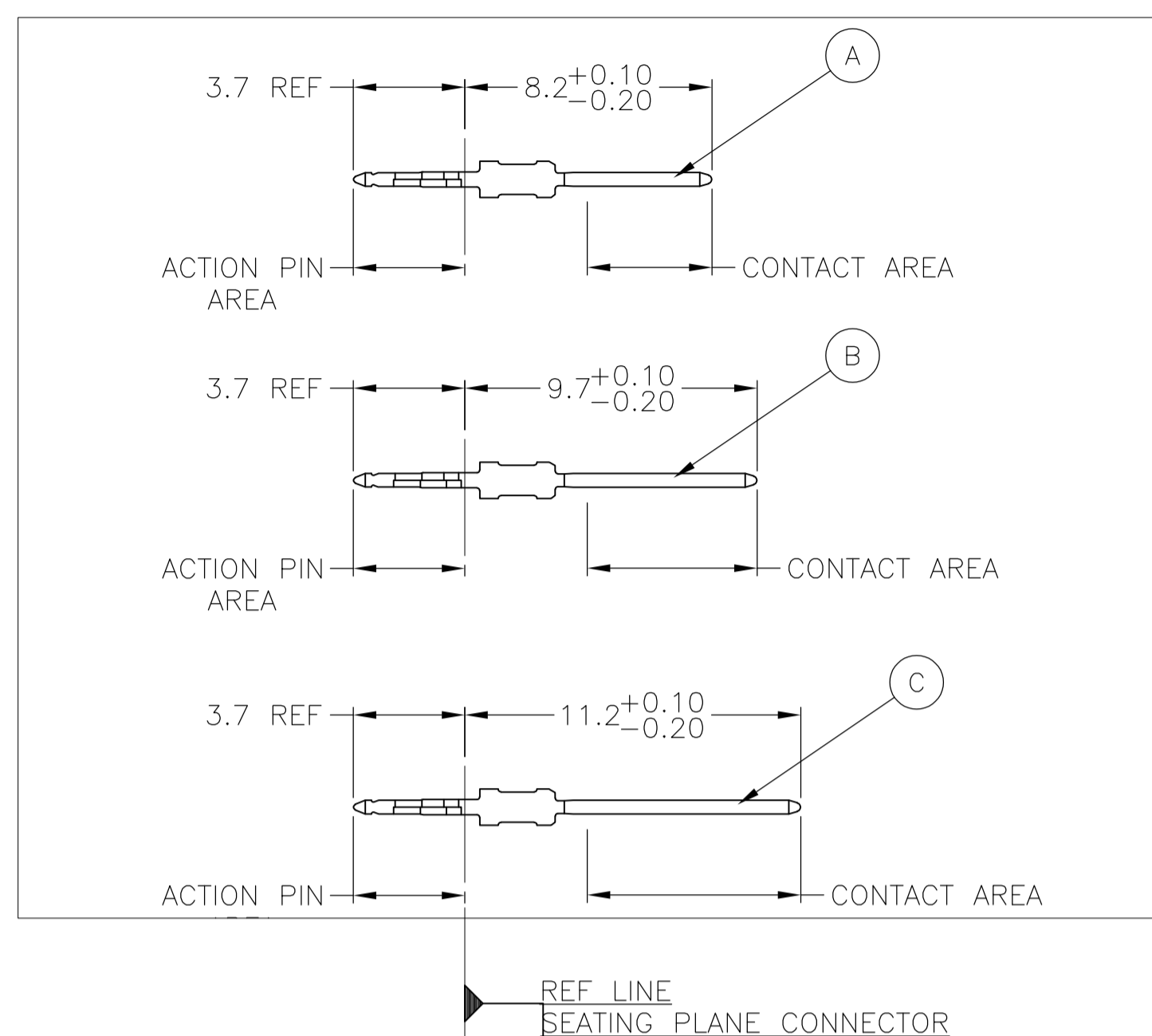


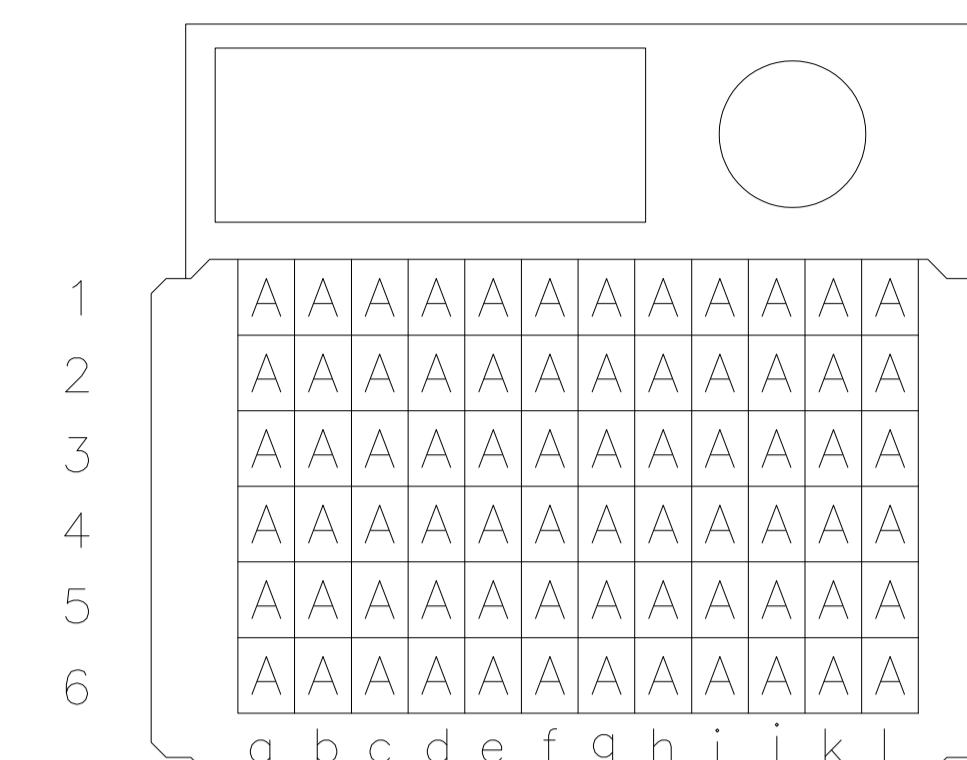
CONNECTOR ASSEMBLY EXAMPLARY LOADED 4



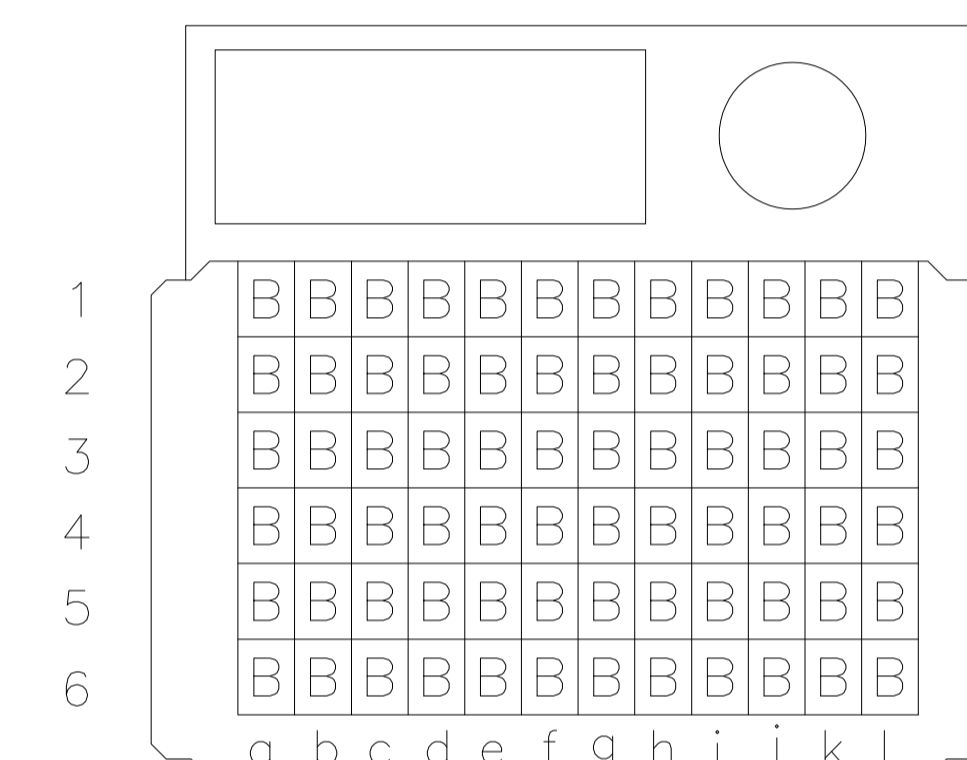
CONTACT DIMENSIONS SCALE 5:1



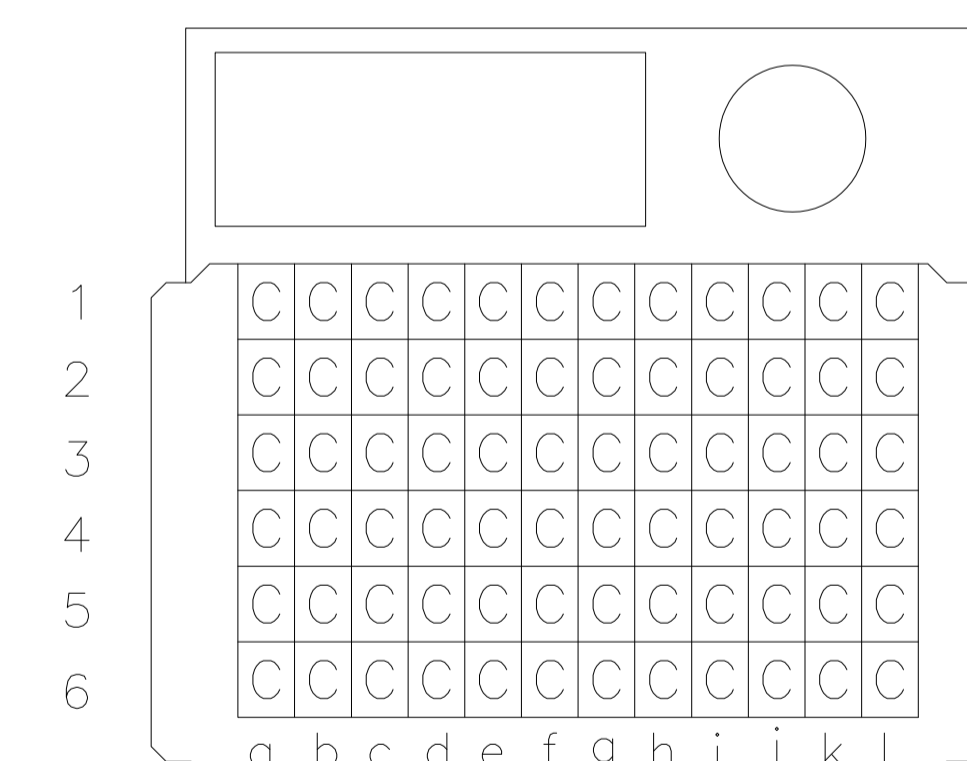
CONTACT LAYOUT



5120643-1 AS SHOWN



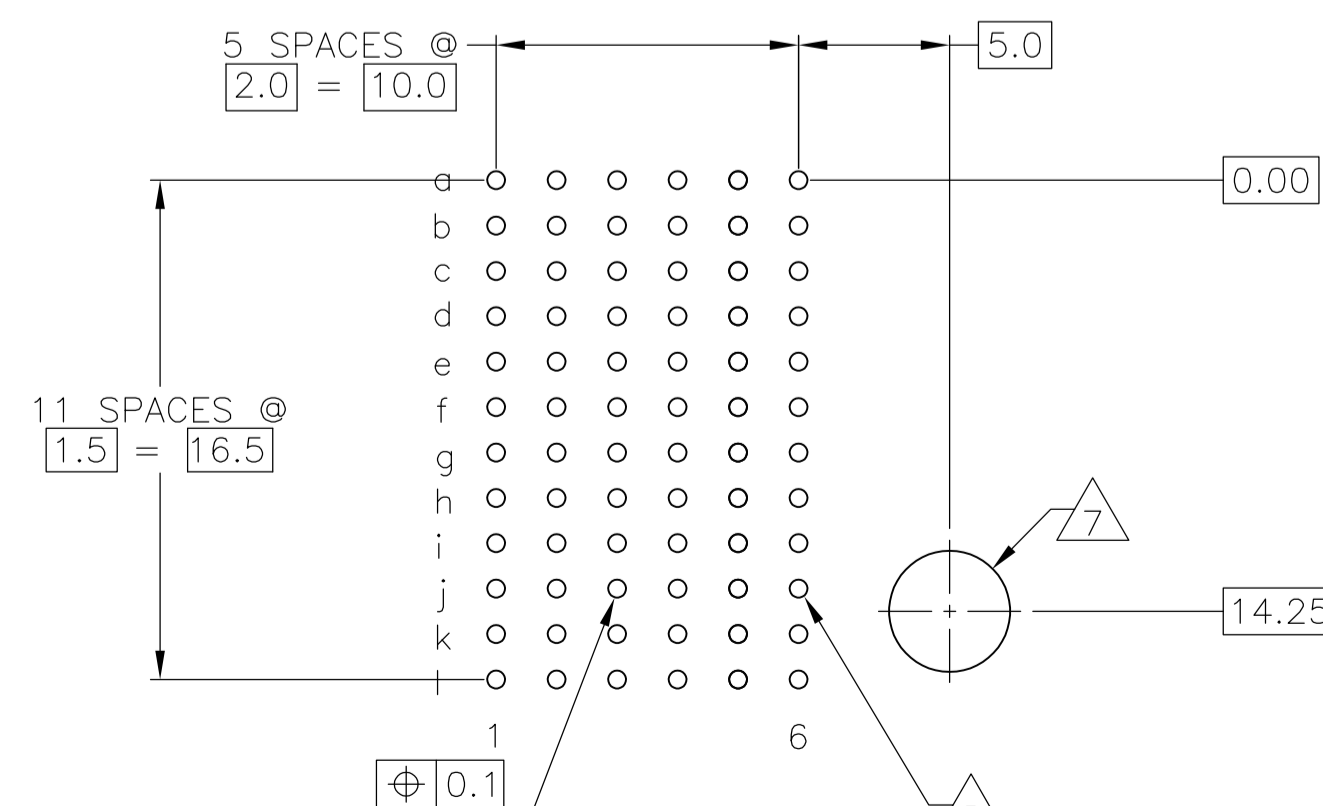
10 5120643-2 AS SHOWN



5120643-3 AS SHOWN

- 1 CONFORMS TO ALL TESTING ACCORDING TO IEC 61076-4-101 PERFORMANCE LEVEL 2.
- 2 MATERIAL:
CONTACT: PHOSPHOR BRONZE.
HOUSING: GLASS-FILLED POLYESTER.
- 3 PLATED-THROUGH HOLES AT 2x2mm SQUARE GRID PATTERN DEFINED BY CONTACT LAYOUT.
- 4 FOR ACTUAL PIN LOADING SEE "CONTACT LAYOUT".
- 5 FOR ACTUAL PIN DIMENSIONS SEE "CONTACT DIMENSIONS".
- 6 TO BE MEASURED AT BOTTOM OF SHROUD.
- 7 GUIDE PIN HOLE DIAMETER CLEARANCE DEFINED BY CHOICE OF GUIDE PIN.
- 8. KEY AND ALIGNMENT PIN ASSEMBLED BY END USER AT APPLICATION.
- 9 GENERAL PLATING SPECIFICATION: UNDERPLATING (ENTIRE CONTACT): 1.27µm MIN NICKEL AND ACTION PIN: 0.5µm MIN TIN. FOR PLATING OF MATING SURFACES SEE APPLICABLE SPECIFICATION REFERENCE FOR EACH DASH NUMBER.
- 10 OBSOLETE PARTS: OBSOLETE CIS STREAMLINING PER D.RENAUD/D.SINISI

RECOMMENDED PCB-HOLE LAYOUT COMPONENT SIDE SHOWN



PLATED THRU HOLES PARAMETERS REFERENCE APPLICATION SPECIFICATION

THIS DRAWING IS A CONTROLLED DOCUMENT.		DIN B. CARBO 02JUN05		Tyco Electronics Corporation Harrisburg, PA 17105-3608	
DIMENSIONS: mm		TOLERANCES UNLESS OTHERWISE SPECIFIED:		NAME: MALE ASSEMBLY, Z-PACK 2mm HM, RIGHT HAND, 12 ROW	
0-PLG ±		1-PLG ±0.1		PART NUMBER: 5120643-3	
2-PLG ±		3-PLG ±		OBSOLETE: -5120643-2-	
4-PLG ±		ANGLES ±		5120643-1	
MATERIAL 2		FINISH 1 9		RESTRICTED TO: -	
CUSTOMER DRAWING		SCALE 4:1		SHEET 1 OF 1	