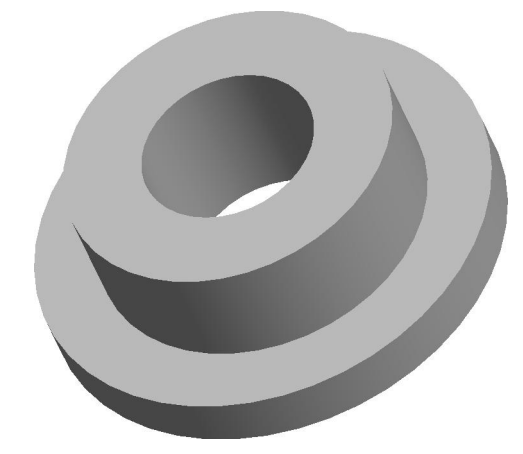
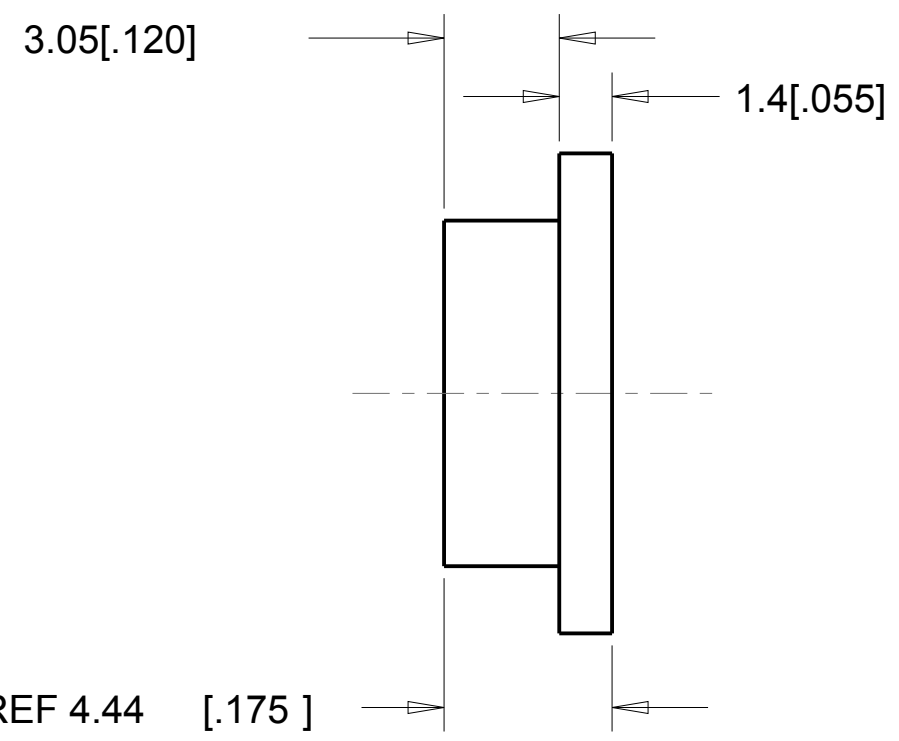
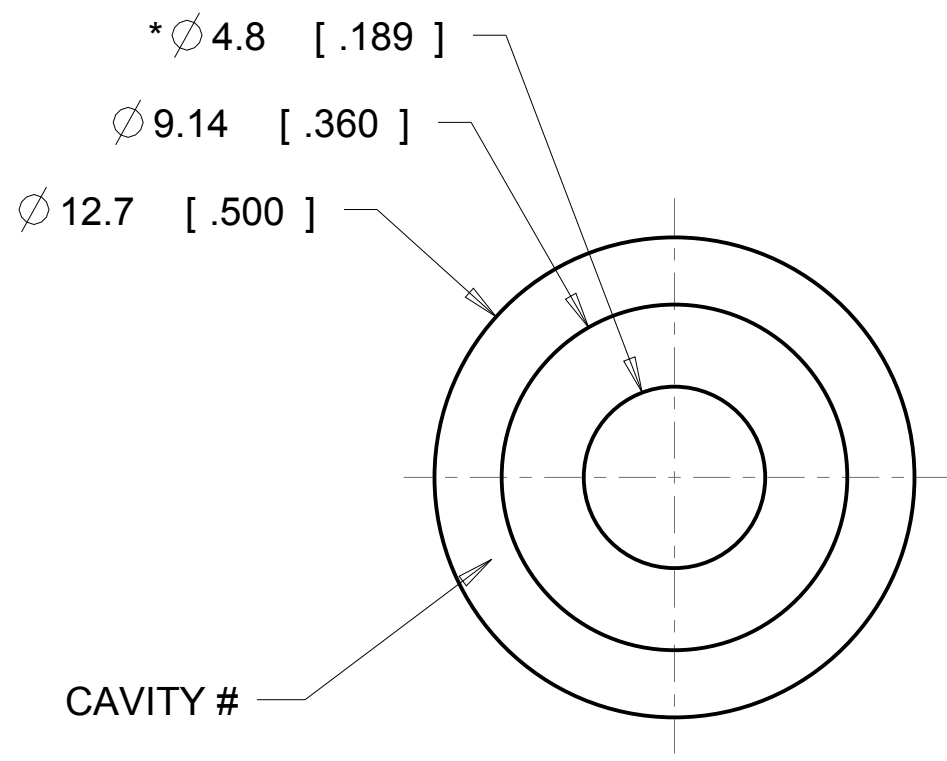




REVISIONS				
DRAWN	REV	DESCRIPTION	DATE	APPROVED
	00	ORIGINAL	10-26-98	DC
KP/TC	01	UPDATED FORMAT, NOTES, TOLERANCES, ADDED WEIGHT, CAVITY LOCATION AND -X TO NAMING CONVENTION. CHANGED .175 DIM TO REF.	9-8-11	MS



- 3. MAX DRAFT: 2°
- 2. CRITICAL DIMENSIONS SHALL HAVE Cpk VALUE >= 1.33 WITH ONGOING SPC DATA REQUIRED.
- 1. CRITICAL DIMENSIONS ARE MARKED WITH "**".

NOTES:

B-531-V2775	V-2775
B-531-V2750	V-2750
B-531-V2725	V-2725
B-531-V2599	V-2599
B-531-V2590	V-2590
B-531-V2575	V-2575
B-531-V2550	V-2550
B-531-V2525	V-2525
B-531-V2375	V-2375
B-531-V2350	V-2350
B-531-V2325	V-2325
B-531-8	C-8002
B-531-3	C-1100
B-531-2	C-1105
B-531-1	C-1002
PART NUMBER	MATERIAL

RANGE	TOL
0<DIM<=2 [.078]	± 0.15 [.006]
2 [.078]<DIM<=25 [.98]	± 0.25 [.010]
25 [.98]<DIM<=50 [1.969]	± 0.4 [.016]
50 [1.969]<DIM	± 0.6 [.024]

UNLESS OTHERWISE SPECIFIED UNITS ARE: MM [IN] TOLERANCE FOR ANGLES: ±0.0°	MATERIAL: SEE TABLE ON LEFT	AEARO TECHNOLOGIES LLC * a 3M company		
	ALLOWABLE FLASH: .12 MM [.005]	QUALITY CONTROL: MUST COMPLY WITH E-A-R SPECIALTY COMPOSITES SUPPLIER QUALITY MANUAL REQUIREMENTS	TITLE GROMMET - NON-RIBBED	
GATE: ±.25 MM [.010]	NOTES: ANY FEATURE NOT DIMENSIONED IN PRINT MUST BE VISIBLY PRESENT, UTILIZE 3D CAD FOR CREATION	SIZE B	DRAWING NO. B-531-X	PAGE NO. 1 OF 1
0.38 GRAM REF				

1

2

3

4

D

D

C

C

B

B

A

A