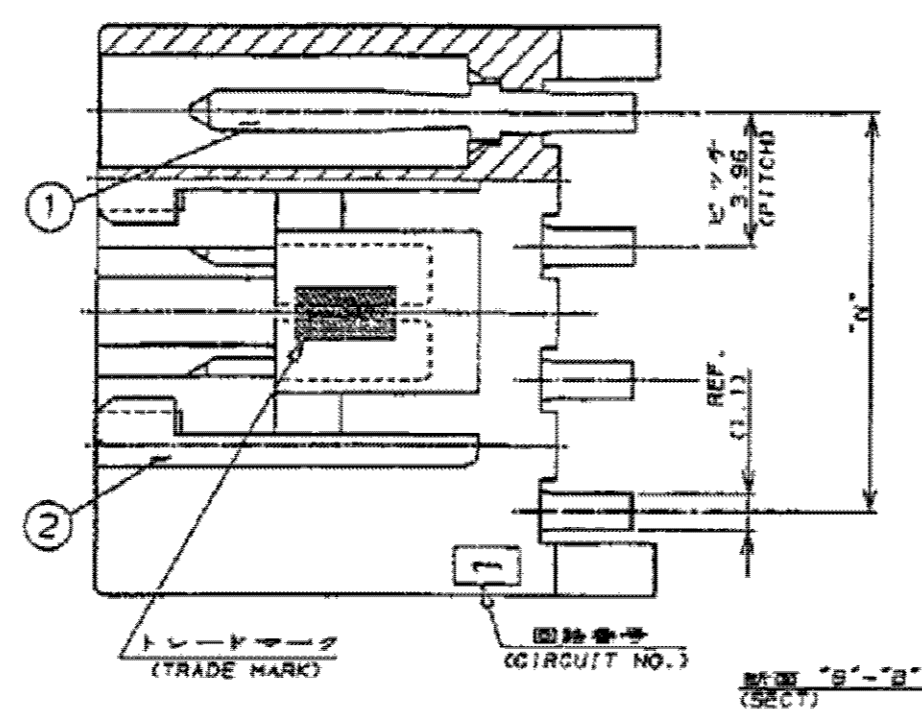
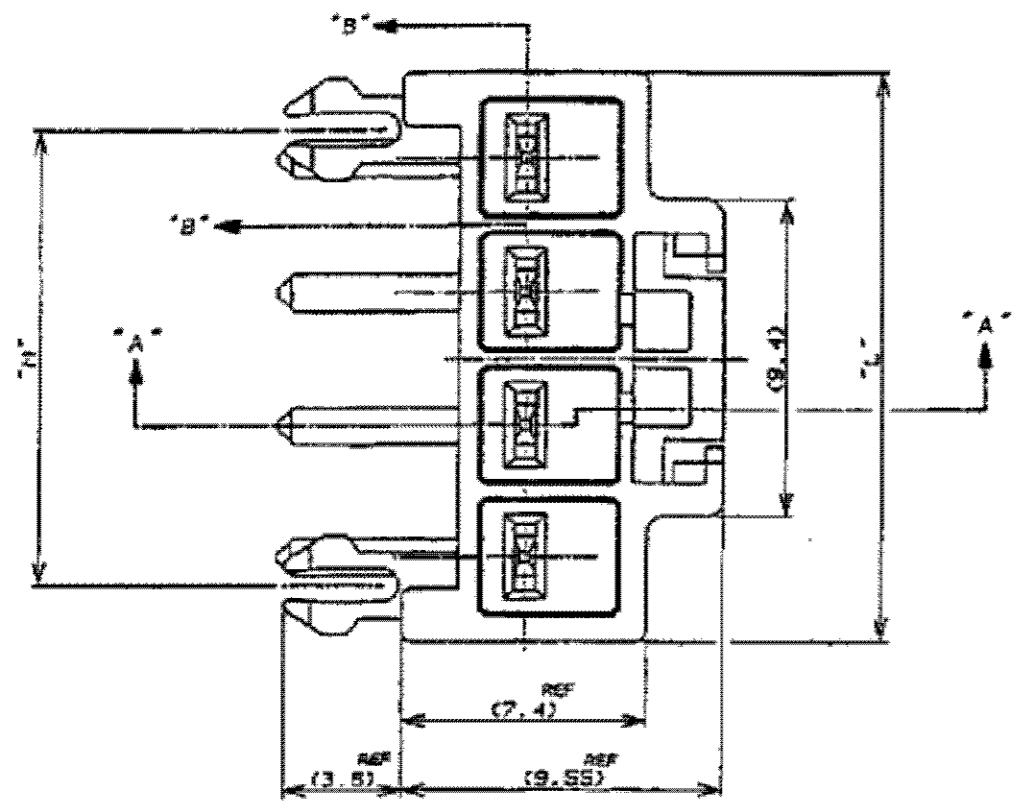


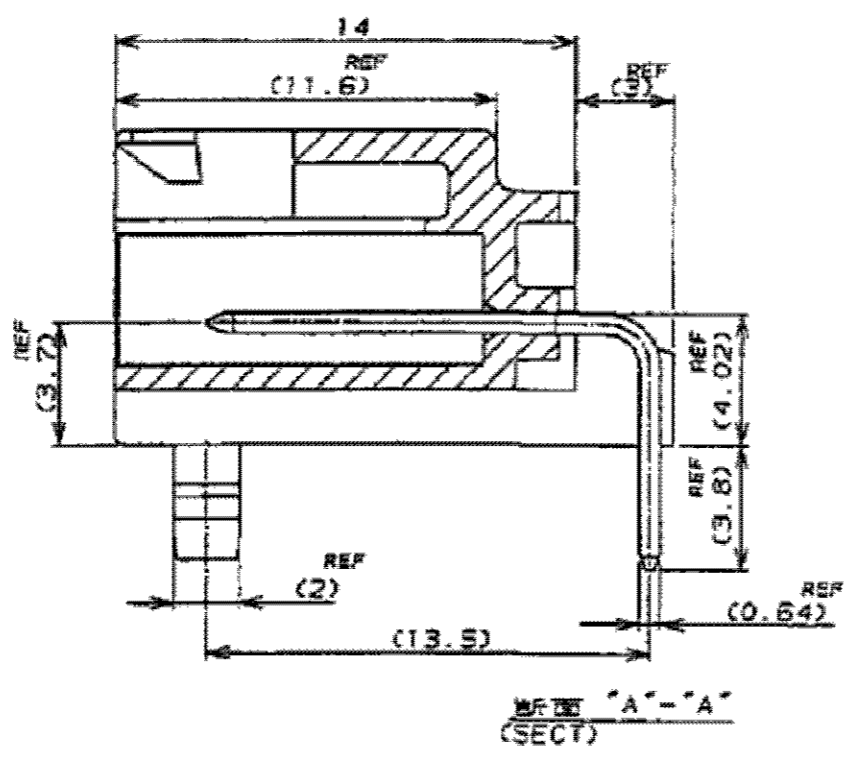
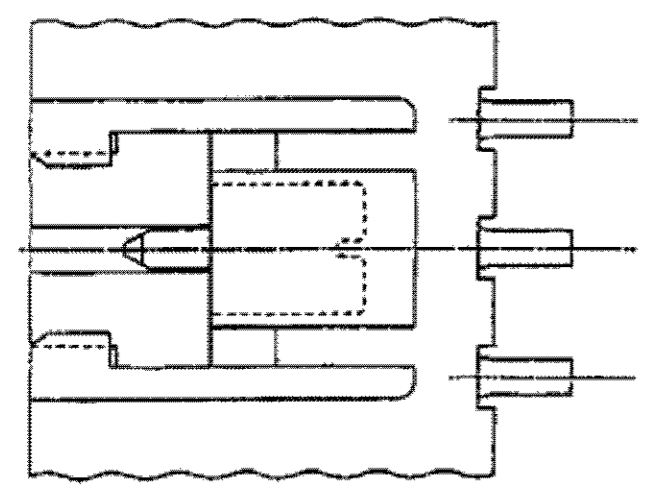
THIS DRAWING IS UNPUBLISHED. RELEASED FOR PUBLICATION
 © COPYRIGHT BY TYCO ELECTRONICS CORPORATION. ALL RIGHTS RESERVED.

LOC	DIST	REVISIONS					
J	-	P	LTR	DESCRIPTION	DATE	DWN	APVD
		F		REVISED ECR-08-005781	05MAR'08	J.S	S.M
		F1		REVISED PER ECO-10-000444	01FEB'10	KK	HMR

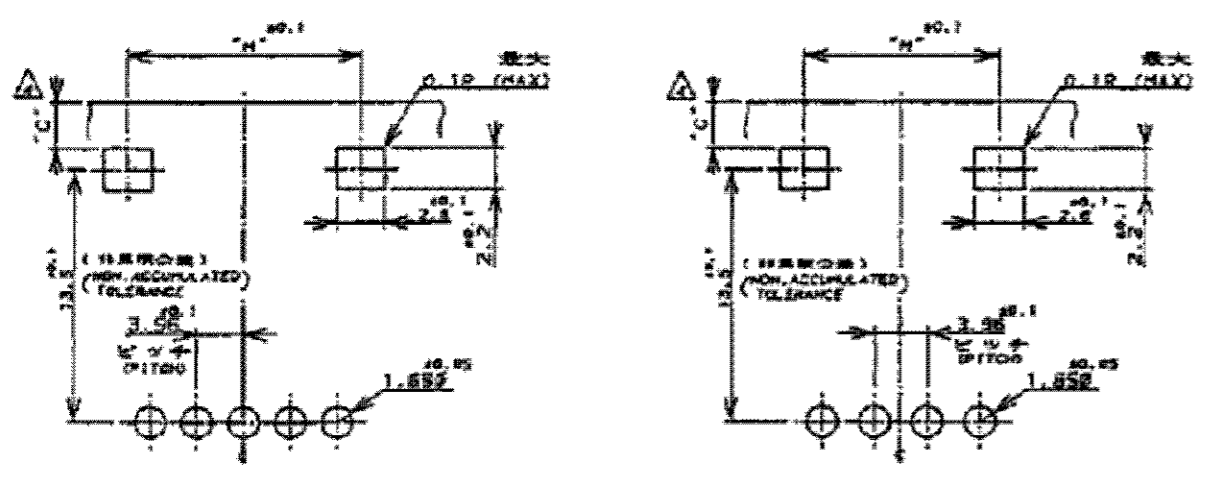


- 注:
 1. 適用製品規格 108-5302
 2. 5極ハウジングの回路NO.2と4のコンタクト2本抜き仕様
 3. かん合相手製品型番
 3.96MM ピッチ2極プラグハウジング:表2参照
 リセコンタクト: 175151-X (AWG#26-#22)
 : 175152-X (AWG#20-#16)
 △ C寸法は基板穴をパンチ加工する場合、
 基板にクラックが発生しない様、寸法設定してください。
 △ 4極ハウジングの回路NO.1と3のコンタクト2本抜き仕様
 △ 4極ハウジングの回路NO.2と4のコンタクト2本抜き仕様

- NOTES:
 1. PRODUCT SPEC 108-5302
 △ CIRCUIT NO.2 AND 4 ARE VACANT OF 5POS HOUSING
 3. MATING CONN. P/N
 3.96MM PITCH 2POS PLUG HSG: SEE TABLE 2
 REC CONTACT: 175151-X (AWG#26-#22)
 : 175152-X (AWG#20-#16)
 △ PLEASE DECIDE THE DIMENSION C SO THAT PREVENT CRACKING
 OF P.C.B
 △ CIRCUIT NO.1 AND 3 ARE VACANT OF 4POS HOUSING
 △ CIRCUIT NO.2 AND 4 ARE VACANT OF 4POS HOUSING
 △ OBSOLETE PARTS: OBSOLETE CIS STREAMLINING
 PER D.RENAUD/D.SINISI



178498のみ対象 (APPLIED P/N 178498 ONLY)



型番 178498 対象 (APPLIED P/N 178498) 型番 178497 対象 (APPLIED P/N 178497)
 178499 対象 (APPLIED P/N 178499)

表1 TABLE1

NO.	名称 (NAME)	材料 (MATERIAL)
①	タブ (TAB)	黄銅 錫めっき (BRASS TIN PLATED)
②	ヘッダーハウジング (HEADER HOUSING)	6/6ナイロンガラス強化(94V-0) (6/6 NYLON GLASS FILLED)

表2 TABLE 2

ヘッダーアセンブリP/N (HDR ASS'Y P/N)	極数 (POS.)	適合相手 P/N (MATING CONN. P/N)
178497	4	178481
178498	5	178482
178499	6	178483

基板レイアウト寸法 (P.C.B LAYOUT)
 適用基板厚 1.6 (APPLICABLE P.C.B THK 1.6)

寸法 (DIMENSION)	11.88	13.58	16.98	19.80	21.50	24.90	15.84	17.54	20.94	11.88	13.58	16.98	"N" "M" "L"	コネクタピッチ及び極数 (CONN.PITCH AND POS)	ハウジング色調 (COLOR)	型番 (P/N)
3.96MMピッチ4極 (3.96MM PITCH 4POS)	↑	↑	↑	↑	↑	↑	↑	↑	↑	↑	↑	↑	↑	3.96MMピッチ4極 (3.96MM PITCH 4POS)	自然色 (NATURAL)	0-178497-1
7.92MMピッチ2極 (7.92MM PITCH 2POS)	↑	↑	↑	↑	↑	↑	↑	↑	↑	↑	↑	↑	↑	7.92MMピッチ2極 (7.92MM PITCH 2POS)	青 (BLUE)	5-178497-6
	↑	↑	↑	↑	↑	↑	↑	↑	↑	↑	↑	↑	↑		赤 (RED)	6-178497-2
	↑	↑	↑	↑	↑	↑	↑	↑	↑	↑	↑	↑	↑		自然色 (NATURAL)	5-178497-1
	↑	↑	↑	↑	↑	↑	↑	↑	↑	↑	↑	↑	↑		黒 (BLACK)	178499-9
	↑	↑	↑	↑	↑	↑	↑	↑	↑	↑	↑	↑	↑		青 (BLUE)	178499-6
	↑	↑	↑	↑	↑	↑	↑	↑	↑	↑	↑	↑	↑		黄色 (YELLOW)	178499-4
	↑	↑	↑	↑	↑	↑	↑	↑	↑	↑	↑	↑	↑		赤 (RED)	178499-2
	↑	↑	↑	↑	↑	↑	↑	↑	↑	↑	↑	↑	↑		自然色 (NATURAL)	178499-1
	↑	↑	↑	↑	↑	↑	↑	↑	↑	↑	↑	↑	↑		黒 (BLACK)	3-178498-9
	↑	↑	↑	↑	↑	↑	↑	↑	↑	↑	↑	↑	↑		青 (BLUE)	3-178498-6
	↑	↑	↑	↑	↑	↑	↑	↑	↑	↑	↑	↑	↑		黄色 (YELLOW)	3-178498-4
	↑	↑	↑	↑	↑	↑	↑	↑	↑	↑	↑	↑	↑		赤 (RED)	3-178498-2
	↑	↑	↑	↑	↑	↑	↑	↑	↑	↑	↑	↑	↑		自然色 (NATURAL)	3-178498-1
	↑	↑	↑	↑	↑	↑	↑	↑	↑	↑	↑	↑	↑		黒 (BLACK)	178498-9
	↑	↑	↑	↑	↑	↑	↑	↑	↑	↑	↑	↑	↑		青 (BLUE)	178498-6
	↑	↑	↑	↑	↑	↑	↑	↑	↑	↑	↑	↑	↑		黄色 (YELLOW)	178498-4
	↑	↑	↑	↑	↑	↑	↑	↑	↑	↑	↑	↑	↑		赤 (RED)	178498-2
	↑	↑	↑	↑	↑	↑	↑	↑	↑	↑	↑	↑	↑		自然色 (NATURAL)	178498-1
	↑	↑	↑	↑	↑	↑	↑	↑	↑	↑	↑	↑	↑		黒 (BLACK)	178498-9
	↑	↑	↑	↑	↑	↑	↑	↑	↑	↑	↑	↑	↑		青 (BLUE)	178498-6
	↑	↑	↑	↑	↑	↑	↑	↑	↑	↑	↑	↑	↑		黄色 (YELLOW)	178498-4
	↑	↑	↑	↑	↑	↑	↑	↑	↑	↑	↑	↑	↑		赤 (RED)	178498-2
	↑	↑	↑	↑	↑	↑	↑	↑	↑	↑	↑	↑	↑		自然色 (NATURAL)	178498-1
	↑	↑	↑	↑	↑	↑	↑	↑	↑	↑	↑	↑	↑		黒 (BLACK)	178498-9
	↑	↑	↑	↑	↑	↑	↑	↑	↑	↑	↑	↑	↑		青 (BLUE)	178498-6
	↑	↑	↑	↑	↑	↑	↑	↑	↑	↑	↑	↑	↑		黄色 (YELLOW)	178498-4
	↑	↑	↑	↑	↑	↑	↑	↑	↑	↑	↑	↑	↑		赤 (RED)	178498-2
	↑	↑	↑	↑	↑	↑	↑	↑	↑	↑	↑	↑	↑		自然色 (NATURAL)	178498-1
	↑	↑	↑	↑	↑	↑	↑	↑	↑	↑	↑	↑	↑		黒 (BLACK)	178498-9
	↑	↑	↑	↑	↑	↑	↑	↑	↑	↑	↑	↑	↑		青 (BLUE)	178498-6
	↑	↑	↑	↑	↑	↑	↑	↑	↑	↑	↑	↑	↑		黄色 (YELLOW)	178498-4
	↑	↑	↑	↑	↑	↑	↑	↑	↑	↑	↑	↑	↑		赤 (RED)	178498-2
	↑	↑	↑	↑	↑	↑	↑	↑	↑	↑	↑	↑	↑		自然色 (NATURAL)	178498-1

THIS DRAWING IS A CONTROLLED DOCUMENT. DWN Y.NARISAWA 08MAR'91
 CHK N.ONOUE 13MAR'91
 APVD Y.FUJITA 13MAR'91
 PRODUCT SPEC 製品規格
 APPLICATION SPEC 取付適用規格
 SEE NOTE 1

TOLERANCES UNLESS OTHERWISE SPECIFIED: 一般公差
 10以下 ± 0.2
 10*を超え30以下 ± 0.25
 30*を超え100以下 ± 0.3
 ANGLES ± 3°

FINISH 仕上
 SEE TABLE 1

WEIGHT

SCALE 1:1 SHEET 1 OF 1 REV F1

Customer Drawing

TYCO Electronics
 Tyco Electronics Corporation
 Kawasaki, Japan

AMP UP CONN. 3.96MM PITCH 4-6POS
 TAB HEADER ASSY (H TYPE)

SIZE A2 CAGE CODE 00779 DRAWING NO. 178497
 RESTRICTED TO