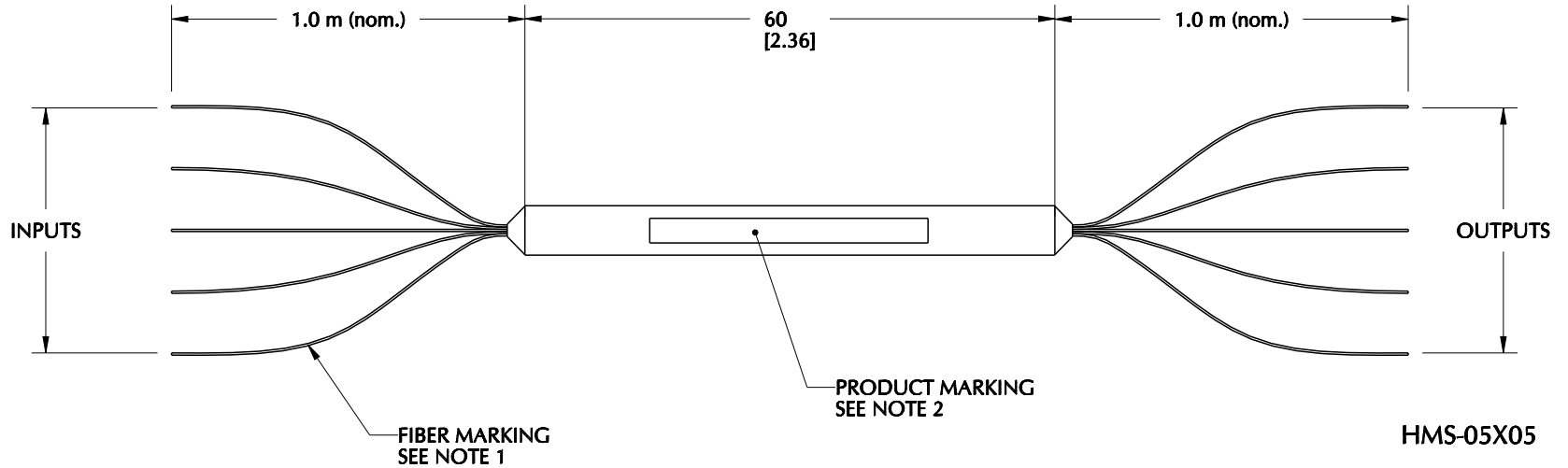


Ø 5,6  
[0.22]



**NOTES:**

1. EACH FIBER WILL BE MARKED IN BLACK ACCORDING TO ITS PORT ID.  
 - SHORT MARK, APPROXIMATELY 5.0 mm LONG, REPRESENTS AS '1'.  
 - LONG MARK, APPROXIMATELY 10.0 mm LONG, REPRESENTS AS '5'.  
 FOR EXAMPLE; GROUP OF TWO SHORT MARKS REPRESENTS PORT ID NUMBER '2',  
 GROUP OF ONE LONG MARK AND THREE SHORT MARKS REPRESENTS PORT ID NUMBER '8'.  
 THE FIBER MARKING IS APPLYING TO BOTH INPUTS AND OUTPUTS.
2. UNLESS OTHERWISE SPECIFIED, COUPLER MARKING TO BE LASER-MARKED WITH 'CANSTAR', CANSTAR PART DESCRIPTOR, AND SERIAL NUMBER.
3. COUPLER CONFIGURATION AVAILABLE FROM 1 X 3 UP TO 8 X 8.
4. SEE SHEET 2 FOR PART NUMBER ORDERING INFORMATION,.
5. SEE SHEET 3 FOR CANSTAR PART DESCRIPTORS.
6. SEE SHEET 4, TABLE A FOR OPTICAL PERFORMANCE SPECIFICATIONS. THE TABLE SHOWS A REPRESENTATIVE SUBSET OF A AVAILABLE CONFIGURATIONS. PLEASE CONTACT THE MANUFACTURER FOR CONFIGURATIONS THAT ARE NOT LISTED IN THE TABLE.
7. SEE SHEET 5, TABLE B, FOR CONNECTORIZED COUPLER SPECIFICATIONS.
8. CONTACT US FOR COUPLERS WITH CUSTOMER SPECIALTY FIBERS, OR WITH CUSTOMER SPECS.

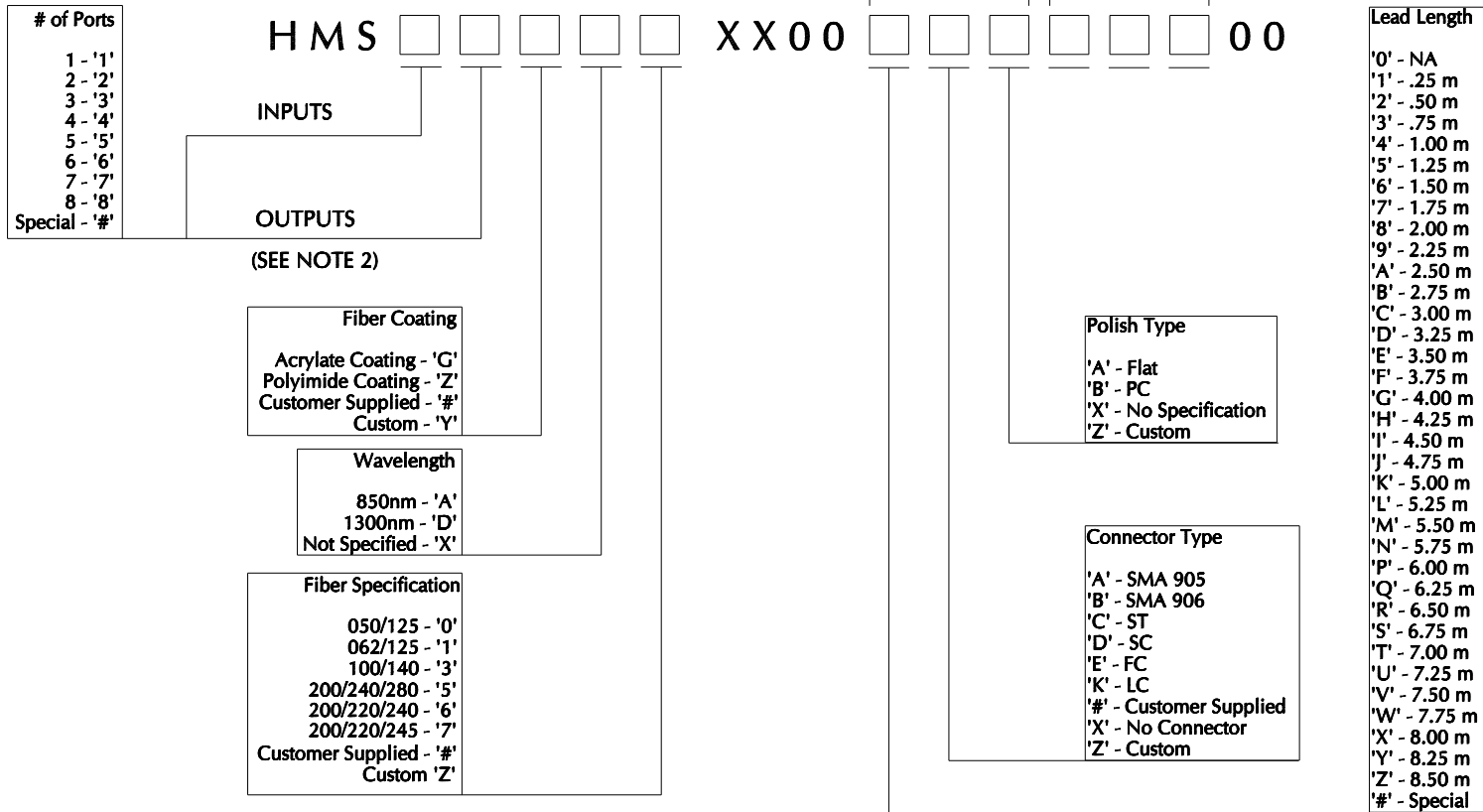
STANDARD SPECIFICATION	
COUPLING	TESTED UNDER FULLY FILLED LAUNCH CONDITIONS
WAVELENGTH	600nm TO 1600nm, TESTED @ 850nm OR 1300nm AS SPECIFIED
DIRECTIVITY	> = 40dB @ 850nm (APPLICABLE TO ASYMMETRIC CONFIGURATION ONLY)
THERMAL STABILITY	< = 0.002dB/1° C OVER -40° C TO +85° C (NON-CONNECTORIZED)
LEAD TYPE	BARE, ACRYLATE OR POLYIMIDE COATED
PACKAGING STYLE	T304 STAINLESS STEEL TUBE

spec ref	dr asir 2012/06/08			projection 	MM [INCH]	size	A4	scale	1.250			
tolerance std	TOLERANCES UNLESS OTHERWISE SPECIFIED					eng asir 2012/07/04	ecn no	ELX-S-012109-1				
								chr -	rel level	Released		
appr John Wang 2012/07/04	product family			product family		rel level	Released					
surface ✓	linear	0.X	±0.3		title	COUPLER, MXN, MULTIMODE 'MS' PACKAGE			dwg no	HMS-MXN01	rev	B
		0.XX	±0.05									
		0.XXX	±									
angular	0°	±2°	www.fci.com	cat. no.	Product - Customer Drw			sheet 1 of 5				



Copyright FCI.

# PART NUMBER ORDERING INFORMATION



**NOTES:**

1. ORDERING OPTIONS OF LEAD LENGTH FOR OUTPUTS ARE IDENTICAL TO INPUTS.
2. ORDERING OPTIONS OF CHANNEL CONFIGURATION FOR INPUTS AND OUTPUTS ARE IDENTICAL.
3. NOMINAL LEAD LENGTH: 1.0 m

spec ref		dr	asir	2012/06/08	projection 	MM [INCH]	size	A4	scale	N/A			
tolerance std		eng	asir	2012/07/04			ecn no	ELX-S-012109-1					
TOLERANCES UNLESS OTHERWISE SPECIFIED		chr	-	-			rel level	Released					
surface	linear	0.X	±0.3		FCj	title	COUPLER, MXN, MULTIMODE 'MS' PACKAGE			dwg no	HMS-MXN01	rev	B
		0.XX	±0.05										
		0.XXX	±										
	angular	0°	±2°		www.fci.com	cat. no.	Product - Customer Drw			sheet 2 of 5			



CANSTAR PART DESCRIPTOR

HMS -   X   -    /    - XX

# of Inputs  
 One - '01'  
 Two - '02'  
 .  
 .  
 .  
 .  
 Eight - '08'

# of Outputs  
 One - '01'  
 Two - '02'  
 .  
 .  
 .  
 .  
 Eight - '08'

Core Diameter  
 50um - '050'  
 62.5um - '062'  
 100um - '100'

Cladding Diameter (um)  
 125 um - '125'  
 140 um - '140'

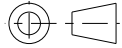



Tested Wavelength  
 850nm (Default) - 'NONE'  
 1300nm - 'D'



Copyright FCI.

spec ref		dr asir 2012/06/08		projection 	MM [INCH]	size A4	scale N/A
tolerance std	TOLERANCES UNLESS OTHERWISE SPECIFIED					ecn no ELX-S-012109-1	
						rel level Released	
surface <input checked="" type="checkbox"/>	linear	0.X	±0.3	title COUPLER, MXN, MULTIMODE 'MS' PACKAGE	dwg no HMS-MXN01	rev B	
		0.XX	±0.05				
		0.XXX	±				
	angular	0°	±2°	www.fci.com	cat. no.	Product - Customer Drw	sheet 3 of 5

TABLE A				
PART DESCRIPTOR	WAVELENGTH (nm)	COUPLING RATIO (%)	MAXIMUM INSERTION LOSS (dB)	MAXIMUM LOSS SPREAD (dB)
HMS-01X03-050/125-XX	850	33.3	5.8	0.8
HMS-03X03-050/125-XX	850	33.3	5.8	0.8
HMS-01X04-050/125-XX	850	25.0	7.5	1.0
HMS-02X04-050/125-XX	850	25.0	7.5	1.0
HMS-04X04-050/125-XX	850	25.0	7.5	1.0
HMS-01X06-050/125-XX	850	16.6	9.0	1.0
HMS-06X06-050/125-XX	850	16.6	9.0	1.0
HMS-01X08-050/125-XX	850	12.5	11.0	1.5
HMS-04X08-050/125-XX	850	12.5	11.0	1.5
HMS-08X08-050/125-XX	850	12.5	11.0	1.5
HMS-01X03-062/125-XX	850	33.3	5.8	0.8
HMS-03X03-062/125-XX	850	33.3	5.8	0.8
HMS-01X04-062/125-XX	850	25.0	7.5	1.0
HMS-02X04-062/125-XX	850	25.0	7.5	1.0
HMS-04X04-062/125-XX	850	25.0	7.5	1.0
HMS-01X06-062/125-XX	850	16.6	9.0	1.0
HMS-06X06-062/125-XX	850	16.6	9.0	1.0
HMS-01X08-062/125-XX	850	12.5	11.0	1.5
HMS-04X08-062/125-XX	850	12.5	11.0	1.5
HMS-08X08-062/125-XX	850	12.5	11.0	1.5
HMS-01X03-100/140-XX	850	33.3	5.8	0.8
HMS-03X03-100/140-XX	850	33.3	5.8	0.8
HMS-01X04-100/140-XX	850	25.0	7.5	1.0
HMS-02X04-100/140-XX	850	25.0	7.5	1.0
HMS-04X04-100/140-XX	850	25.0	7.5	1.0
HMS-01X06-100/140-XX	850	16.6	9.0	1.0
HMS-06X06-100/140-XX	850	16.6	9.0	1.0
HMS-01X08-100/140-XX	850	12.5	11.0	1.5
HMS-04X08-100/140-XX	850	12.5	11.0	1.5
HMS-08X08-100/140-XX	850	12.5	11.0	1.5

spec ref	dr asir 2012/06/08					size A4	scale N/A
tolerance std	TOLERANCES UNLESS OTHERWISE SPECIFIED					ecn no ELX-S-012109-1	
						rel level Released	
surface 	linear	0.X ±0.3		title COUPLER, MXN, MULTIMODE 'MS' PACKAGE	dwg no HMS-MXN01	rev B	
		0.XX ±0.05					
	angular	0° ±2°					
www.fci.com			cat. no.	Product - Customer Drw		sheet 4 of 5	



Copyright FCI.

TABLE B			
CONNECTOR TYPE	POLISH TYPE	INSERTION LOSS / CONNECTOR (dB)	BACK REFLECTION (dB)
ST	FLAT	< = 0.5	Not Specified
	PC	< = 0.35	Please contact manufacturer for details
FC	FLAT	< = 0.5	Not Specified
	PC	< = 0.35	Please contact manufacturer for details
SC	FLAT	< = 0.5	Not Specified
	PC	< = 0.35	Please contact manufacturer for details
LC	FLAT	< = 0.5	Not Specified
	PC	< = 0.35	Please contact manufacturer for details
SMA 905	FLAT	< = 1.0	Not Specified
SMA 906	FLAT	< = 1.0	Not Specified

NOTES:

- PLEASE REFER TO COUPLER SPECIFICATION FOR INSERTION LOSS VALUES, AND ADD CONNECTOR INSERTION LOSS FROM TABLE.
- LEAD LENGTH TOLERANCE: +10cm / -0cm OF NOMINAL LENGTH.
- TEMPERATURE RANGE: -20° C TO +70° C

spec ref		dr asir 2012/06/08		projection 	MM [INCH]	size A4	scale N/A
tolerance std	TOLERANCES UNLESS OTHERWISE SPECIFIED					eng asir 2012/07/04	ecn no ELX-S-012109-1
						chr -	
surface <input checked="" type="checkbox"/>		appr John Wang 2012/07/04		product family		rel level Released	
linear	0.X	±0.3		title COUPLER, MXN, MULTIMODE 'MS' PACKAGE	dwg no HMS-MXN01	rev B	
	0.XX	±0.05					
	0.XXX	±					
angular	0°	±2°	www.fci.com	cat. no.	Product - Customer Drw	sheet 5 of 5	



Copyright FCI.