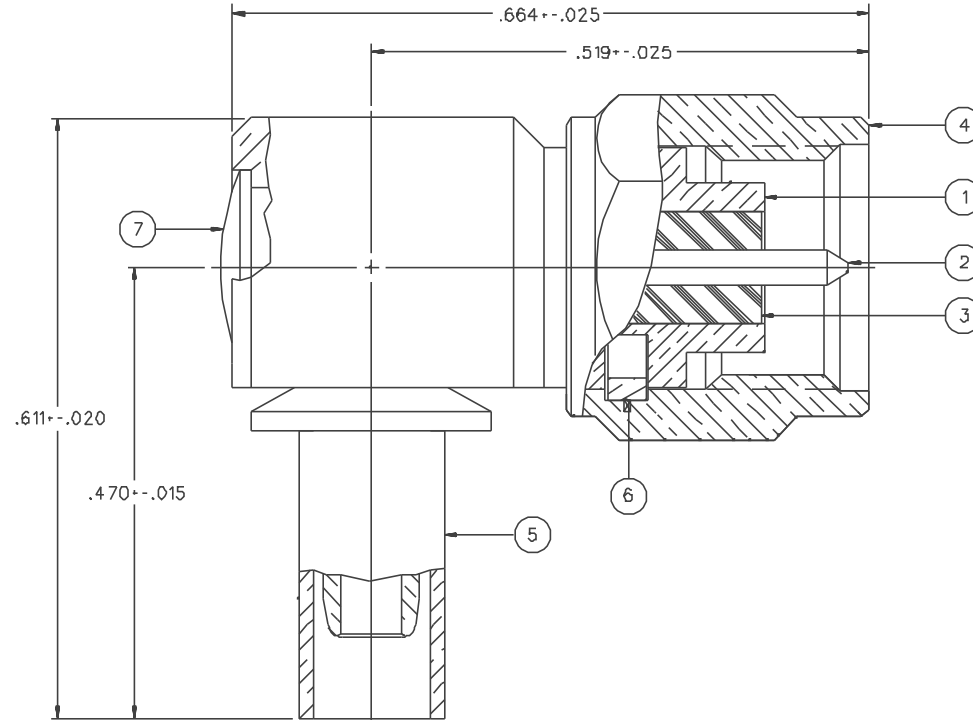
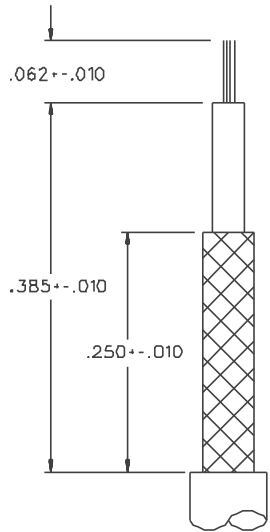


PART NUMBER	ITEM ① BODY	ITEM ② CONTACT	ITEM ③ INSULATOR	ITEM ④ HEX NUT	ITEM ⑤ CRIMP SLEEVE	ITEM ⑥ RETENTION SPRING	ITEM ⑦ END CAP
142-D403-101	BRASS GOLD PL .00001 MIN OVER NICKEL PL .00005 MIN OVER COPPER PL .00005 MIN	BRASS GOLD PL .00003 MIN OVER NICKEL PL .00005 MIN OVER COPPER PL .00005 MIN	TEFLON	BRASS GOLD PL .00001 MIN OVER NICKEL PL .00005 MIN OVER COPPER PL .00005 MIN	COPPER GOLD PL .00001 MIN OVER NICKEL PL .00005 MIN OVER COPPER PL .00005 MIN	BERYLLIUM COPPER UNPLATED	BRASS GOLD PL .00001 MIN OVER NICKEL PL .00005 MIN OVER COPPER PL .00005 MIN
142-D403-104	COPPER SILVER PL .00005 MIN OVER COPPER PL .000075 MIN	COPPER SILVER PL .00005 MIN OVER COPPER PL .000075 MIN OVER	TEFLON	COPPER SILVER PL .00005 MIN OVER COPPER PL .000075 MIN	COPPER SILVER PL .00005 MIN OVER COPPER PL .000075 MIN	BERYLLIUM COPPER UNPLATED	BRASS SILVER PL .00005 MIN OVER COPPER PL .000075 MIN
142-D403-106	BRASS NICKEL PL .0001 MIN OVER COPPER PL .00005 MIN	BRASS GOLD PL .00003 MIN OVER NICKEL PL .00005 MIN OVER COPPER PL .00005 MIN	TEFLON	BRASS NICKEL PL .0001 MIN OVER COPPER PL .00005 MIN	COPPER NICKEL PL .0001 MIN OVER COPPER PL .00005 MIN	BERYLLIUM COPPER UNPLATED	BRASS NICKEL PL .0001 MIN OVER COPPER PL .00005 MIN
142-D403-107	BRASS NICKEL PL .0001 MIN OVER COPPER PL .00005 MIN	BRASS GOLD PL .00003 MIN OVER NICKEL PL .00005 MIN OVER COPPER PL .00005 MIN	TEFLON	BRASS NICKEL PL .0001 MIN OVER COPPER PL .00005 MIN	_____	BERYLLIUM COPPER UNPLATED	BRASS NICKEL PL .0001 MIN OVER COPPER PL .00005 MIN



NOTES: **CABLE STRIP DIMENSIONS**

1. SPECIFICATIONS:
- IMPEDANCE: 50 OHMS
  - FREQUENCY RANGE: 0-12.4 GHZ
  - VSWR: 1.15+ .03F MAX (F IN GHZ)
  - WORKING VOLTAGE: 250 VRMS MAX AT SEA LEVEL
  - ELECTRIC WITHSTANDING VOLTAGE: 750 VRMS MIN AT SEA LEVEL
  - INSULATION RESISTANCE: 500D MEGOHM MIN
  - CONTACT RESISTANCE:
    - CENTER CONTACT - INITIAL 4.0 MILLIOHM MAX, AFTER ENVIRONMENTAL 6.0 MILLIOHM MAX
    - OUTER CONDUCTOR - INITIAL 2.0 MILLIOHM MAX, AFTER ENVIRONMENTAL NOT APPLICABLE
    - BODY TO CABLE - 0.5 MILLIOHM MAX (GOLD PLATED & SILVER PLATED), 5.0 MILLIOHM MAX (NICKEL PLATED)
  - CORONA LEVEL: 190 VOLTS MIN AT 70,000 FEET
  - INSERTION LOSS: .15 √ F (F IN GHZ) AT 6 GHZ
  - RF LEAKAGE: -60 DB MIN AT 2.5 GHZ
  - RF HIGH POTENTIAL WITHSTANDING VOLTAGE: 500 VRMS MIN AT 4 AND 7 MHZ
- MECHANICAL:
- ENGAGE/DISENGAGE TORQUE: 2 INCH-POUNDS MAX
  - MATING TORQUE: 7-10 INCH POUNDS
  - COUPLING PROOF TORQUE: 15 INCH-POUNDS MIN
  - COUPLING NUT RETENTION: 60 LBS MIN
  - CONTACT RETENTION: 6 LBS MIN
  - CABLE ACCEPTABILITY: RG 188/u, RG 174/u, RG 316/u, RG 161/u
  - CABLE HEX CRIMP SIZE: .128
  - CABLE RETENTION: 20 LBS MIN AXIAL FORCE
  - DURABILITY: 500 CYCLES MIN
- ENVIRONMENTAL:
- MEETS OR EXCEEDS THE APPLICABLE PARAGRAPH OF MIL-C-39012)
  - THERMAL SHOCK: MIL-STD-202, METHOD 107, CONDITION B, EXCEPT +85 DEG C HIGH TEMP
  - OPERATING TEMPERATURE: -65 DEG C TO 165 DEG C
  - CORROSION: MIL-STD-202, METHOD 101, CONDITION B
  - SHOCK: MIL-STD-202, METHOD 213, CONDITION 1
  - VIBRATION: MIL-STD-202, METHOD 204, CONDITION D
  - MOISTURE RESISTANCE: MIL-STD-202, METHOD 106

DRAWING NO. C - 142-0403-101/110	
0 REVISIONS	
ENGINEERING RELEASE	
01 03-08-89	E J R A W 04-12-89 ECO 23620
CHANGED: .664 +/- .025 WAS .675 +/- .010 .519 +/- .025 WAS .520 +/- .010 .611 +/- .020 WAS .626 +/- .010 .470 +/- .015 WAS .470 +/- .010, REVISED SPECS	
02 11-09-90	R J A W 11-20-90 ECO 24982
ADDED: P/N 142-0403-107 CHANGED: RF LEAK 2.5 GHZ WAS 2 TO 3 GHZ, RF HIGH POT 4 AND 7 MHZ WAS 5 TO 7.5 MHZ	
3 2-9-92	R J A W 2-13-92 ECO 40864
CHANGED: DRAWING WAS "D" SIZE	
4 4-12-92	R J A W 4-20-92 ECO 40912
VERSION UPDATE	
5 4-15-93	R J A W 4-21-93 ECO 41794
CHANGED: CABLE STRIP DIMENSION .065 +/- .010 WAS .062 +/- .010, .385 +/- .010 WAS .335 +/- .010 & .250 +/- .010 WAS .200 +/- .010, UPDATED GRAPHICS	
6 12-7-93	R J A W 12-22-93 ECO 42110
ADDED: P/N 142-0403-104	
6a 11-8-96	R J A W ECN 44453
CHANGED: P/N 142-0403-104 ITEMS 1, 2 AND 4 COPPER WAS BRASS	
6b 8-17-99	R J A W ECN 46418
VERSION UPDATE	
* REVISION NUMBER FOLLOWED BY AN ALPHA *	
* CHARACTER INDICATES DRAWING CHANGE *	
* CATION OR PART NUMBER ADDITION ONLY. *	
6c 3-20-01	R J A W ECN 47635

CUSTOMER DRAWING

THIS DRAWING TO BE INTERPRETED PER ANS Y14.5M - 1982

"μSTATION"

COMPANY CONFIDENTIAL

TOLERANCE UNLESS OTHERWISE SPECIFIED	DRAWN BY E J	DATE 8-12-87	 Cinch Connectivity Solutions 299 Johnson Ave. Ste. 100 Worcester, MA 01605 1-800-247-8256	
DECIMALS .XX	CHECKED BY	DATE	TITLE PLUG ASSEMBLY RA CABLED SMA, RG 316	
.XXX	APPROVED BY TAK	DATE 3-13-89	CODE NO.	DRAWING NO. C - 142-0403-101/110
MATL	APPROVED BY RJB	DATE 3-13-89	SCALE 8:1	U/M INCH SHEET 2 OF 2
FINISH	RELEASE DATE	4-12-89		