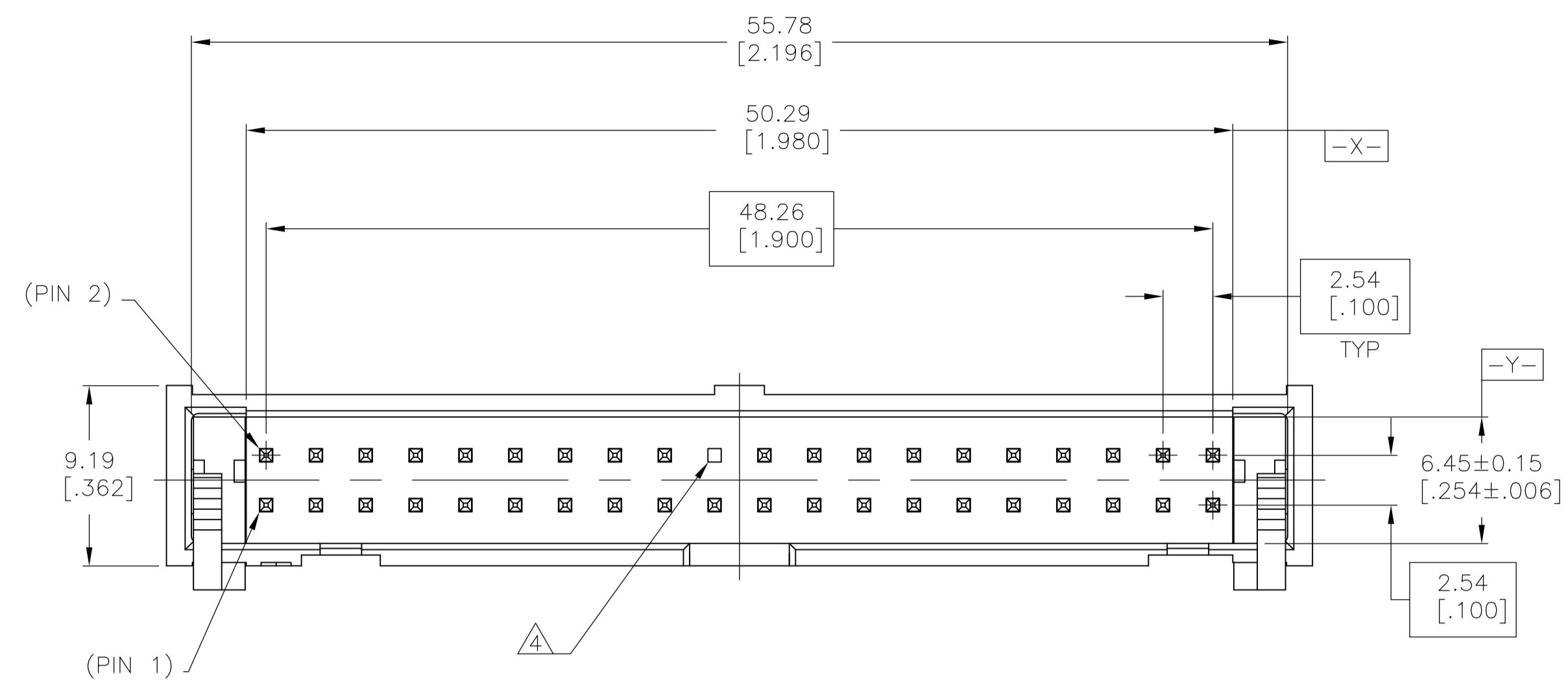
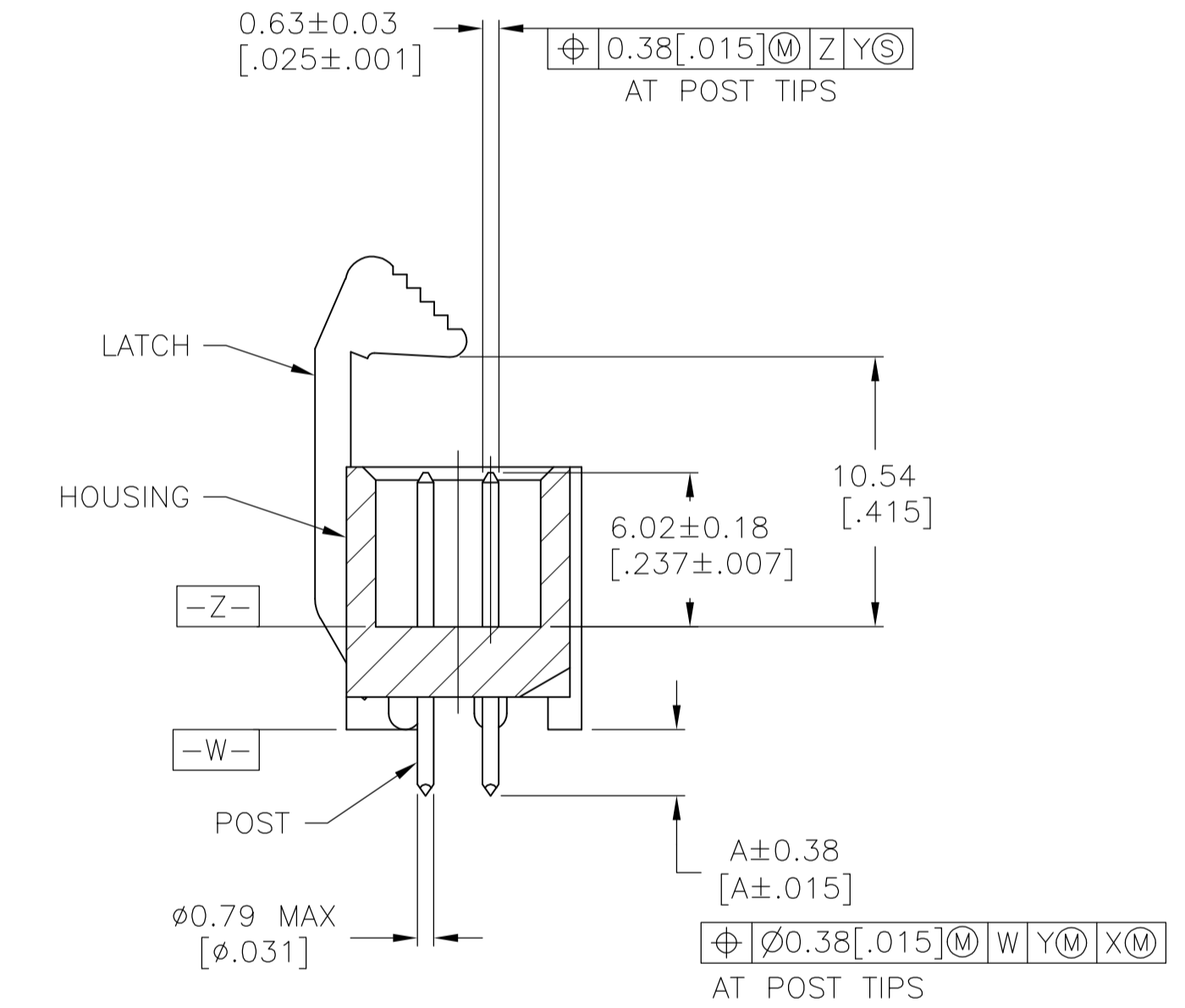
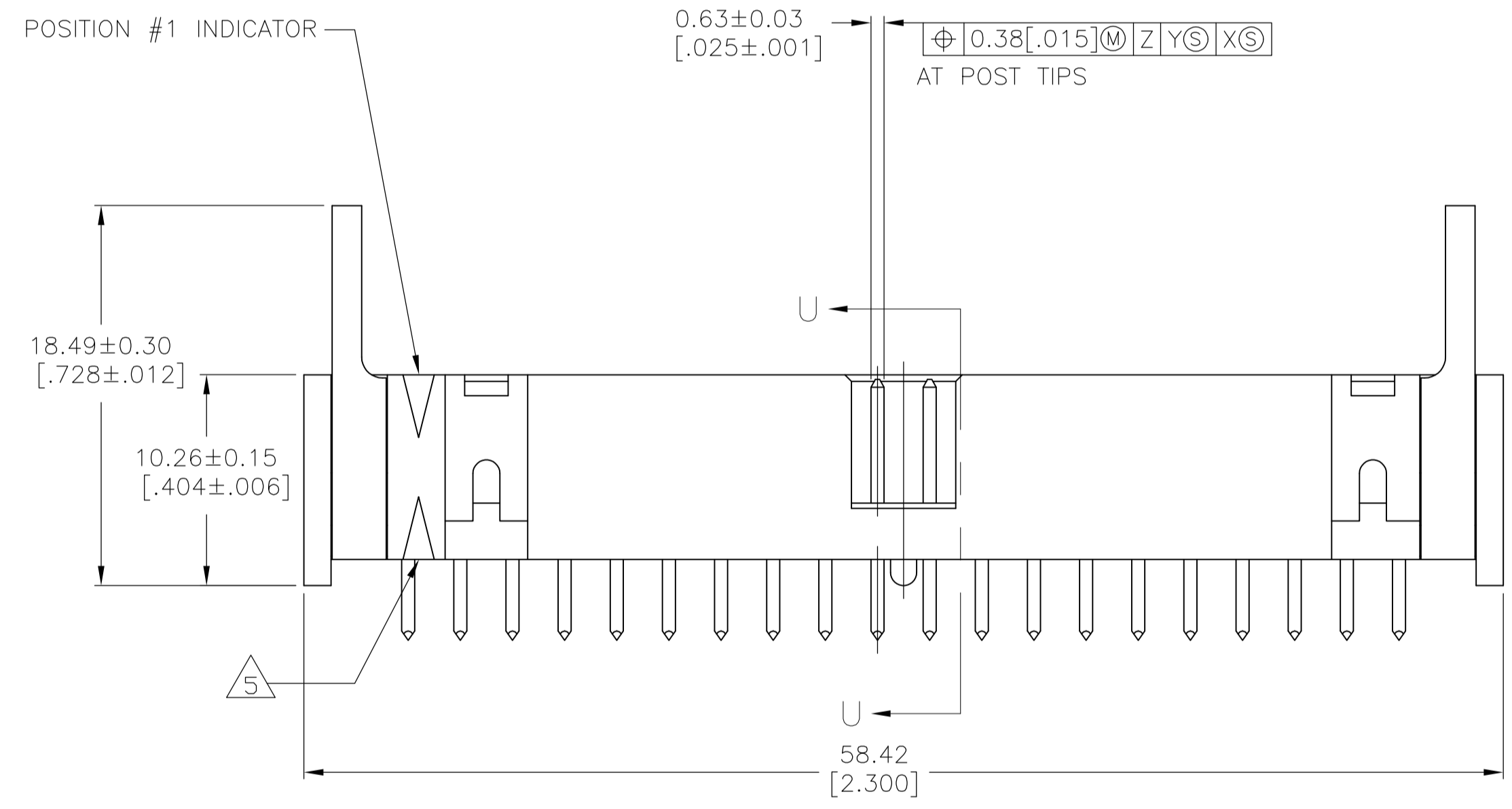


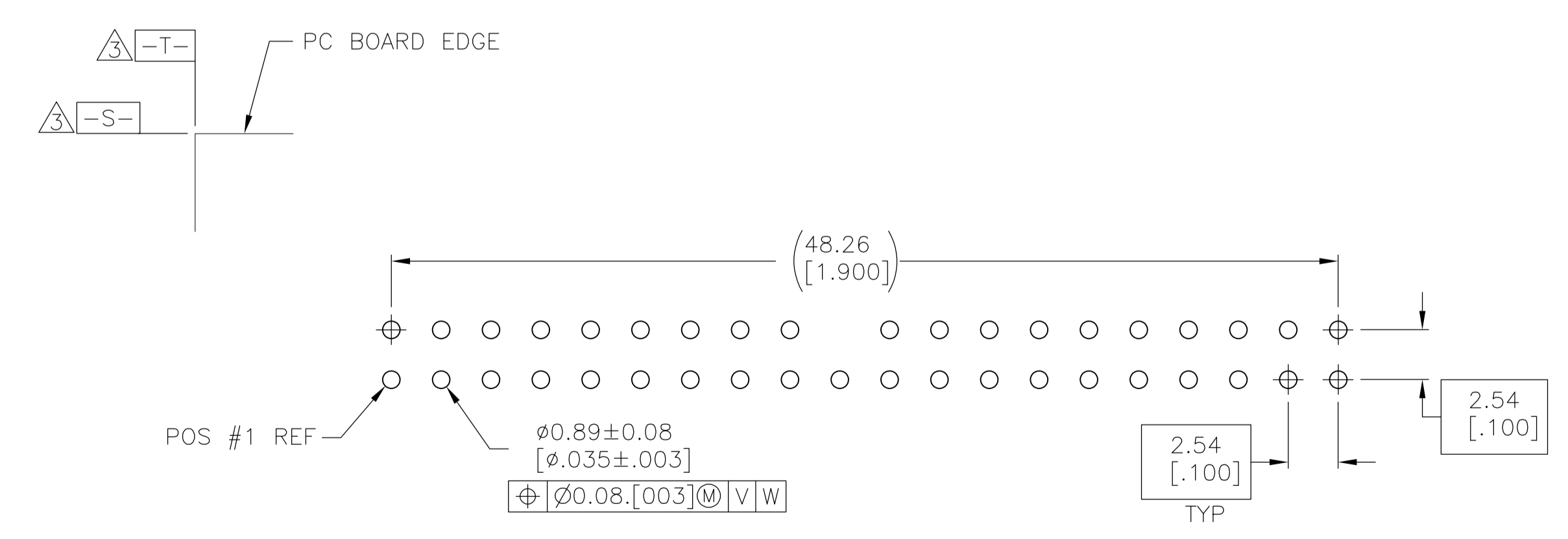
LOC		DIST		REVISONS			
GP	00	REV	DATE	BY	CHK	APP	REV
F		REVISED PER ECO-09-002944	19MAR2009	CR	SB		



- ① HOUSING: PBT, UL94V-0, COLOR: BLACK.  
POSTS: PHOSPHOR BRONZE.  
LATCHES: ZINC ALLOY.
- ② POSTS: GOLD FLASH OVER PALLADIUM-NICKEL PLATE, 0.76µm[.000030] MIN TOTAL ON MATING AREA, 2.54µm[.000100] MIN TIN PLATE ON SOLDER-TAIL, ALL OVER 1.27µm[.000050] MIN NICKEL UNDERPLATE ON ENTIRE POST.  
OR  
0.76µm[.000030] MIN GOLD PLATE ON MATING AREA, 2.54µm[.000100] MIN TIN PLATE ON THE SOLDER-TAIL, 1.27µm[.000050] MIN NICKEL UNDERPLATE ON THE ENTIRE POST.  
LATCHES: BLACK NICKEL OVER COPPER.
- ③ DATUMS S & T TO BE ESTABLISHED BY CUSTOMER.
- ④ PIN 20 OMITTED.
- ⑤ ALTERNATE LOCATION/ORIENTATION FOR POSITION #1 INDICATOR.



SECTION U-U



RECOMMENDED PC BOARD LAYOUT  
(VIEWED FROM CONNECTOR SIDE)

3.05 [.120]	1761678-2
2.59 [.102]	1761678-1
A	PART NUMBER

THIS DRAWING IS A CONTROLLED DOCUMENT.		DIN B. CRISAMORE/DJI 04SEP05		Tyco Electronics Corporation	
DIMENSIONS: mm [INCHES]		TOLERANCES UNLESS OTHERWISE SPECIFIED:		Tyco Electronics Corporation Harrisburg, PA 17105-3608	
0. PLC ± -	1. PLC ± -	2. PLC ± -	3. PLC ± 0.13[.005]	APPROVED: M. WALMSLEY 04SEP05	
4. PLC ± -	ANGLES ± -	NAME: M. WALMSLEY		PRODUCT SPEC: 108-40018	
MATERIAL: ①		FINISH: ②		APPLICATION SPEC: -	
CUSTOMER DRAWING		SCALE: 4:1		SHEET 1 OF 1	
WEIGHT: -		SIZE: A1		DRAWING NO: 00779	
REVISIONS: -		PART NO: 1761678		REV: F	