

THIS DRAWING IS UNPUBLISHED.

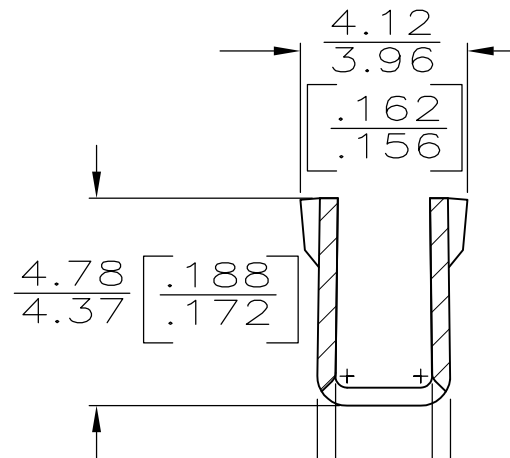
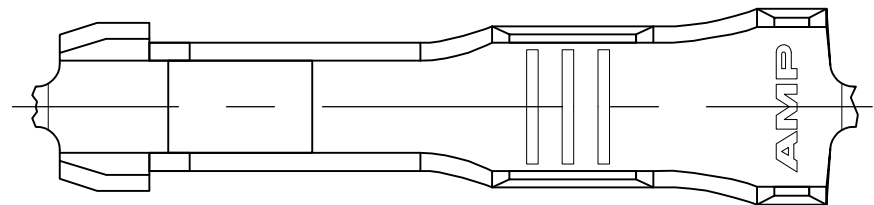
RELEASED FOR PUBLICATION

REVISIONS

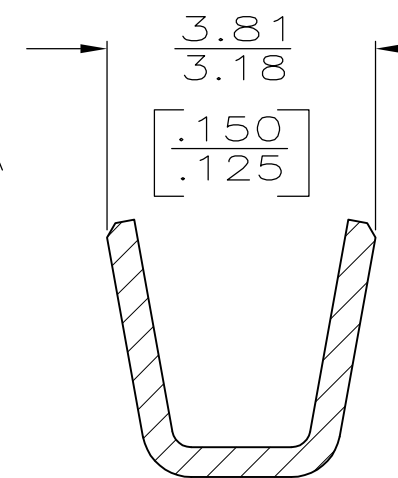
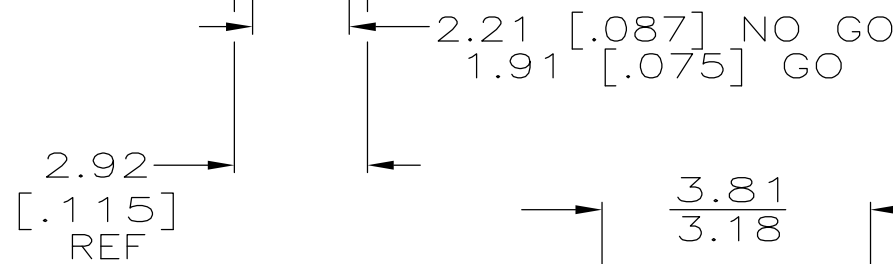
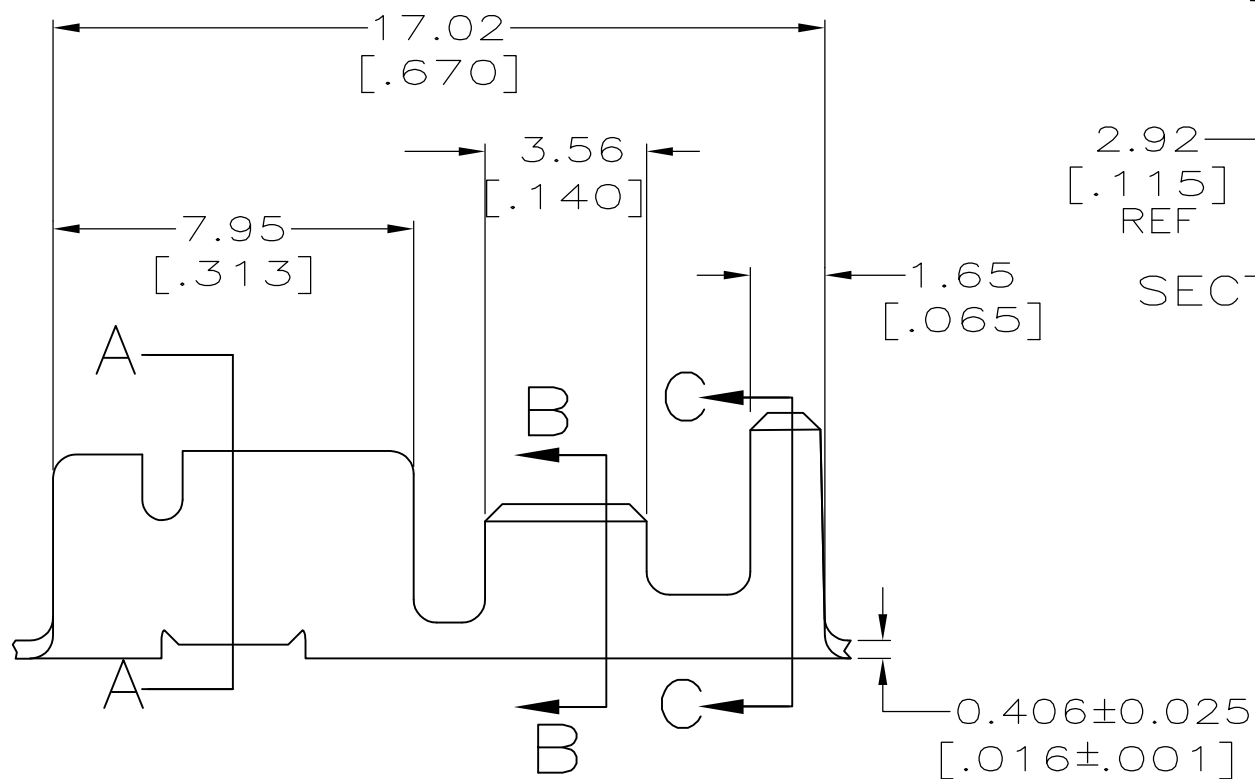
© COPYRIGHT - By -

ALL RIGHTS RESERVED.

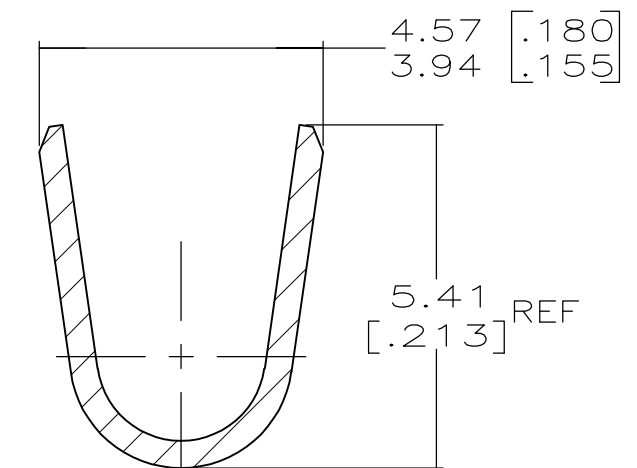
P	LTR	DESCRIPTION	DATE	DWN	APVD
	A1	RELEASED AS PER ECR-17-004420	28MAR2017	MKD	PKS



- 1 CONTINUOUS STRIP ON REEL.
- 2 WIRE SIZE IS 18-14 AWG
- 3 INSULATION RANGE IS 2.03-3.81 [.080-.150] DIA.
- △ 4 0.002032 [.000080] MIN TIN PL
- △ 5 PACKAGING QUANTITY IN REEL. 15000 PCS/REEL



SECTION B-B SCALE 10:1



SECTION C-C SCALE 10:1

H03 PHOS BRONZE		△ 4	△ 5 2825313-1		
MATERIAL		FINISH		PART NO	
DWN DHANESH 02DEC2015		TE Connectivity RECEPTACLE, CLUSTER PIN, 2.29 [.090] DIA			
CHK DHANESH 02DEC2015					
APVD RAJENDRA 02DEC2015					
PRODUCT SPEC 108-2008					
APPLICATION SPEC 114-2019		SIZE	CAGE CODE	DRAWING NO	RESTRICTED TO
WEIGHT 0		A3	-	C-2825313	-
CUSTOMER DRAWING		SCALE 6:1	SHEET 1 OF 1	REV A1	

THIS DRAWING IS A CONTROLLED DOCUMENT.	
DIMENSIONS: INCHES	TOLERANCES UNLESS OTHERWISE SPECIFIED:
	0 PLC ± -
	1 PLC ± -
	2 PLC ± 0.25 [.010]
	3 PLC ± -
	4 PLC ± -
	ANGLES ± -
MATERIAL SEE TABLE	FINISH SEE TABLE