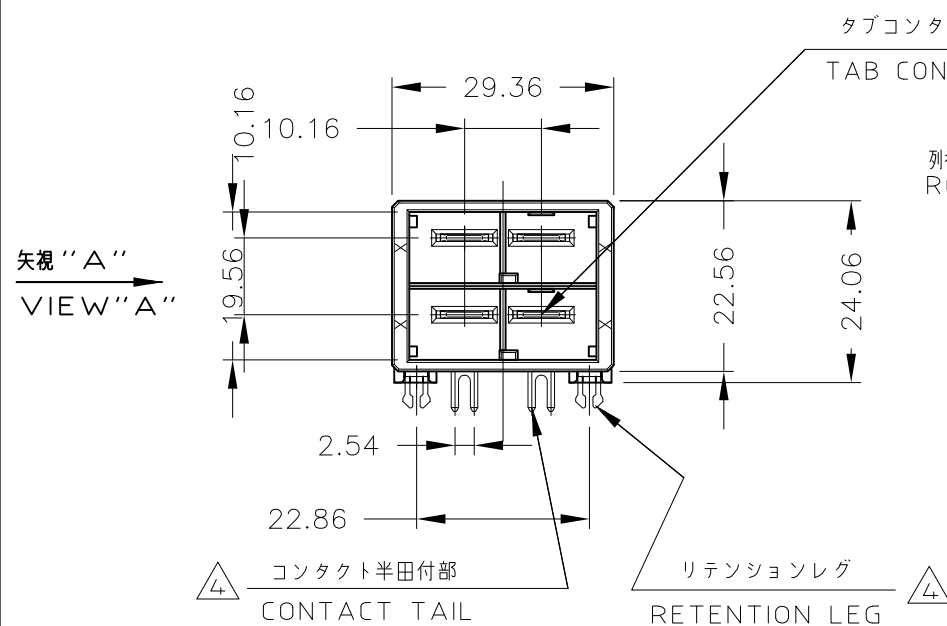
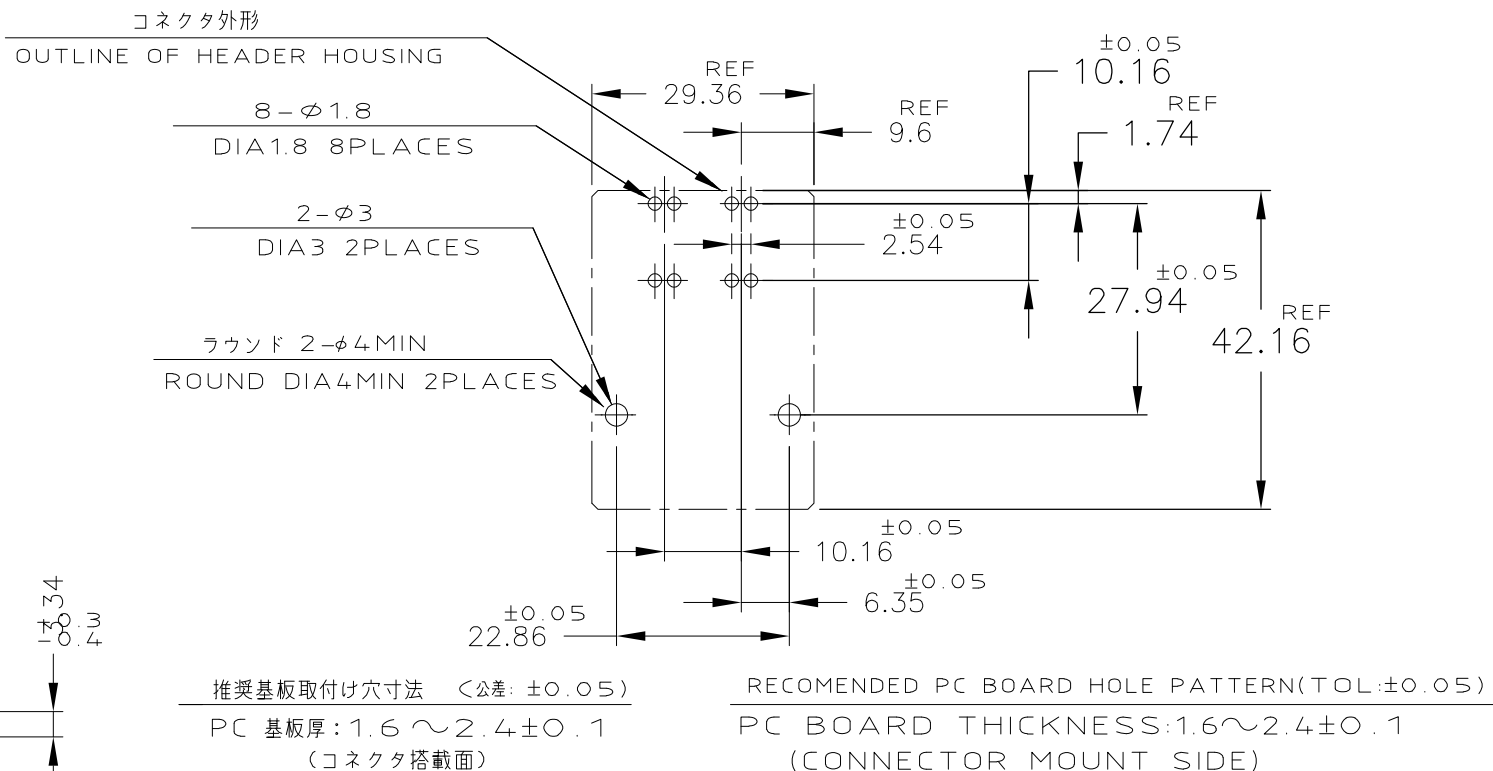
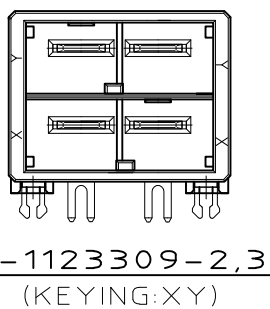
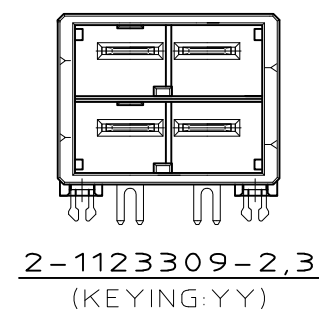
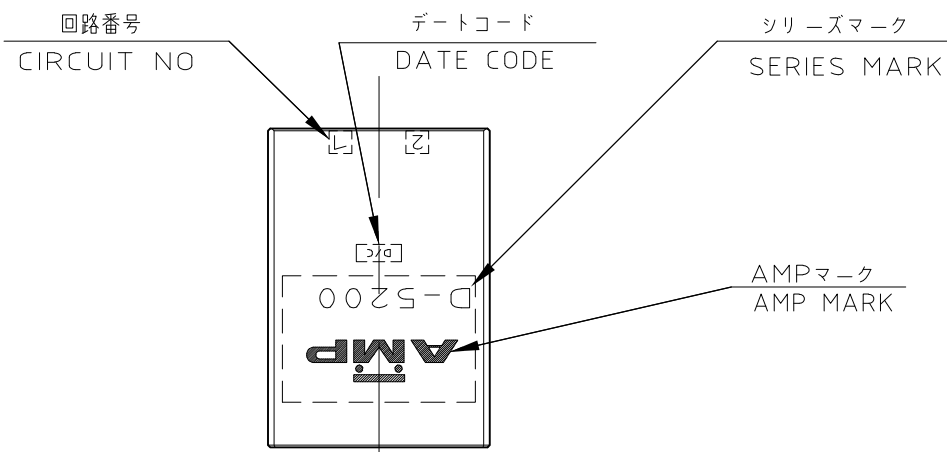
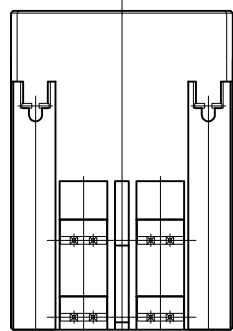


THIS DRAWING IS UNPUBLISHED. RELEASED FOR PUBLICATION
 © COPYRIGHT 1997 By Tyco Electronics Japan G.K. ALL RIGHTS RESERVED.

| LOC | DIST | REVISIONS | | | | | |
|-----|------|-----------|-----|-------------|-----------|-----|------|
| | | P | LTR | DESCRIPTION | DATE | DWN | APVD |
| J | - | | D | REVISED | 05SEP2012 | H.M | N.Y |



1-1123309-2,3
(KEYING:XX)



矢視 "A"
VIEW "A"

- 1. MATERIAL: HOUSING: GLASS FILED THERMO PLASTIC, POLYESTER(94V-0), COLOR: BLACK
- TAB CONTACT: COPPER ALLOY
- RETENTION LEG: BRASS
- △2. FINISH (CONTACT AREA): 0.38 μm MIN GOLD PLATING OVER Ni PLATING
- △3. FINISH (CONTACT AREA): 0.76 μm MIN GOLD PLATING OVER Ni PLATING
- △4. FINISH (RETENTION LEG): TIN PLATED (CONTACT TAIL) OVER NICKEL
- △5. OBSOLETE PARTS : OBSOLETE CIS STREAMLINING PER D.RENAUD/D.SINISI
- △6. FINISH (CONTACT AREA) : ALL OVER 2.54 μm MIN SILVER PLATING OVER Ni PLATING

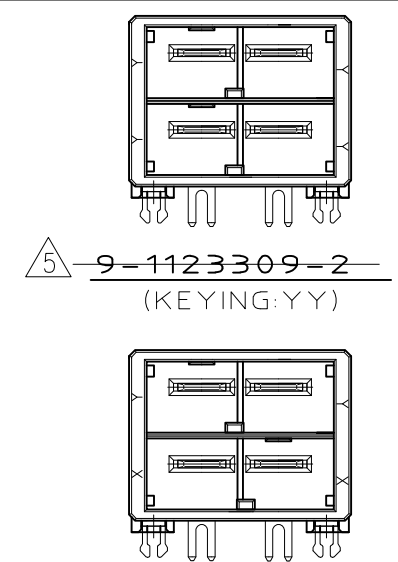
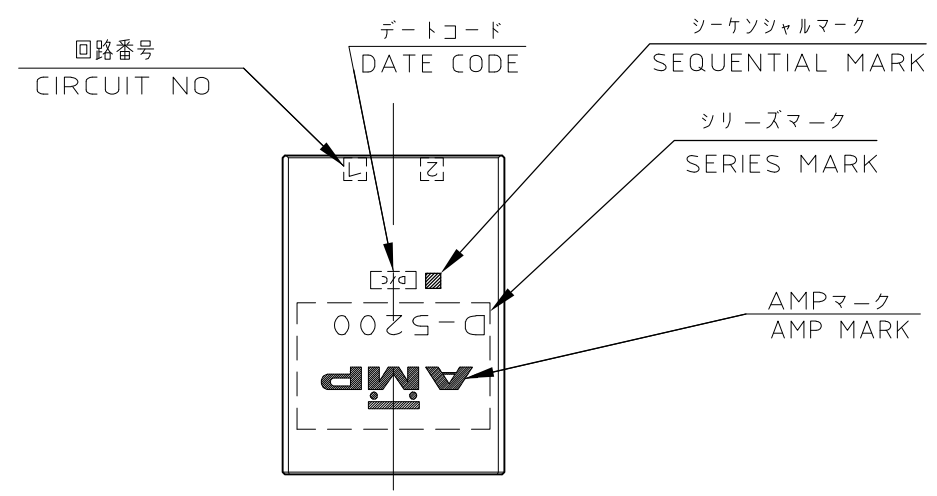
- 1. 材料: ハウジング : ガラス入り熱可塑性ポリエステル樹脂(94V-0)、色: 黒
- : タブコンタクト : 銅合金
- : リテンションレグ : 黄銅
- △2. めっき: コンタクト: 全面Ni下地 接触部 : 0.38 μm MIN 金めっき
- △3. めっき: コンタクト: 全面Ni下地 接触部 : 0.76 μm MIN 金めっき
- △4. めっき: リテンションレグとコンタクト半田付部 : ニッケル下地の上にスズめっき
- △6. めっき: コンタクト: 全面Ni下地の上に2.54 μm MIN 全面銀めっき

| | | |
|----------|--------------------|-----------------|
| XY | △4 △3 | 3-1123309-3 |
| | △4 △2 | 3-1123309-2 |
| YY | △4 △3 | 2-1123309-3 |
| | △4 △2 | 2-1123309-2 |
| XX | △4 △6 | 1-1123309-4 |
| | △4 △3 | 1-1123309-3 |
| | △4 △2 | 1-1123309-2 |
| KEY TYPE | コンタクトのめっき (FINISH) | 製品番号 (PART NO.) |

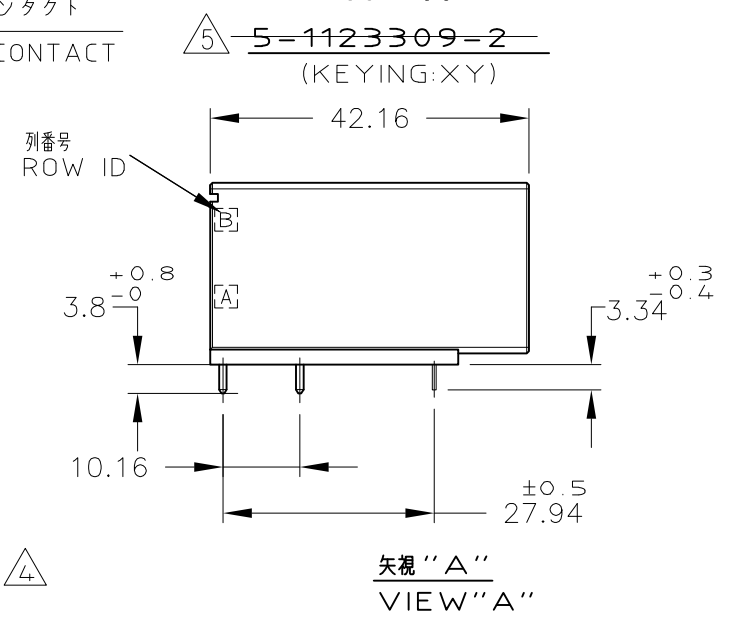
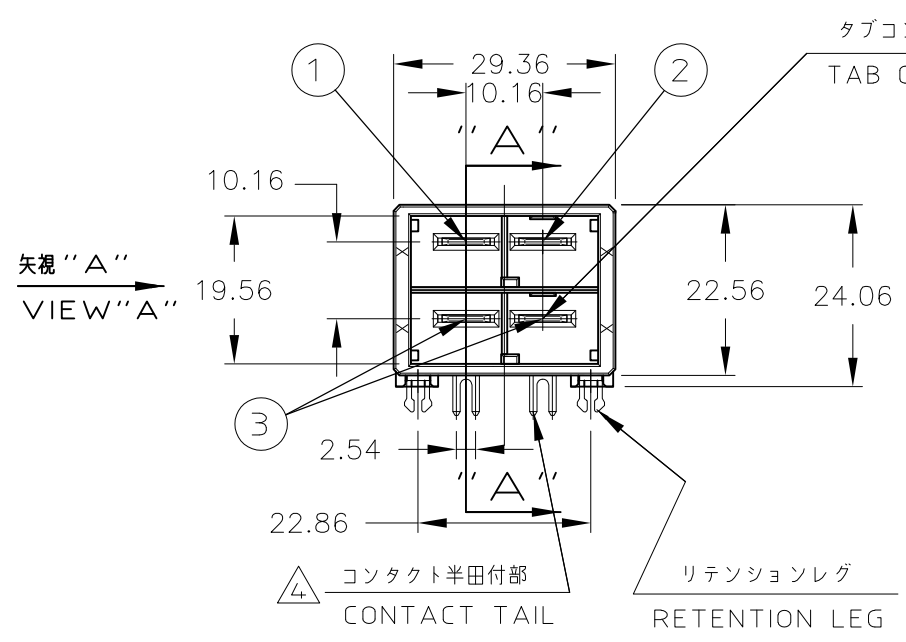
| | | | | |
|--|--|---------------------------------|--|--------------------|
| THIS DRAWING IS A CONTROLLED DOCUMENT. | | DWN K.IKEDA 07NOV1997 | TE Connectivity | |
| DIMENSIONS: mm | | CHK N.MATSUBARA 26NOV1997 | | |
| TOLERANCES UNLESS OTHERWISE SPECIFIED: | | APVD S.MANABE 10DEC1997 | NAME DOUBLE ROW HEADER ASSY 4P H-TYPE DYNAMIC D-5200 D | |
| | | PRODUCT SPEC 108-5453 | RESTRICTED TO | |
| MATERIAL SEE NOTE | | APPLICATION SPEC 114-5246 | SIZE A3 | CAGE CODE 00779 |
| FINISH SEE NOTE | | WEIGHT | DRAWING NO C-1123309 | REV D |
| CUSTOMER DRAWING | | | SCALE 1:1 | SHEET 1 OF 2 |

THIS DRAWING IS UNPUBLISHED. RELEASED FOR PUBLICATION
 © COPYRIGHT 1997 By Tyco Electronics Japan G.K. ALL RIGHTS RESERVED.

| LOC | DIST | REVISIONS | | | | | |
|-----|------|-----------|-----|-------------|------|-----|------|
| J | - | P | LTR | DESCRIPTION | DATE | DWN | APVD |
| | | - | | SEE SHEET 1 | - | - | - |

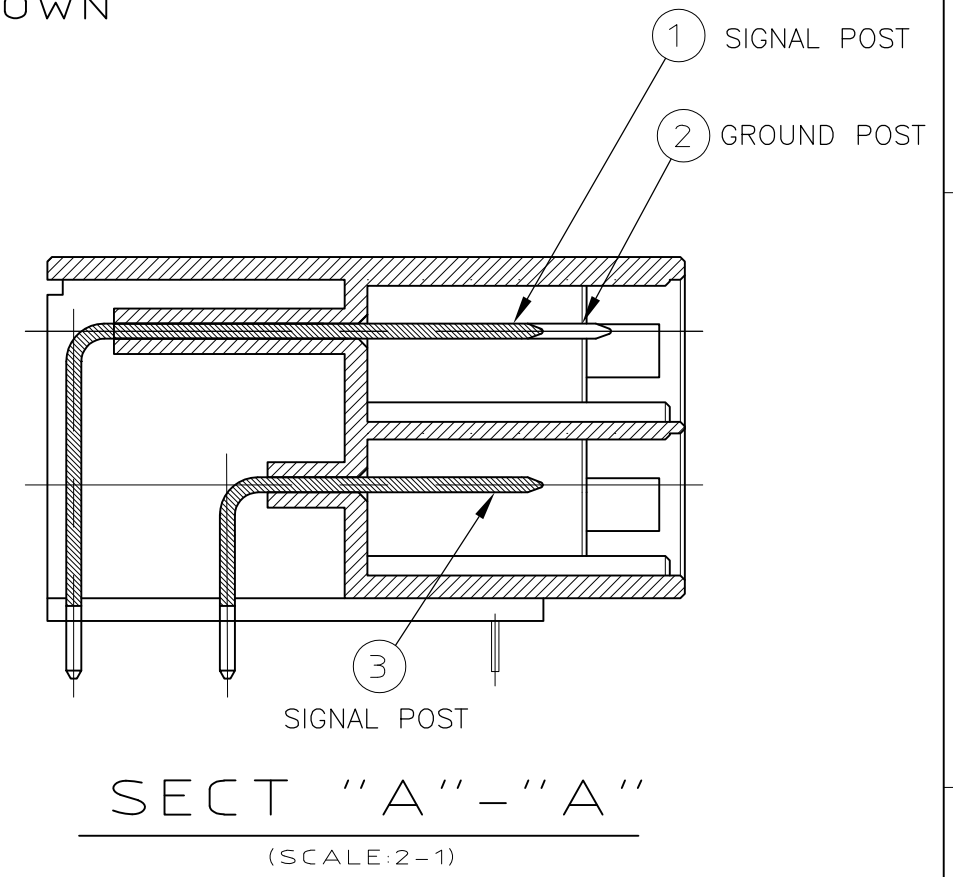


5,8,9-1123309-2;AS SHOWN
 SEQUENTIAL TYPE

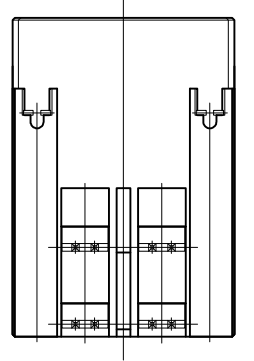


| | | |
|-----|----------|----------|
| | 回路番号 | |
| | 1 | 2 |
| B 列 | ① Signal | ② Ground |
| A 列 | ③ Signal | ③ Signal |

POINT OF SEQUENTIAL



8-1123309-2
 (KEYING:XX)



- MATERIAL:HOUSING:GLASS FILED THERMO PLASTIC ,POLYESTER(94V-0),COLOR:BLACK
 TAB CONTACT:COPPER ALLOY
 RETENTION LEG:BRASS
- FINISH(CONTACT AREA):0.38μmMIN GOLD PLATING OVER Ni PLATING
- FINISH(CONTACT AREA):0.76μmMIN GOLD PLATING OVER Ni PLATING
- FINISH(RETENTION LEG): TIN PLATED (CONTACT TAIL) OVER NICKEL
- OBSOLETE PARTS : OBSOLETE CIS STREAMLINING PER D.RENAUD/D.SINISI

- 材料:ハウジング : ガラス入り熱可塑性ポリエステル樹脂(94V-0)、色:黒
 :タブコンタクト : 銅合金
 :リテンションレグ : 黄銅
- めっき:コンタクト:全面Ni下地 接触部 :0.38μm MIN 金めっき
- めっき:コンタクト:全面Ni下地 接触部 :0.76μm MIN 金めっき
- めっき:リテンションレグとコンタクト半田付部 : ニッケル下地の上にスズめっき

| | | | |
|----------|--------------------|-----------------|---------------|
| XY | ④ ② | 5-1123309-2 | ⑤ OBSOLETE |
| YY | ④ ② | 9-1123309-2 | |
| XX | ④ ② | 8-1123309-2 | |
| KEY TYPE | コンタクトのめっき (FINISH) | 製品番号 (PART NO.) | |

| | | | | |
|---|--|---------------------------|--|-----------------|
| THIS DRAWING IS A CONTROLLED DOCUMENT. | | DWN K.IKEDA 07NOV1997 | TE Connectivity | |
| DIMENSIONS: mm | | CHK N.MATSUBARA 26NOV1997 | | |
| TOLERANCES UNLESS OTHERWISE SPECIFIED: | | APVD S.MANABE 10DEC1997 | NAME | |
| 0 PLC ± 10 ₂ ± 0.3 1 PLC ± 30 ₂ > 10 ± 0.35 2 PLC ± 100 ₂ > 30 ± 0.4 3 PLC ± 4 PLC ANGLES ± 3° | | PRODUCT SPEC 108-5453 | DOUBLE ROW HEADER ASSY 4P H-TYPE DYNAMIC D-5200 D | |
| MATERIAL SEE NOTE | | FINISH SEE NOTE | APPLICATION SPEC 114-5246 | RESTRICTED TO |
| | | WEIGHT | SIZE A3 | CAGE CODE 00779 |
| | | | DRAWING NO C-1123309 | SCALE 1:1 |
| | | | SHEET 2 OF 2 | REV D |