

Type 2 surge protection device - VAL-MS 600DC/2+V-FM - 2800195

Please be informed that the data shown in this PDF Document is generated from our Online Catalog. Please find the complete data in the user's documentation. Our General Terms of Use for Downloads are valid (<http://phoenixcontact.com/download>)



Surge arrester for 2-pos. isolated and grounded DC voltage systems 600 V DC, for DIN rail mounting, 3-pos. base element (L+, L-, ground) with remote indication contact, three pluggable temperature-monitored varistors, status message on each connector.

The product photo shows a version for 1000 VDC

Product Features

- ✓ Plugs can be checked with CHECKMASTER
- ✓ With or without floating remote indication contact
- ✓ Optical, mechanical status indication for the individual arresters
- ✓ Mechanical coding of all slots
- ✓ Type 2 consistent plug-in surge arresters



Key commercial data

Packing unit	1 pc
Weight per Piece (excluding packing)	320.0 GRM
Custom tariff number	85363010
Country of origin	Germany

Technical data

Dimensions

Height	99 mm
Width	53.4 mm
Depth	65.5 mm
Horizontal pitch	3 Div.

Ambient conditions

Degree of protection	IP20
----------------------	------

Type 2 surge protection device - VAL-MS 600DC/2+V-FM - 2800195

Technical data

Ambient conditions

Ambient temperature (operation)	-40 °C ... 80 °C
---------------------------------	------------------

General

Housing material	PBT / PA
Inflammability class according to UL 94	V0
Color	black
Standards for air and creepage distances	DIN EN 60664-1
	DIN EN 61643-11
Mounting type	DIN rail: 35 mm
Type	DIN rail module, two-section, divisible
Number of positions	3
Surge protection fault message	Optical, remote indicator contact
Direction of action	(L+)-PE & (L-)-PE & (L+)-(L-)

Protective circuit

IEC test classification	II
	T2
EN type	T2
Nominal voltage U_N	600 V DC (Non-load voltage U_{OC})
Maximum continuous operating voltage U_C	600 V DC
Rated load current I_L	≤ 80 A DC
Residual current I_{PE}	≤ 20 μ A
Standby power consumption P_C	≤ 12 mW
Max. discharge current I_{max} (8/20) μ s	40 kA
Nominal discharge current I_n (8/20) μ s	15 kA
Voltage protection level U_p	≤ 3 kV (15 kA)
	≤ 3.6 kV (20 kA)
Voltage protection level U_p (L+) - (L-)	≤ 3 kV
Voltage protection level U_p (L+/L-) - PE	≤ 3 kV
Residual voltage	≤ 2.5 kV (at 5 kA)
Residual voltage (L+) - (L-)	≤ 2.5 kV (at 5 kA)
Residual voltage (L+/L-) - PE	≤ 2.5 kV (at 5 kA)
Response time	≤ 25 ns

PV protective circuit DC side

Short-circuit current rating I_{SCPV}	80 A
---	------

Connection, protective circuit

Connection method	Screw connection
-------------------	------------------

Type 2 surge protection device - VAL-MS 600DC/2+V-FM - 2800195

Technical data

Connection, protective circuit

Connection type IN	Biconnect screw terminal block
Connection type OUT	Biconnect screw terminal block
Connection method	Biconnect terminal block
Screw thread	M5
Tightening torque	4.5 Nm
	30 lb _F -in. (UL)
Stripping length	16 mm
Conductor cross section stranded min.	1.5 mm ²
Conductor cross section stranded max.	25 mm ²
Conductor cross section solid min.	1.5 mm ²
Conductor cross section solid max.	35 mm ²
Conductor cross section AWG/kcmil min.	15
Conductor cross section AWG/kcmil max	2
AWG conductor cross section	10 ... 2 (UL)

Remote indicator contact

Switching function	PDT, 1-pos.
Connection method	MC 1,5/3
Screw thread	M2
Tightening torque	0.25 Nm
	4 lb _F -in. (UL)
Stripping length	7 mm
Conductor cross section stranded min.	0.14 mm ²
Conductor cross section stranded max.	1.5 mm ²
Conductor cross section solid min.	0.14 mm ²
Conductor cross section solid max.	1.5 mm ²
Conductor cross section AWG/kcmil min.	28
Conductor cross section AWG/kcmil max	16
AWG conductor cross section	30 ... 14 (UL)
Maximum operating voltage U _{max} AC	250 V AC
Max. operating current I _{max}	1.5 A AC (250 V AC)
	1.5 A DC (30 V DC)

Standards and Regulations

Standards/regulations	DIN EN 61643-11/A11 2007
	IEC 61643-1 2005
	IEC 60364-7-712 2002

Type 2 surge protection device - VAL-MS 600DC/2+V-FM - 2800195

Classifications

eCl@ss

eCl@ss 4.0	27140201
eCl@ss 4.1	27130801
eCl@ss 5.0	27130801
eCl@ss 5.1	27130801
eCl@ss 6.0	27130805
eCl@ss 7.0	27130805
eCl@ss 8.0	27130805

ETIM

ETIM 2.0	EC000941
ETIM 3.0	EC000941
ETIM 4.0	EC000941
ETIM 5.0	EC000941

UNSPSC

UNSPSC 6.01	30212010
UNSPSC 7.0901	39121610
UNSPSC 11	39121610
UNSPSC 12.01	39121610
UNSPSC 13.2	39121620

Approvals

Approvals

Approvals

UL Recognized / cUL Recognized / cULus Recognized

Ex Approvals

Approvals submitted

Approval details

Type 2 surge protection device - VAL-MS 600DC/2+V-FM - 2800195

Approvals

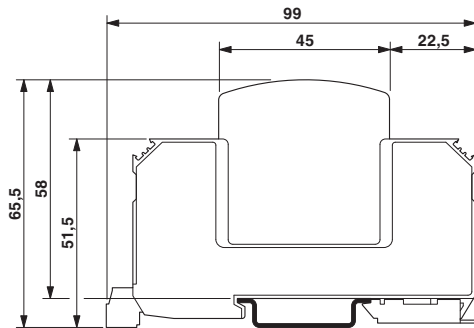
UL Recognized

cUL Recognized

cULus Recognized

Drawings

Dimensioned drawing



Circuit diagram

